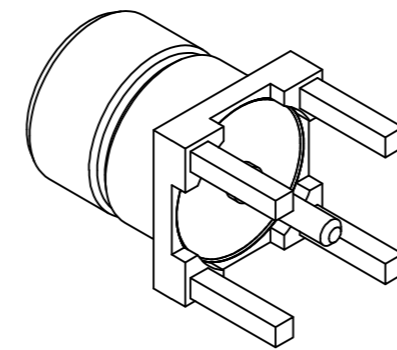


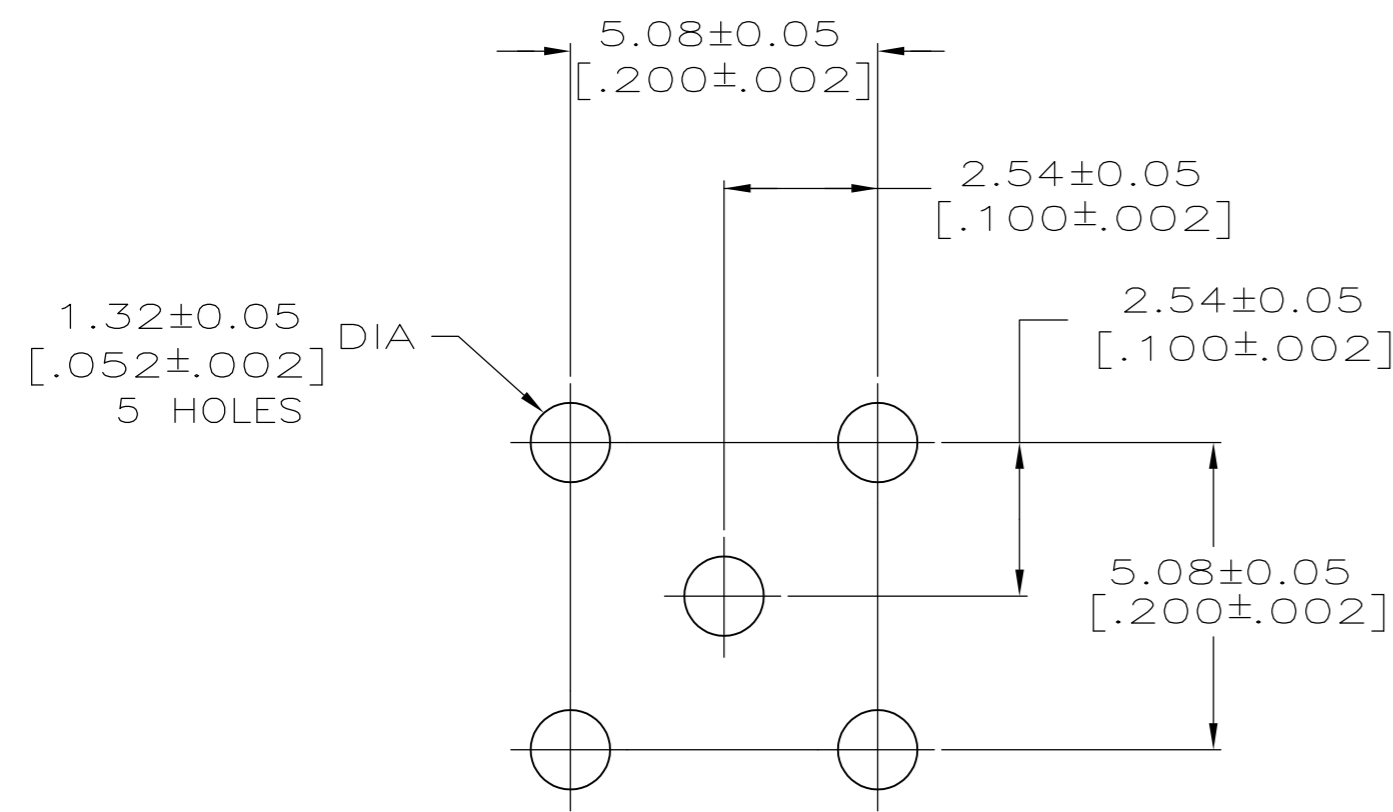
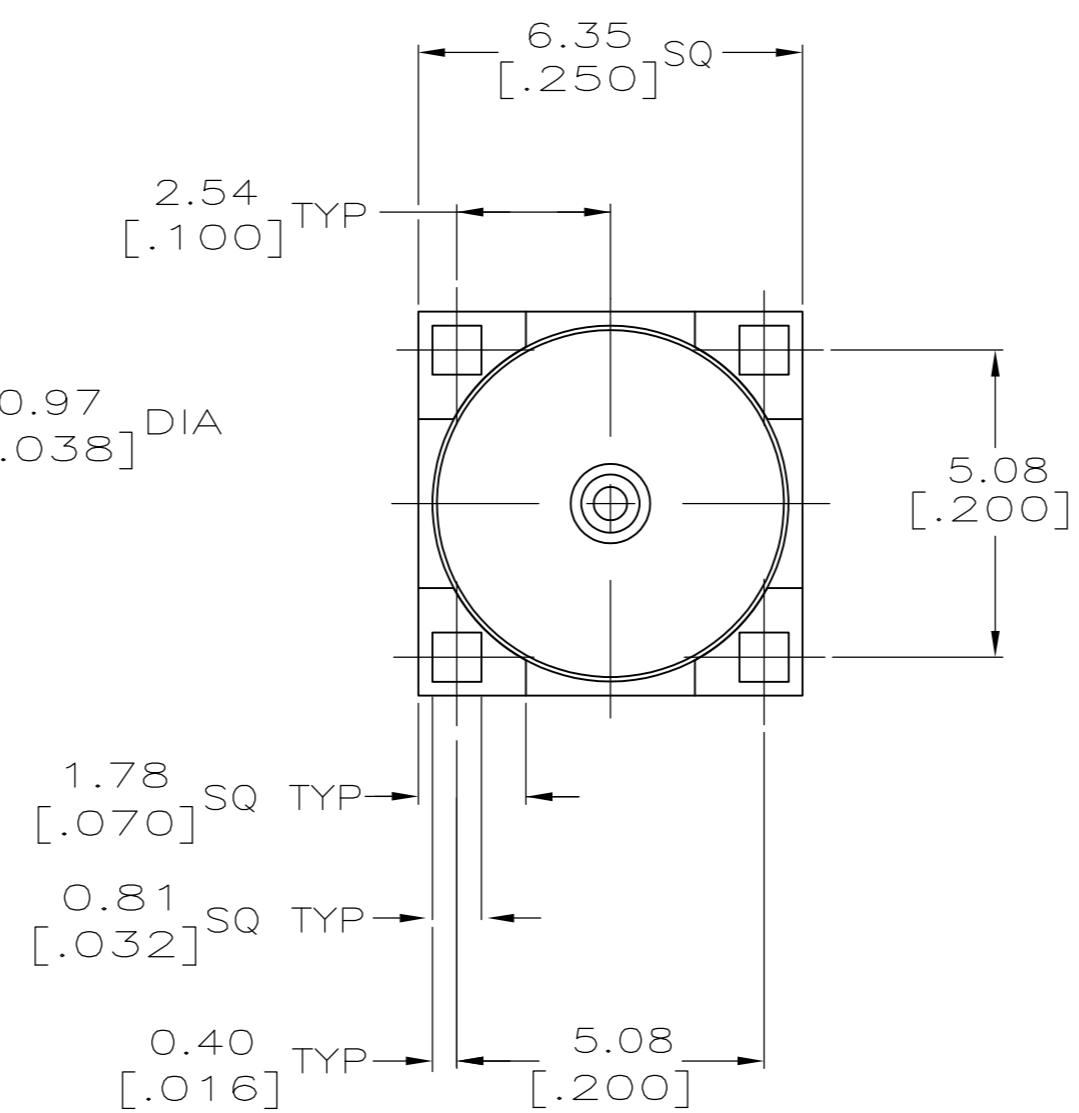
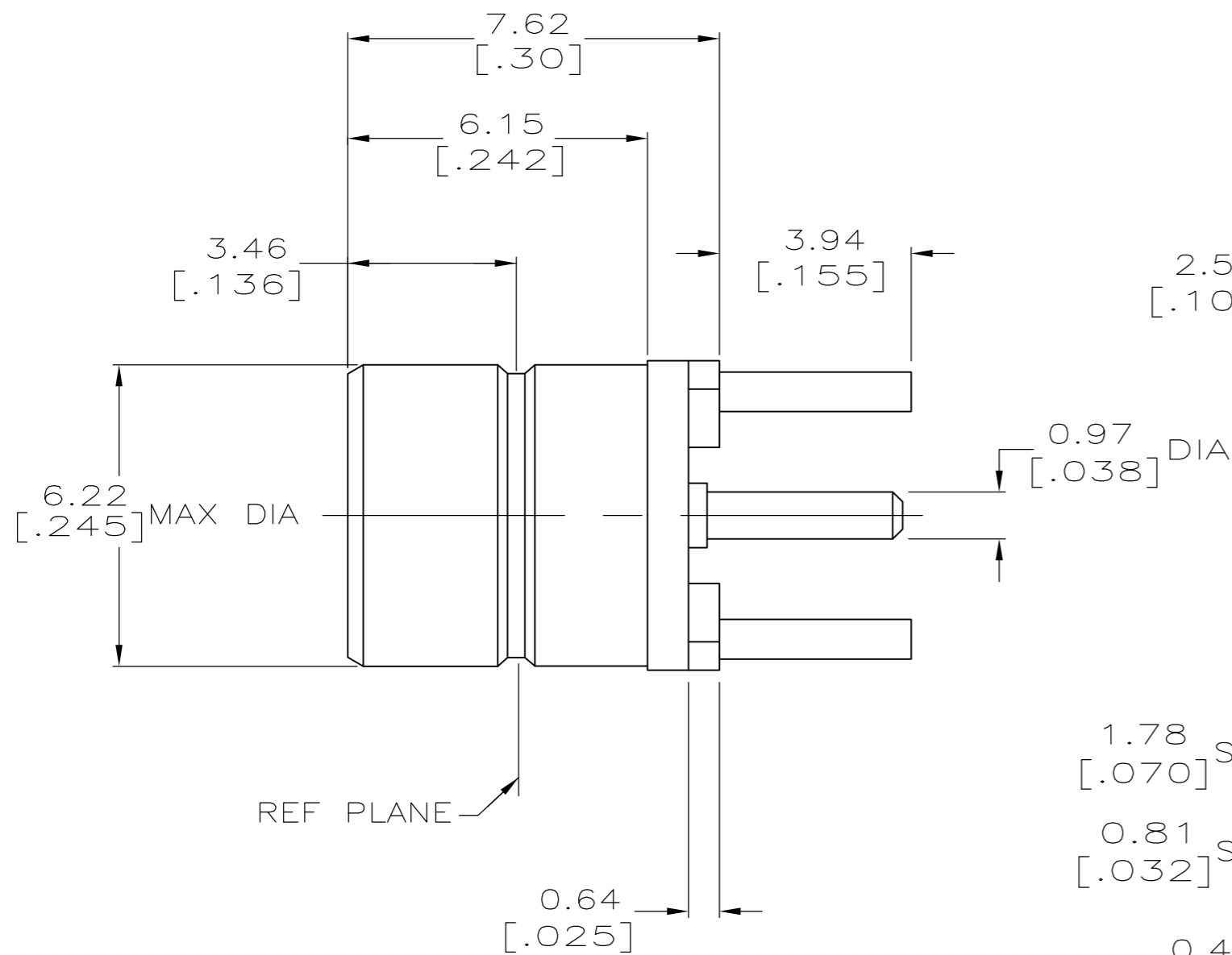
THIS DRAWING IS UNPUBLISHED. RELEASED FOR PUBLICATION  
 © COPYRIGHT - By - ALL RIGHTS RESERVED.

LOC	DIST	REVISIONS			
P	LTR	DESCRIPTION	DATE	DWN	APVD
AJ	16	E1	ECR-12-005726	27MAR12	RK MY



ISOMETRIC VIEW

- 1 BRASS PER ASTM-B-453
- 2 PTFE PER ASTM-D-1710
- 3 GOLD PLATE PER MIL-G-45204 OVER NICKEL PLATE PER QQ-N-290.
- 4 NICKEL PLATE PER QQ-N-290 OVER COPPER PER MIL-C-14550.
- 5 GOLD PLATE PER MIL-G-45204 .000050 MIN THK OVER NICKEL PLATE PER QQ-N-290.
- 6 TIN PLATE PER ASTM B 545.
- 7 TIN PLATE PER ASTM-B-545 .000050 MIN THK OVER NICKEL PLATE PER QQ-N-290



RECOMMENDED PCB CONFIGURATION

SUPERSEDED BY 414244-1  
 SUPERSEDED BY 414244-4

---	3	7	9-414244-0
---	3	6	414244-4
---	5	5	414244-3
---	3	4	414244-2
---	3	3	414244-1
DIELECTRIC 2	CONTACT 1	BODY 1	ASSY NO
FINISH			

DIMENSIONS: INCHES		TOLERANCES UNLESS OTHERWISE SPECIFIED:		MATERIAL		FINISH		MATERIAL		WEIGHT		SCALE		SHEET		REV					
0 PLC	± -	1 PLC	± -	2 PLC	± 0.25[.01]	3 PLC	± 0.130[.005]	4 PLC	± -	ANGLES	± -	FINISH	SEE TABLE	WEIGHT	-	SCALE	8:1	SHEET	1 of 1	REV	E1
THIS DRAWING IS A CONTROLLED DOCUMENT.										DWN K. RIELY 1/6/92		CHK G. MICHAEL 1/6/92		APVD K. HEILIG 01-07-92		NAME		TE Connectivity			
MATERIAL SEE TABLE										PRODUCT SPEC		APPLICATION SPEC		SIZE A2		CAGE CODE 00779		DRAWING NO C-414244		RESTRICTED TO	
SEE TABLE										FINISH		SEE TABLE		CUSTOMER DRAWING		SCALE 8:1		SHEET 1 of 1		REV E1	

414244

单击下面可查看定价，库存，交付和生命周期等信息

[>>TE Connectivity\(泰科\)](#)