

4

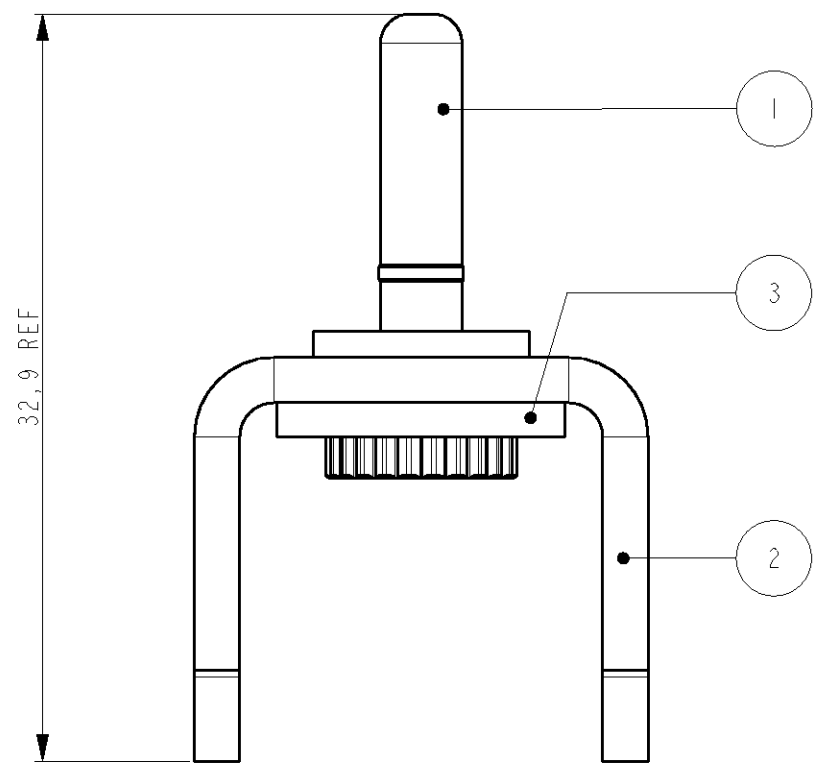
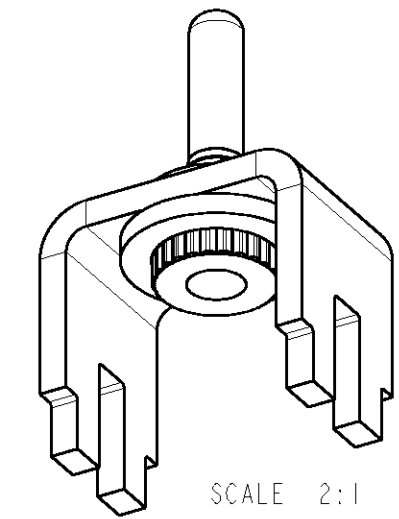
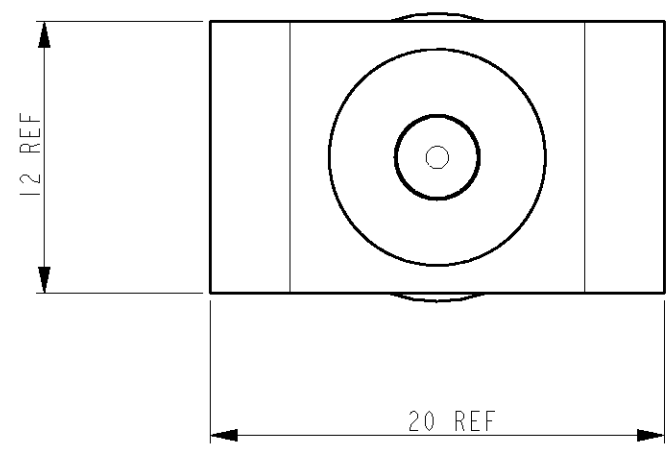
3

2

1

THIS DRAWING IS UNPUBLISHED. RELEASED FOR PUBLICATION 20
 © COPYRIGHT 20 BY TYCO ELECTRONICS CORPORATION. ALL RIGHTS RESERVED.

LOC	DIST	REVISIONS					
H	-	P	LTR	DESCRIPTION	DATE	DWN	APVD
			A	RELEASED	28MAR2007	RD	RL
			B	ECR-07-013006	01JUN2007	RD	RL
			C	ECR-08-017970	17JUL2008	JvdH	RL



NOTES:

- ① 5,0µm MIN. SILVER OVER 1,0µm MIN. NICKEL
- ② 0,5µm MIN. GOLD OVER 1,0µm MIN. NICKEL
- ③ 4-15µm TIN (MINIMUM IN AREA OF PINS) OVER 1,2µm MIN. NICKEL
- ④ 1,0µm MIN. NICKEL

ITEM NO.	DESCRIPTION	MATERIAL	FINISH	QUANTITY
3	SWAGE WASHER 1,5MM THICK	STEEL	④	1
2	STRIP	COPPER ALLOY	③	1
1	CONTACT PIN SIZE #8	COPPER ALLOY	②	1
1	CONTACT PIN SIZE #8	COPPER ALLOY	①	1

THIS DRAWING IS A CONTROLLED DOCUMENT FOR TYCO ELECTRONICS CORPORATION
 IT IS SUBJECT TO CHANGE AND THE CONTROLLING ENGINEERING ORGANIZATION
 SHOULD BE CONTACTED FOR THE LATEST REVISION.

DOWNSIGNED BY: J. van Hoek 14AUG2006	
CHECKED BY: R. Daamen 17AUG2006	
APPROVED BY: J. Broeksteeg 17AUG2006	
PRODUCT SPEC: -	
APPLICATION SPEC: -	
WEIGHT: -	
CUSTOMER DRAWING	

Tyco Electronics Nederland BV 's-Hertogenbosch, The Netherlands	
BUSBAR WITH CONTACT PIN SIZE #8 SWAGE MOUNTED	
SIZE: A3	CAGE CODE: 00779
DRAWING NO: C-1857925	RESTRICTED TO: -
SCALE: 3:1	SHEET 1 OF 1
REV: C	

1857925-1
1857925-2

单击下面可查看定价，库存，交付和生命周期等信息

[>>TE Connectivity\(泰科\)](#)