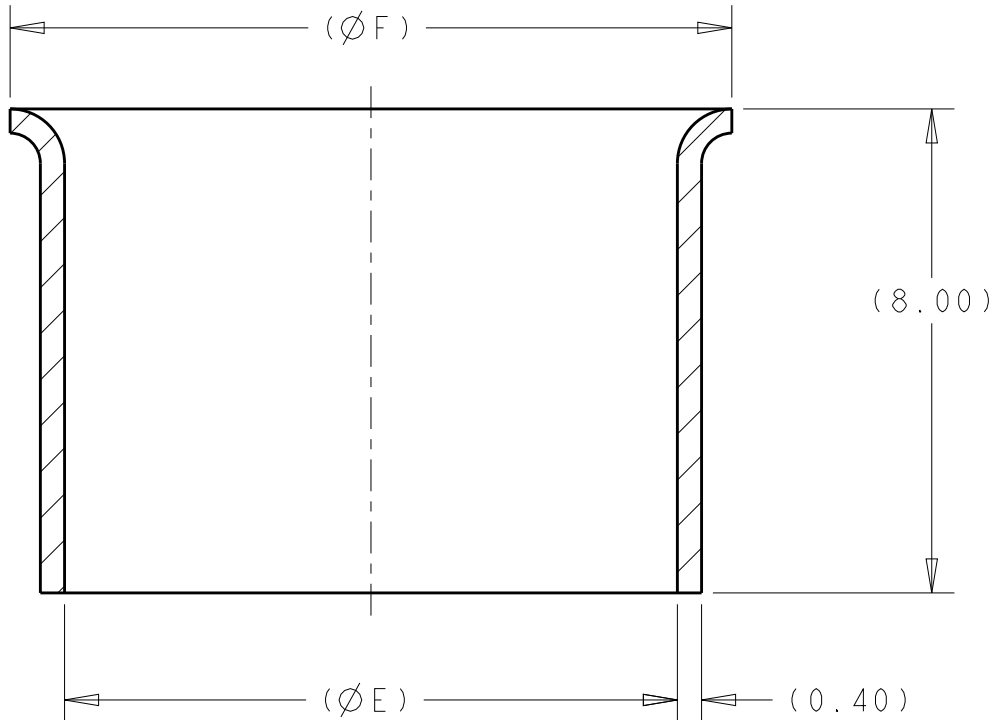
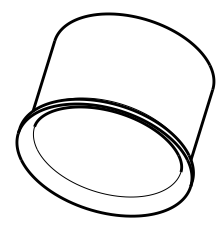


LOC HV	DIST 00	REVISIONS				
P	LTR	DESCRIPTION	DATE	DWN	APVD	
	A1	ECO-10-022743	05NOV2010	DR	DR	
	A2	ECO-11-024207	02DEC2011	DR	DR	
	A3	ECO-13-012771	08AUG2013	DR	DR	



SECTION A - A

- 1 MATERIAL:  
TYPE: COPPER ALLOY
- 2. FINISH:  
UNDERPLATE TYPE: NICKEL  
TOP PLATE TYPE: TIN
- 3. PARTS MUST BE FREE OF EXCESSIVE BURRS,  
CRACKS, OR OTHER VISUAL IMPERFECTIONS  
THAT MAY AFFECT FIT FORM OR FUNCTION



SCALE 2:1

13.93	12.13	1.26g	A	1587724-3
12.93	11.13	1.15g	A	1587724-2
11.93	10.13	1.00g	A	1587724-1
F	E	WEIGHT	REV	PART NO

20  
 RELEASED FOR PUBLICATION  
 ALL RIGHTS RESERVED.  
 BY TYCO ELECTRONICS CORPORATION  
 COPYRIGHT 20

DIMENSIONS: mm	DWN D SIMPSON	02JUN2008	MATERIAL	1	FINISH	
	CHK A TYLER	02JUN2008	TE Connectivity			
TOLERANCES UNLESS OTHERWISE SPECIFIED:	APVD J. BOLEWITZ	02JUN2008				NAME OUTER FERRULE HVA280 MULTI-CORE
0 PLC ±	PRODUCT SPEC		SIZE	CAGE CODE	DRAWING NO	RESTRICTED TO
1 PLC ±0.15	APPLICATION SPEC		A 4	00779	C-1587724	
2 PLC ±0.10			CUSTOMER DRAWING			SCALE 8:1
3 PLC ±						SHEET 1 OF 1
4 PLC ±	WEIGHT SEE TABLE					REV A3
ANGLES ±1°						

单击下面可查看定价，库存，交付和生命周期等信息

[>>TE Connectivity\(泰科\)](#)