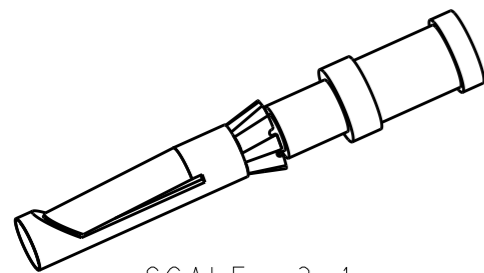


THIS DRAWING IS UNPUBLISHED. RELEASED FOR PUBLICATION 20
 © COPYRIGHT 20 BY - ALL RIGHTS RESERVED.

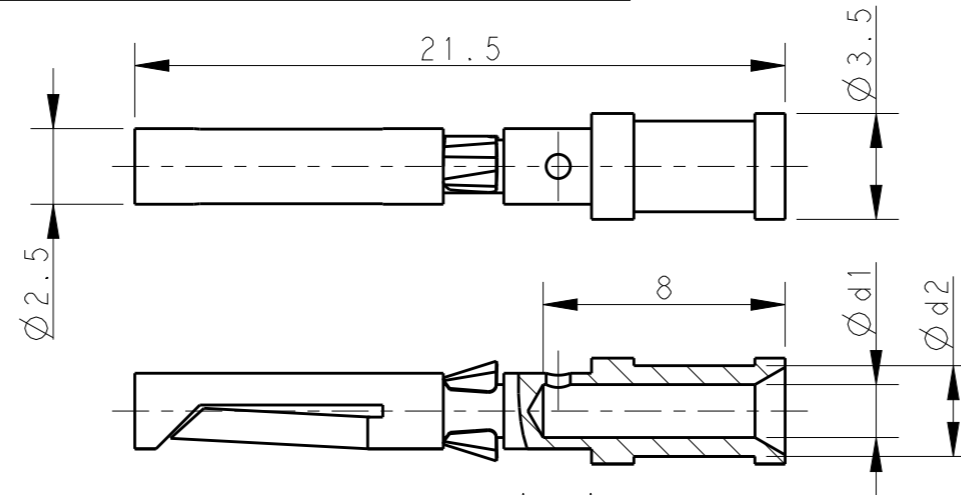
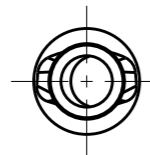
REVISIONS

P	LTR	DESCRIPTION	DATE	DWN	APVD
	A	INITIAL	22NOV2014	DW	CW
	A1	ECR-15-004312	19MAR2015	DW	CW
	A2	ECR-15-010519	20JUN2015	DW	CW
	A3	ECR-17-014183	27SEP2017	DW	CW



SCALE 3:1

1) $\phi d1=0.90, 1.10, 1.30, 1.45, 1.75$

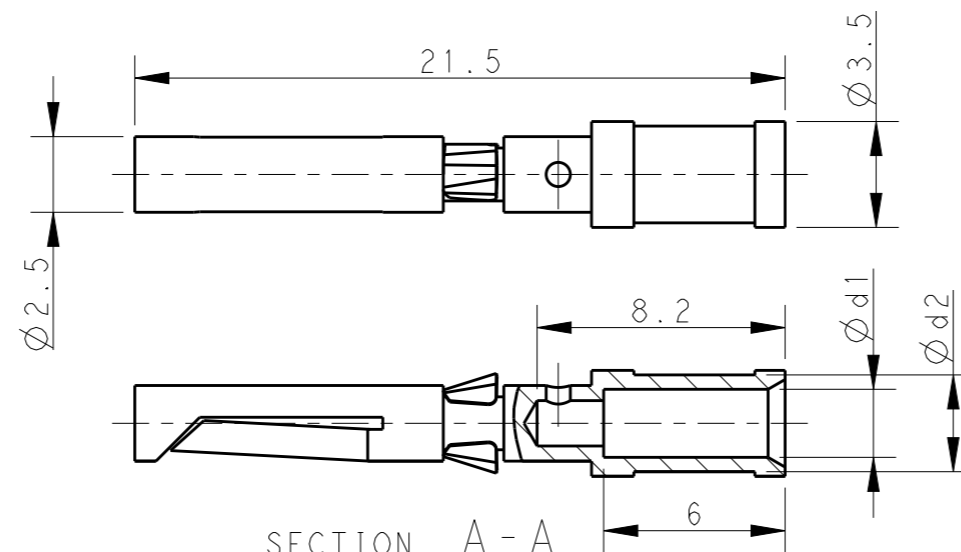
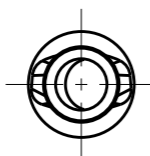


SECTION A-A

NOTES:
 1. TECHNICAL CHARACTERISTICS:
 SOCKET CONTACT MATERIAL: BRASS
 SURFACE PLATING:
 SILVER PLATING: $\geq 2\mu m$
 GOLD PLATING: $\geq 0.75\mu m$
 CONTACT RESISTANCE: $\leq 5 m\Omega$
 WIRE RANGE: 0.14-2.5 mm² (26-14 AWG)
 OPERATION TEMPERATURE: -40-+125°C

注释:
 1. 技术参数:
 母针材料: 黄铜
 表面电镀:
 镀银: $\geq 2\mu m$
 镀金: $\geq 0.75\mu m$
 接触电阻: $\leq 5 m\Omega$
 接线范围: 0.14-2.5 mm² (26-14 AWG)
 工作温度: -40-+125°C

2) $\phi d1=2.25$



SECTION A-A

SILVER PLATING 镀银			GOLD PLATING 镀金			$\phi d1$	$\phi d2$	WIRE GAUGE 线规		STRIPPING LENGTH 剥线长度 (mm)
PART NUMBER 料号	PART DESCRIPTION 描述		PART NUMBER 料号	PART DESCRIPTION 描述				MM ²	AWG	
T2020002002-000	CDF-0.3	CDF-0.3, SILVER PLATING DD母针 0.14-0.37mm ² , 镀银	T2020012002-000	DDF-0.3	DDF-0.3, GOLD PLATING DD母针 0.14-0.37mm ² , 镀金	0.90	2.55	0.14-0.37	26-22	8
T2020002005-000	CDF-0.5	CDF-0.5, SILVER PLATING DD母针 0.5mm ² , 镀银	T2020012005-000	DDF-0.5	DDF-0.5, GOLD PLATING DD母针 0.5mm ² , 镀金	1.10	2.60	0.5	20	
T2020002008-000	CDF-0.75	CDF-0.75, SILVER PLATING DD母针 0.75mm ² , 镀银	T2020012008-000	DDF-0.75	DDF-0.75, GOLD PLATING DD母针 0.75mm ² , 镀金	1.30	2.60	0.75	18	
T2020002010-000	CDF-1.0	CDF-1.0, SILVER PLATING DD母针 1.0mm ² , 镀银	T2020012010-000	DDF-1.0	DDF-1.0, GOLD PLATING DD母针 1.0mm ² , 镀金	1.45	2.60	1.0	18	
T2020002015-000	CDF-1.5	CDF-1.5, SILVER PLATING DD母针 1.5mm ² , 镀银	T2020012015-000	DDF-1.5	DDF-1.5, GOLD PLATING DD母针 1.5mm ² , 镀金	1.75	3.00	1.5	16	
T2020002025-000	CDF-2.5	CDF-2.5, SILVER PLATING DD母针 2.5mm ² , 镀银	T2020012025-000	DDF-2.5	DDF-2.5, GOLD PLATING DD母针 2.5mm ² , 镀金	2.25	3.20	2.5	14	6.2

THIS DRAWING IS A CONTROLLED DOCUMENT.

DIMENSIONS: mm	TOLERANCES UNLESS OTHERWISE SPECIFIED: 0 PLC ±- 1 PLC ±- 2 PLC ±- 3 PLC ±- 4 PLC ±- ANGLES ±-
MATERIAL	FINISH

DWN	22NOV2014	David Wang
CHK	22NOV2014	Chris Wang
APVD	22NOV2014	Xiang Xu
PRODUCT SPEC	108-137042	
APPLICATION SPEC	114-137042	
WEIGHT	-	
Customer Drawing		



NAME CDF/DDF HD/HDD SOCKET CONTACT			
SIZE	CAGE CODE	DRAWING NO	RESTRICTED TO
A3	00779	T20200X20XX000	-
SCALE 4:1		SHEET 1 OF 1	REV A3

单击下面可查看定价，库存，交付和生命周期等信息

[>>TE Connectivity\(泰科\)](#)