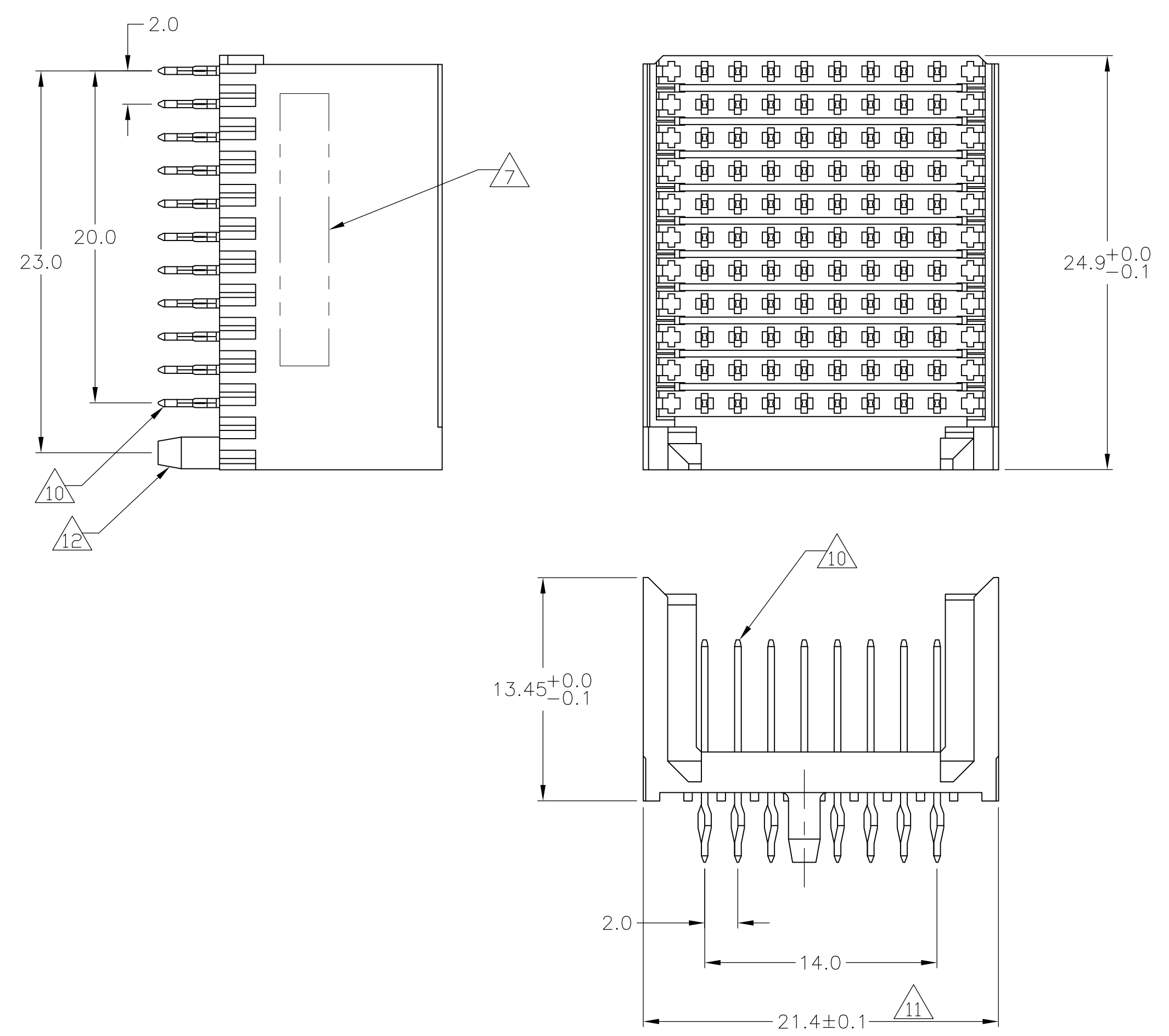
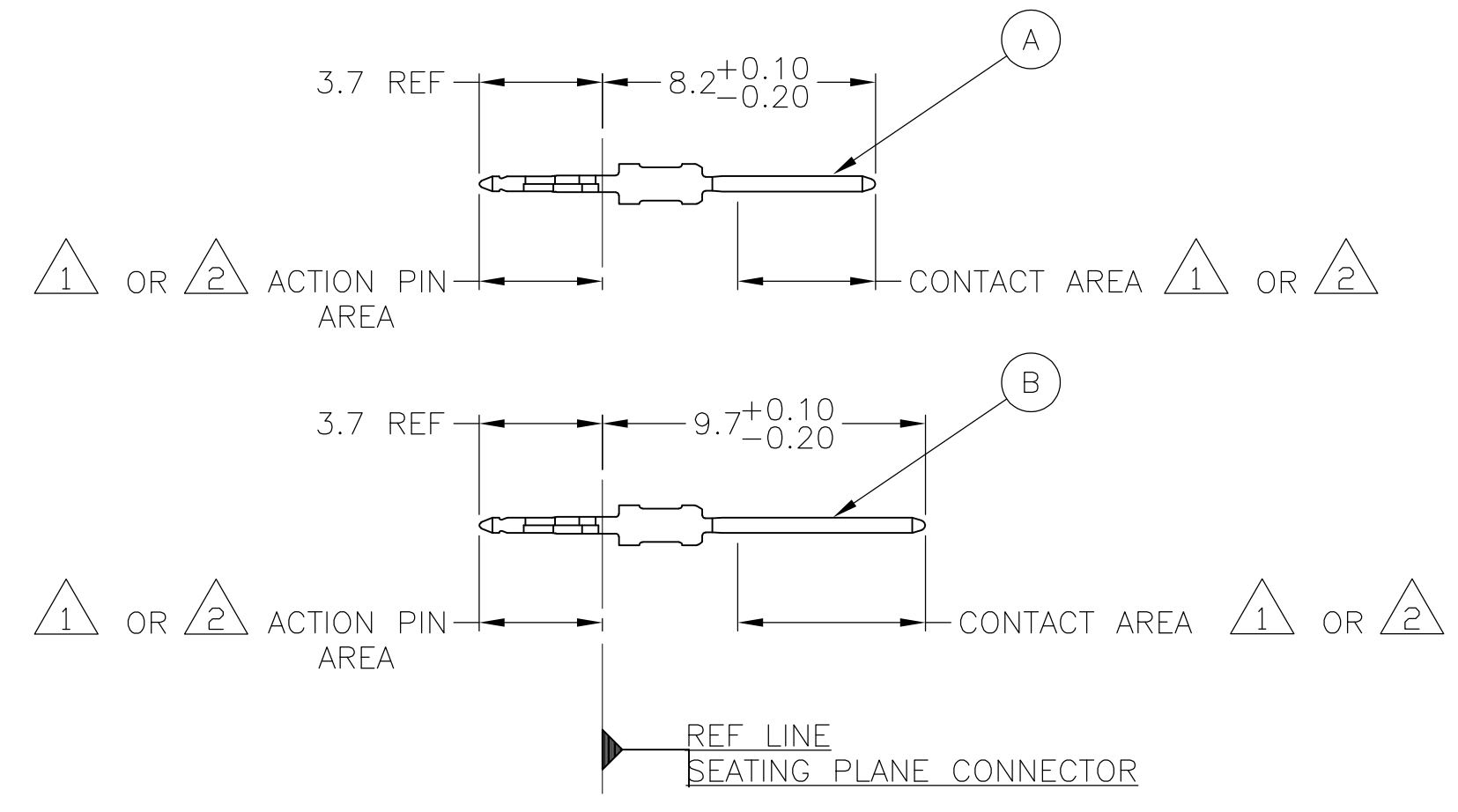


LOC		DIST		REVISIONS			
P	LTR	DESCRIPTION	DATE	DMN	APVD		
A		REVISED PER ECN 0512-0303-05	17APR06	JDP	GES		
B		ECR-10-018652	10SEP10	JS	MQW		

CONNECTOR ASSEMBLY EXAMPLARY LOADED



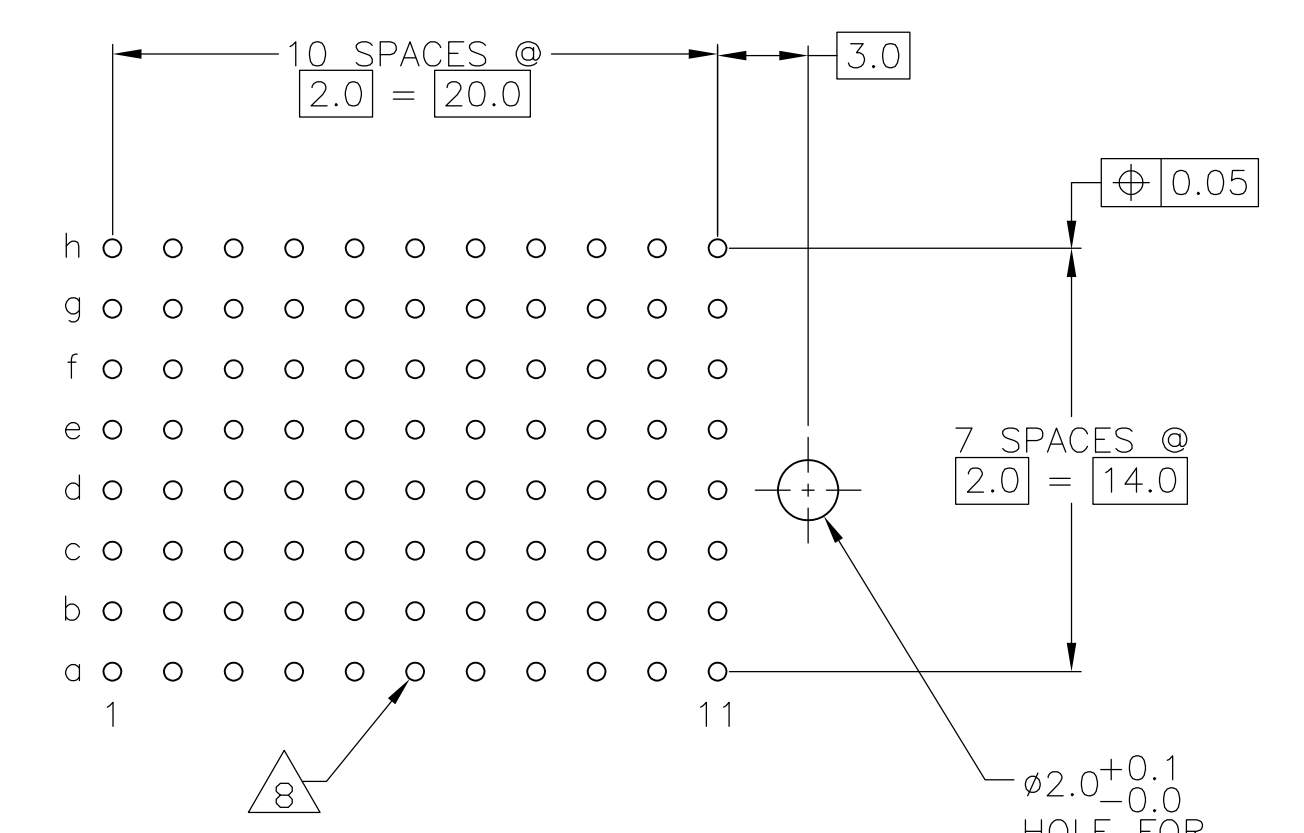
CONTACT DIMENSIONS SCALE 5:1



CONTACT LAYOUT

	z	a	b	c	d	e	f	g	h	i
1		A	B	B	B	B	B	B	B	
2		B	B	B	B	B	B	B	B	
3		B	B	B	B	B	B	B	B	
4		B	B	B	B	B	B	B	B	
5		B	B	B	B	B	B	B	B	
6		B	B	B	B	B	B	B	B	
7		B	B	B	B	B	B	B	B	
8		B	B	B	B	B	B	B	B	
9		B	B	B	B	B	B	B	B	
10		B	B	B	B	B	B	B	B	
11		B	B	B	B	B	B	B	B	
GUIDING										

RECOMMENDED PCB-HOLE LAYOUT COMPONENT SIDE SHOWN



PLATED THRU HOLES PARAMETERS REFERENCE APPLICATION SPECIFICATION

1	13	1-6645167-9
2	13	6645167-9
1		6645167-4
2		6645167-1
FINISH		PART NUMBER

THIS DRAWING IS A CONTROLLED DOCUMENT.		DIN B CARBO 24MAY05	Tyco Electronics Corporation Harrisburg, Pa 17105-3608	
DIMENSIONS: mm		CHK G SKIPPER 24MAY05	APVD G SKIPPER 24MAY05	
TOLERANCES UNLESS OTHERWISE SPECIFIED:		NAME MALE ASSEMBLY, Z-PACK 2mm HM, TYPE F		
0-PLC ±		APPLICATION SPEC 108-19082		
1-PLC ± 0.2		SIZE CASE CODE DRAWING NO 114-19029		
2-PLC ± 0.052		WEIGHT A1 00779 C=6645167		
3-PLC ± 0.005		CUSTOMER DRAWING SCALE 4:1 SHEET 1 OF 2 REV B		
4-PLC ± 0.030				
ANGLES ± 0.30°				

LOC	DIST	REVISIONS			
P	LTR	DESCRIPTION	DATE	DN	APVD
AD	00	SEE SHEET 1	-	-	-

- 1 MATERIAL:
CONTACT: PHOSPHOR BRONZE.
HOUSING: GLASS-FILLED POLYESTER.
- 2 GENERAL PLATING SPECIFICATION: UNDERPLATING
(ENTIRE CONTACT): 1.27µm MIN NICKEL AND ACTION
PIN: 0.5µm MIN TIN.
FOR PLATING OF MATING SURFACES SEE APPLICABLE
SPECIFICATION REFERENCE FOR EACH DASH NUMBER.
- 3 CONFORMS TO ALL TESTING ACCORDING TO IEC 61076-4-101
PERFORMANCE LEVEL 2.
- 4 CONFORMS TO ALL TESTING ACCORDING TO IEC 61076-4-101
PERFORMANCE LEVEL 1.
- 5 CONNECTOR TESTED AND QUALIFIED AGAINST TELCORDIA GR-1217-CORE QUALITY LEVEL 3,
CENTRAL OFFICE APPLICATIONS.
- 6 CONNECTOR TESTED AND QUALIFIED AGAINST TELCORDIA GR-1217-CORE QUALITY LEVEL 3,
UNCONTROLLED ENVIROMENT APPLICATIONS.
- 7 CONNECTOR MARKED WITH PART NUMBER AND DATE CODE.
ADDITIONAL CHARACTERS OR MARKINGS, AS WELL AS THE LOCATION OF THE MARKINGS,
MAY BE ADDED FOR TRACEABILITY BASED UPON MANUFACTURERS DISCRETION.
- 8 PLATED-THROUGH HOLES AT 2x2mm SQUARE GRID
PATTERN DEFINED BY CONTACT LAYOUT.
- 9 FOR ACTUAL PIN LOADING SEE "CONTACT LAYOUT".
- 10 FOR ACTUAL PIN DIMENSIONS SEE "CONTACT DIMENSIONS".
- 11 TO BE MEASURED AT BOTTOM OF SHROUD.
- 12 LOCATION PEG.
- 13 CONNECTOR LUBRICATED WITH BELCORE APPROVED LUBRICANT,
TECHNICAL REFERENCE: TR-NWT-001217 ISSUE 1, SEP 1992.

THIS DRAWING IS A CONTROLLED DOCUMENT.		DIN E CARBO	24MAY05	Tyco Electronics Corporation Harrisburg, Pa 17105-3608	
DIMENSIONS: mm		CHK G.SKIPPER	24MAY05	NAME MALE ASSEMBLY, Z-PACK 2mm HM, TYPE F	
TOLERANCES UNLESS OTHERWISE SPECIFIED: 0-PLC ± 1-PLC ±0.2 2-PLC ±0.02 3-PLC ±0.005 4-PLC ± ANGLES ±0.30°		APVD G.SKIPPER	24MAY05	PRODUCT SPEC 108-19082	
MATERIAL SEE SHEET 1		APPLICATION SPEC 114-19029		SIZE A1	CAGE CODE 00779
FINISH SEE SHEET 1		WEIGHT -		DRAWING NO 6645167	
CUSTOMER DRAWING				SCALE 4:1	SHEET 2 OF 2
				REV B	RESTRICTED TO -

单击下面可查看定价，库存，交付和生命周期等信息

[>>TE Connectivity\(泰科\)](#)