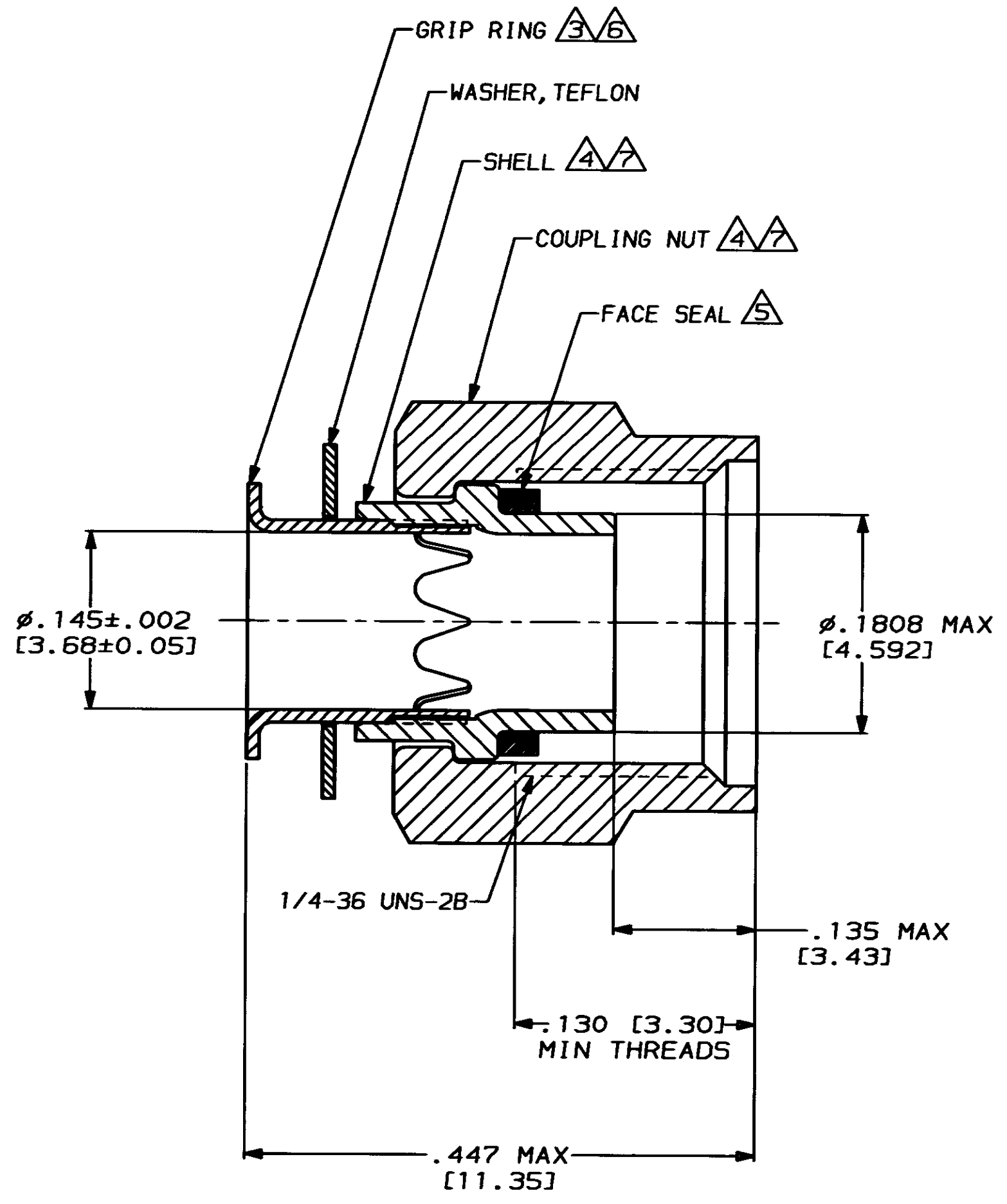
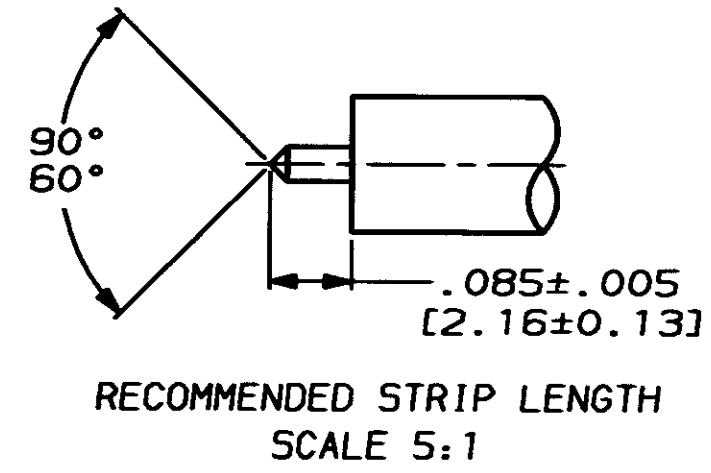
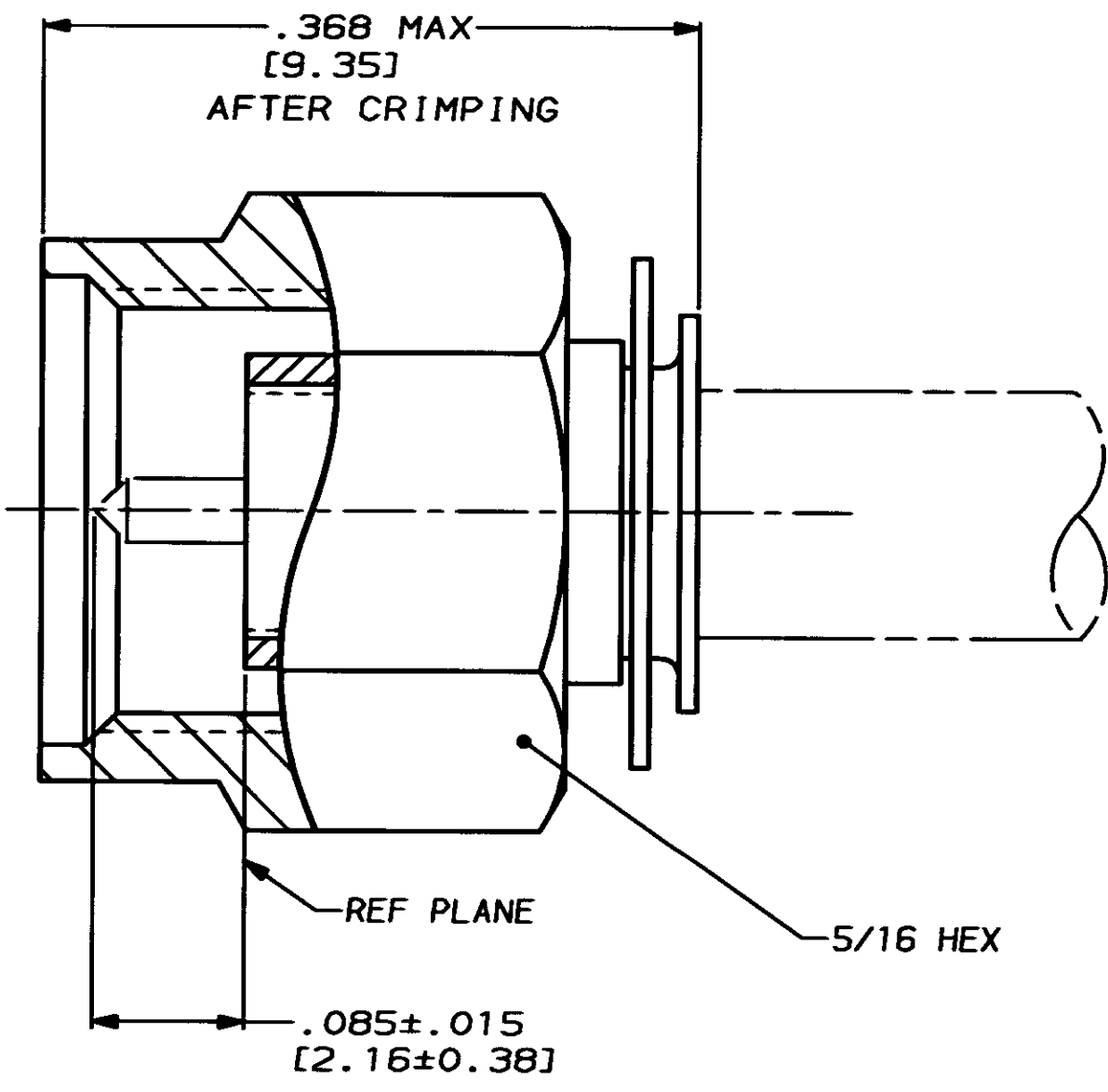


PROD CODE	LOC	DIST	P	F	ZONE	LTR	DESCRIPTION	DATE	APPD
3346	DF	X0				N	REV & RDWN; 0600-415-93 CT	8-93	JC



- FOR USE WITH RG-402/U, .141 [3.58] SEMI-RIGID CABLE.
- SEE I.S. 6788.
- $\triangle 3$ BRASS PER MIL-C-50.
- $\triangle 4$ STAINLESS STEEL PER ASTM-A-582
- $\triangle 5$ SILICONE RUBBER PER ZZ-R-765.
- $\triangle 6$ NICKEL PLATE PER QQ-N-290.
- $\triangle 7$ PASSIVATION PER QQ-P-35.
- .500 [12.70] MIN LENGTH OF STRAIGHT CABLE REQUIRED TO APPLY THE CONNECTOR.
- MA KING: 00779 M39012/92B3101.

THIS DRAWING IS A CONTROLLED DOCUMENT FOR AMP INCORPORATED. IT IS SUBJECT TO CHANGE AND THE CONTROLLING ENGINEERING ORGANIZATION SHOULD BE CONTACTED FOR THE LATEST REVISION.

DO NOT SCALE PRINT. UNLESS SPECIFIED DIMENSIONS IN INCHES [mm] TOLERANCES ON: 2 PLC DEC ± - 3 PLC DEC ± - ANGLES ± -	DR 8-2-93 C.C. THOMAS	AMP Incorporated Harrisburg, PA 17105-3608		
	CHK 8-17-93 J. CABARLO			
MATERIAL SEE CALLOUTS	APPD 8-17-93 J. CABARLO	NAME		
	APPD 8-17-93 C.C. THOMAS	PLUG, MIL-B, SERIES SMA, RF		
FINISH SEE CALLOUTS	PRODUCT SPEC 108-12055	SIZE C	CAGE CODE 00779	DRAWING NO C-227531-1
	APPLICATION SPEC -	WEIGHT .063 OZ	SCALE 10:1	SHEET 1 OF 1

单击下面可查看定价，库存，交付和生命周期等信息

[>>TE Connectivity\(泰科\)](#)