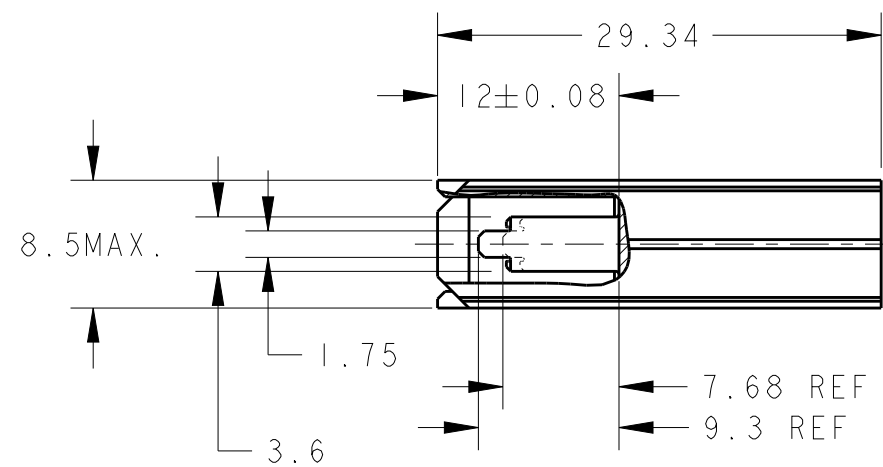
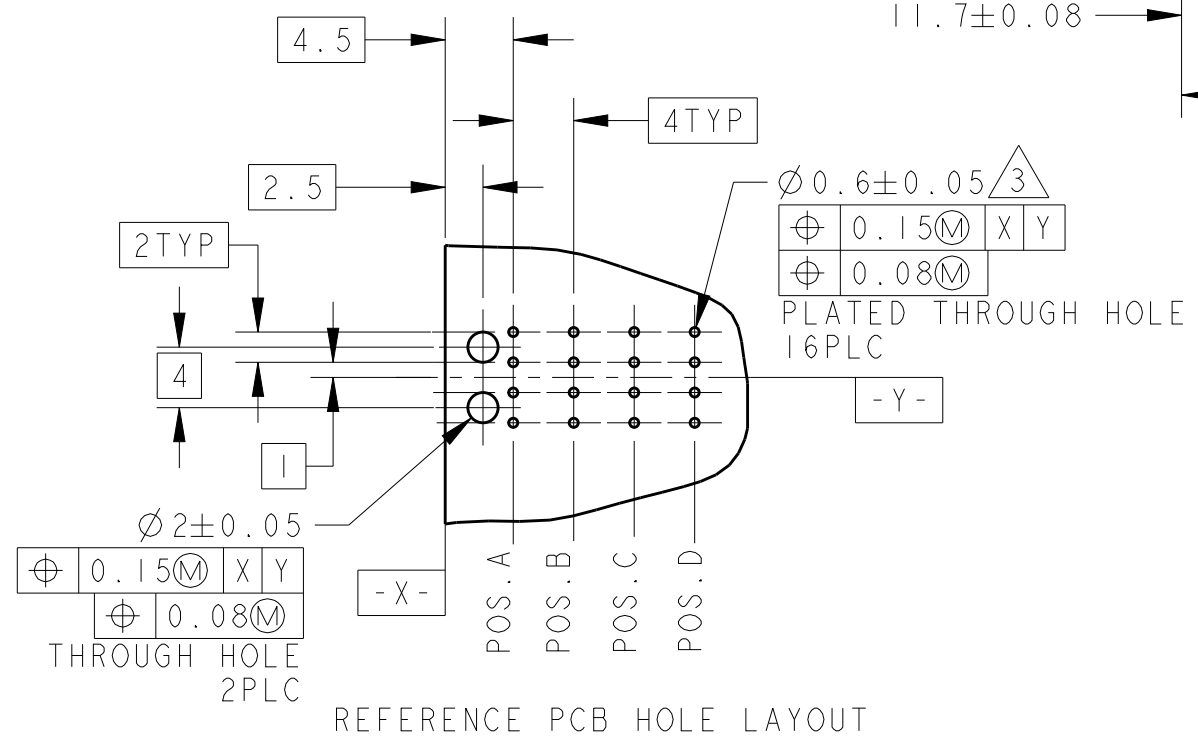
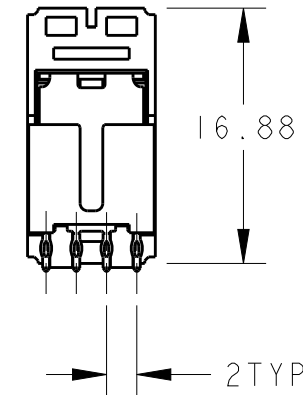
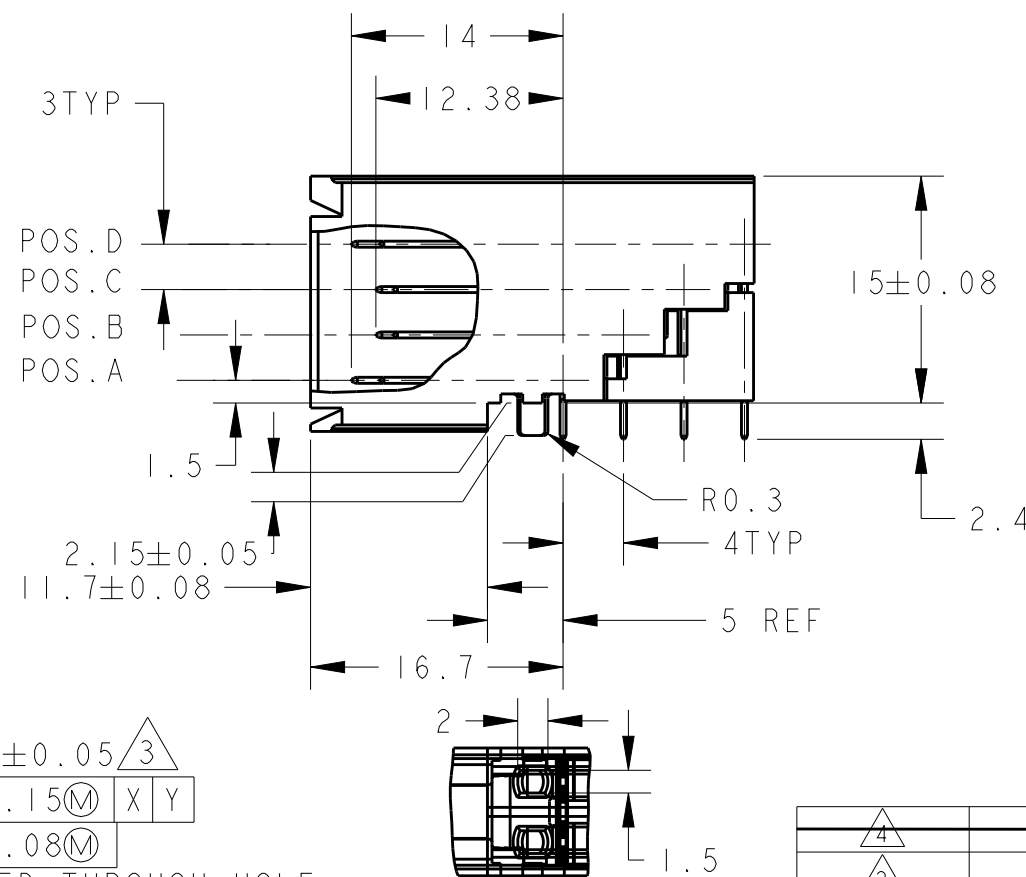
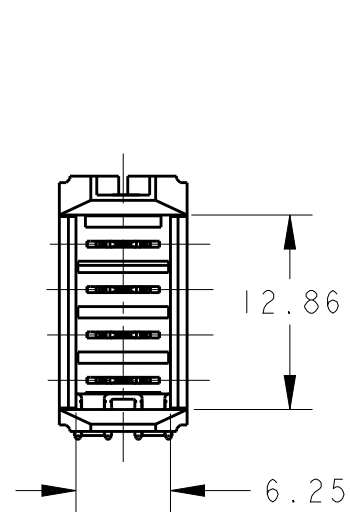


THIS DRAWING IS UNPUBLISHED. RELEASED FOR PUBLICATION 20
 © COPYRIGHT 2011 BY Tyco Electronics Japan G.K. ALL RIGHTS RESERVED.

LOC	DIST	REVISIONS			
P	LTR	DESCRIPTION	DATE	DWN	APVD
J	-	C	REVISED	25APR2011	K.M E.T
		D	REV PER ECO-18-012426	2019APR03	ML SZ



- 1 MATERIAL
CONTACT: COPPER ALLOY
HOUSING: THERMOPLASTIC
- 2 FINISH
CONTACT MATING AREA: 0.76um MIN. GOLD PLATE
EON AREA: 0.5um MIN. TIN PLATE
ALL OVER: 1.27um MIN. NICKEL PLATE
- 3 TYPICAL HOLE DETAIL;
DRILLED HOLE = $\varnothing 0.7 \pm 0.02$
COPPER THICKNESS = 0.035 TO 0.065
- 4 FINISH
CONTACT MATING AREA: 0.76um MIN. GOLD PLATE
EON AREA: 0.5um MIN. BRIGHT TIN-LEAD PLATE
ALL OVER: 1.27um MIN. NICKEL PLATE
- 5. CONTACT AREA LUBRICATED WITH BELLCORE APPROVED LUBRICANT. TECHNICAL REFERENCE: GR-1217-CORE, ISSUE 2, DECEMBER 2008.



4	A, D	B, C	1903977-1
2	A, D	B, C	1903977-1
FINISH	POSITIONS LOADED WITH 9.3 REF CONTACTS	POSITIONS LOADED WITH 7.68 REF CONTACTS	P/N

THIS DRAWING IS A CONTROLLED DOCUMENT.

DWN T. KATANO 21NOV06
 CHK K. IKEGAMI 21NOV06
 APVD K. IKEGAMI 21NOV06

DIMENSIONS: mm
 TOLERANCES UNLESS OTHERWISE SPECIFIED: ±0.3

0 PLC	±
1 PLC	±0.1
2 PLC	±0.01
3 PLC	±0.001
4 PLC	±0.0001
ANGLES	±

MATERIAL: SEE TABLE
 FINISH: SEE TABLE

PRODUCT SPEC: 108-78387
 APPLICATION SPEC: 114-5475
 WEIGHT: -

STE TE Connectivity

NAME: SLIM UNIVERSAL POWER MODULE 4POS. RIGHT ANGLE HEADER ASSEMBLY

SIZE: A3	CAGE CODE: -	DRAWING NO: C-1903977	RESTRICTED TO:
----------	--------------	-----------------------	----------------

CUSTOMER DRAWING SCALE: 2:1 SHEET 1 OF 1 REV D

单击下面可查看定价，库存，交付和生命周期等信息

[>>TE Connectivity\(泰科\)](#)