

THIS DRAWING IS UNPUBLISHED. RELEASED FOR PUBLICATION FEB ,2006.
 © COPYRIGHT 2006 BY TYCO ELECTRONICS CORPORATION. ALL RIGHTS RESERVED.

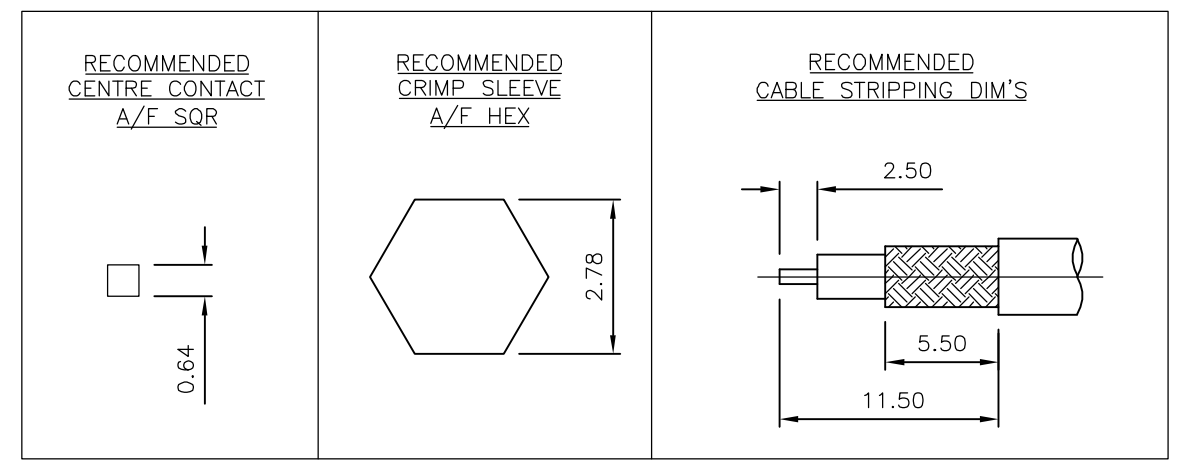
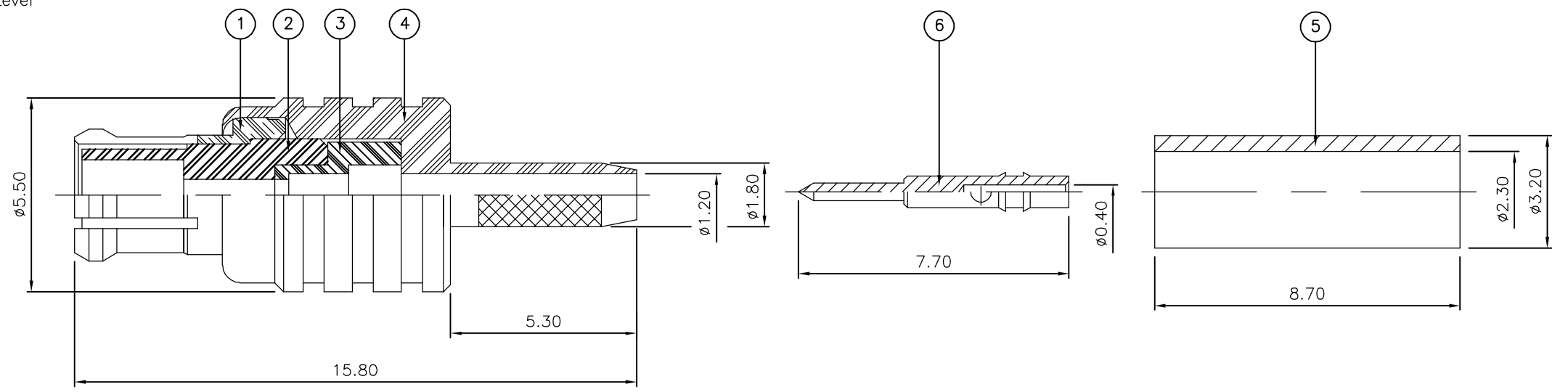
LOC	DIST	REVISIONS			
P	LTR	DESCRIPTION	DATE	DWN	APVD
E	B	C	ECR-06-002568	02FEB06	JMS FWK

- NOTES:
- 1 PACK IN ACCORDANCE WITH AMP SPEC 107-3275
 - 2 100 TRAY PACK IN ACCORDANCE WITH AMP SPEC 107-3275
 - 3 Au PLATING
 - 4 HAND TOOL : 9-1478240-0
 - 5 DIE SET : 9-1478248-0
 - 6 ELECTRICAL CHARACTERISTICS

FREQUENCY RANGE:	DC - 6 GHz
NOMINAL IMPEDANCE:	50 Ohm
INSULATION RESISTANCE:	1000 MOhm
WORKING VOLTAGE:	335 Volts RMS at Sea Level
DIELECTRIC WITHSTAND VOLTAGE:	1000 Volts RMS Max
CONTACT RESISTANCE:	
CENTRE CONTACT:	5.00 mOhm Max
OUTER CONTACT:	1.00 mOhm Max
VSWR @ 4GHz:	1.35:1 Max
INSERTION LOSS dB @ x 1.0 GHz:	0.10 Max
 - 7 MECHANICAL CHARACTERISTICS

COUPLING NUT RETENTION FORCE:	N/A
CABLE RETENTION FORCE:	
"RG174A/U, 188A/U, 316/U, URM95:"	85N Min
"RG178B/U, 196A/U:"	25N Min
DURABILITY:	500 Cycles Min
 - 8 ENVIRONMENTAL CHARACTERISTICS

OPERATING TEMPERATURE:	-65 to +165 DegC
------------------------	------------------



THIS DRAWING IS A CONTROLLED DOCUMENT.

DIMENSIONS:	TOLERANCES UNLESS OTHERWISE SPECIFIED:
mm	
	0 PLC ± -
	1 PLC ± -
	2 PLC ± -
	3 PLC ± -
	4 PLC ± -
	ANGLES ± -
MATERIAL	FINISH
SEE TABLE	-

DWN	J.SANDWELL	02FEB06
CHK	S.PARLOW	02FEB06
APVD	F.WHEELER-KING	02FEB06
PRODUCT SPEC	-	-
APPLICATION SPEC	411-3247	-
WEIGHT	-	-
CUSTOMER DRAWING		

QTY	PER ASSY	DESCRIPTION	ITEM	
1	1	BRASS	CONTACT	6
1	1	BRASS	FERRULE	5
1	1	BRASS	BODY	4
1	1	POLYPROPYLENE	INSULATION	3
1	1	PTFE	INSULATION	2
1	1	BERYLLIUM COPPER	CHASSIS	1
6--0	1--0	MATERIAL	DESCRIPTION	ITEM
△	△			
QUANTITY PER ASSY		PARTS LIST		

tyco Tyco Electronics Corporation
Electronics Bideford EX39 4HE

NAME: MCX STRAIGHT PLUG CRIMP 50 OHM
 RG178B/U, 196A/U, URM110

SIZE	CAGE CODE	DRAWING NO	RESTRICTED TO
A3	00779	C-1337579	-

SCALE: NTS SHEET: 1 OF 1 REV: C

单击下面可查看定价，库存，交付和生命周期等信息

[>>TE Connectivity\(泰科\)](#)