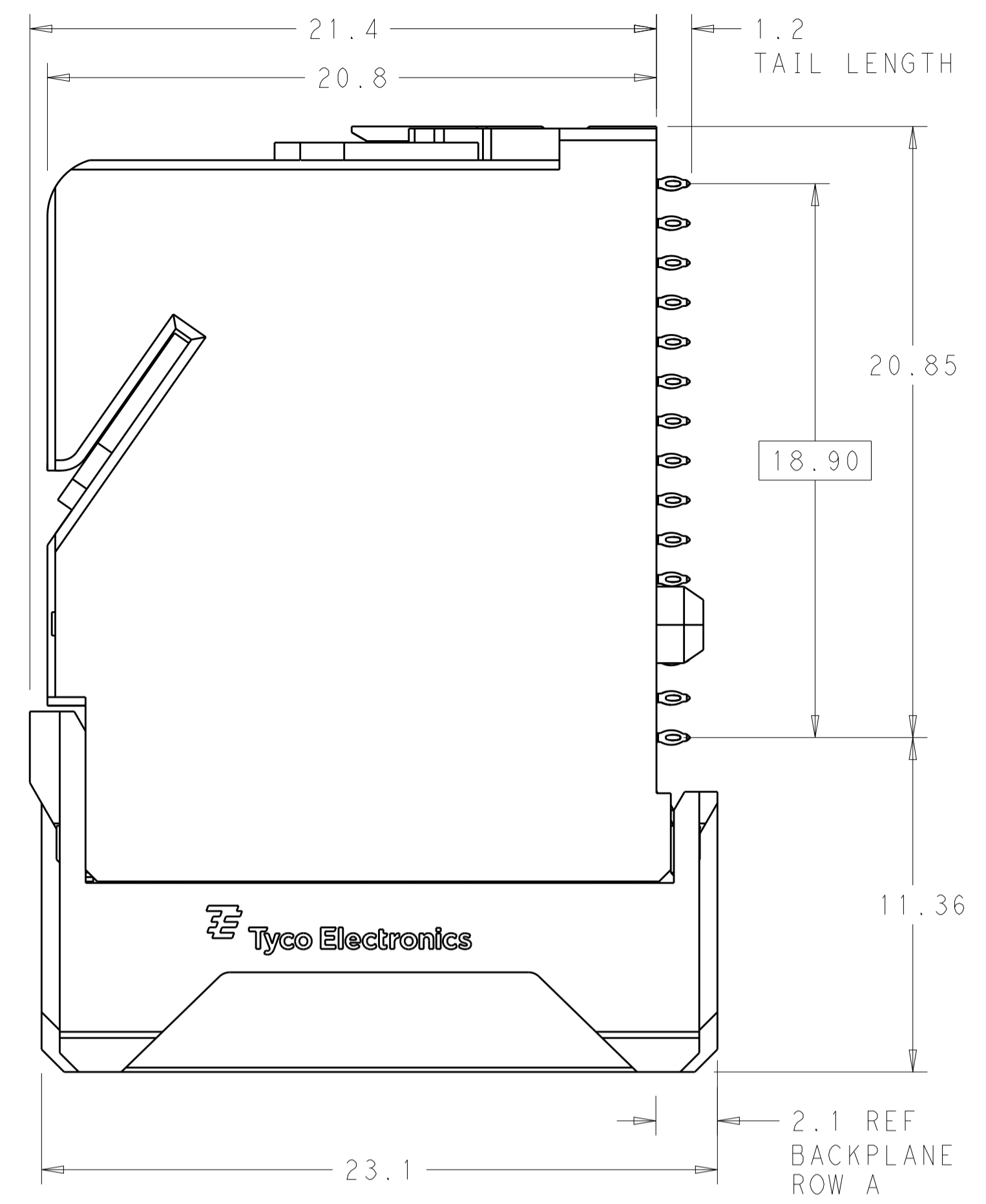
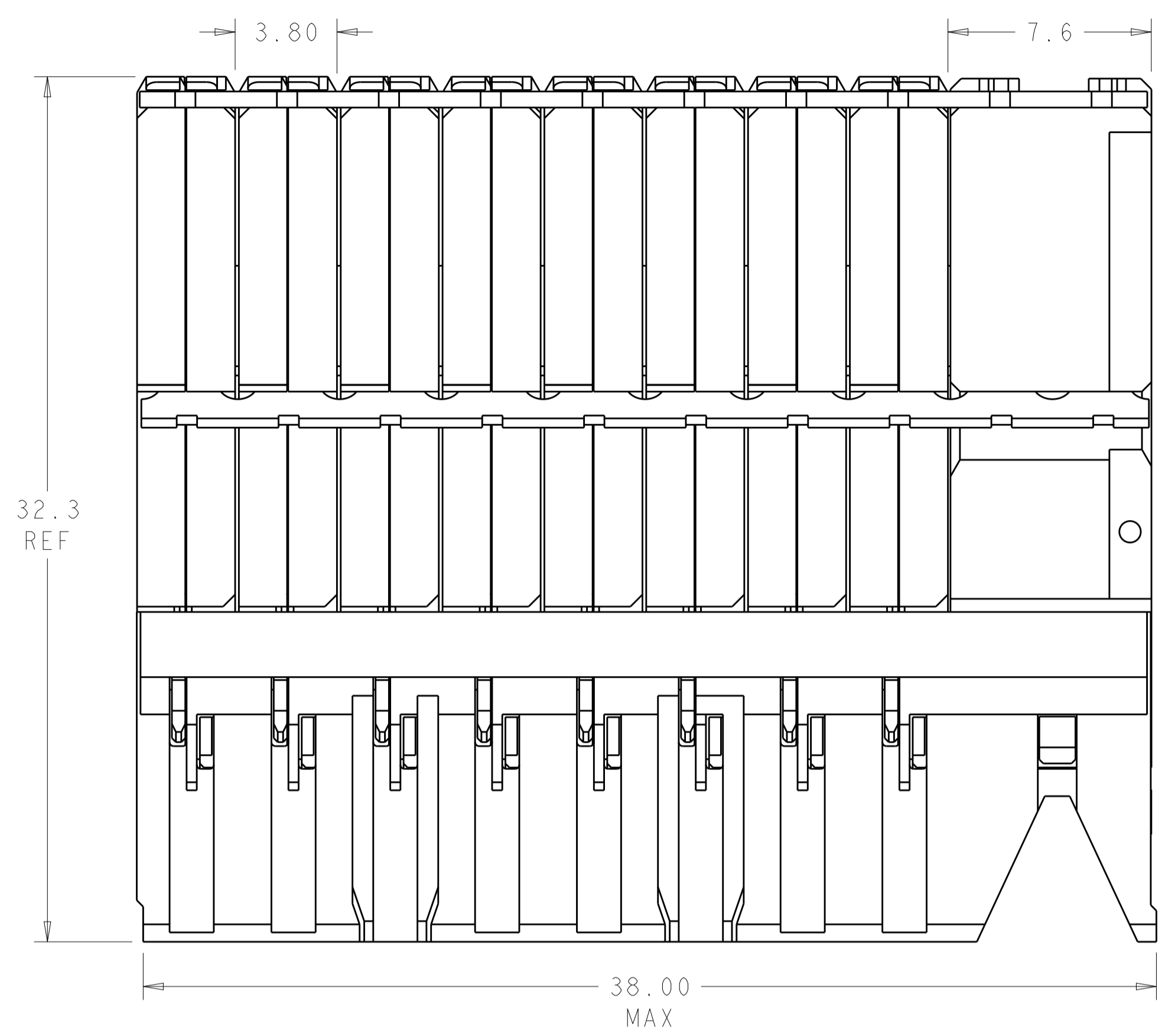
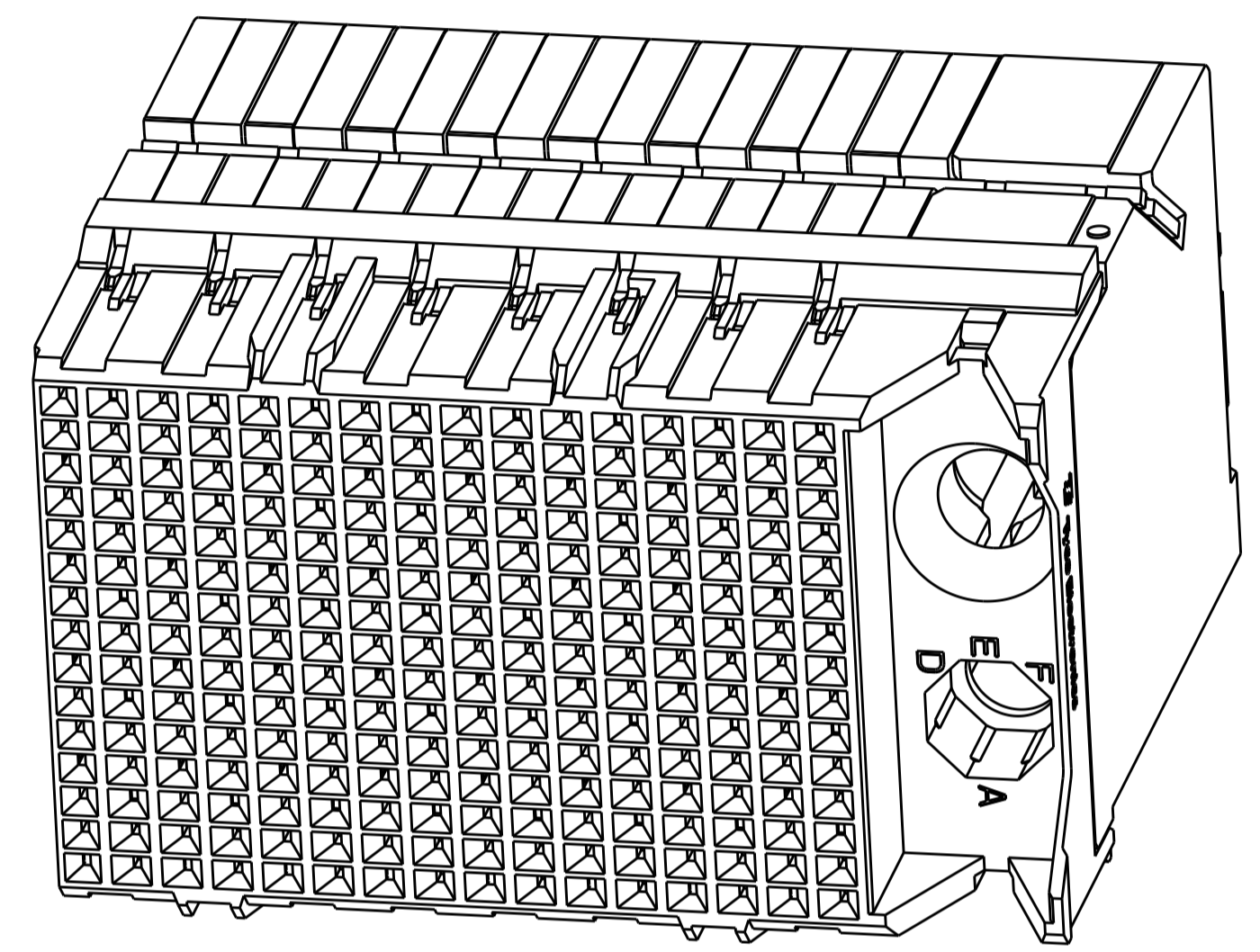


REVISIONS				
P.	LTN.	DESCRIPTION	DATE	APVD.
C2		REVISED PER ECO-15-004915	10APR2015	AP DD



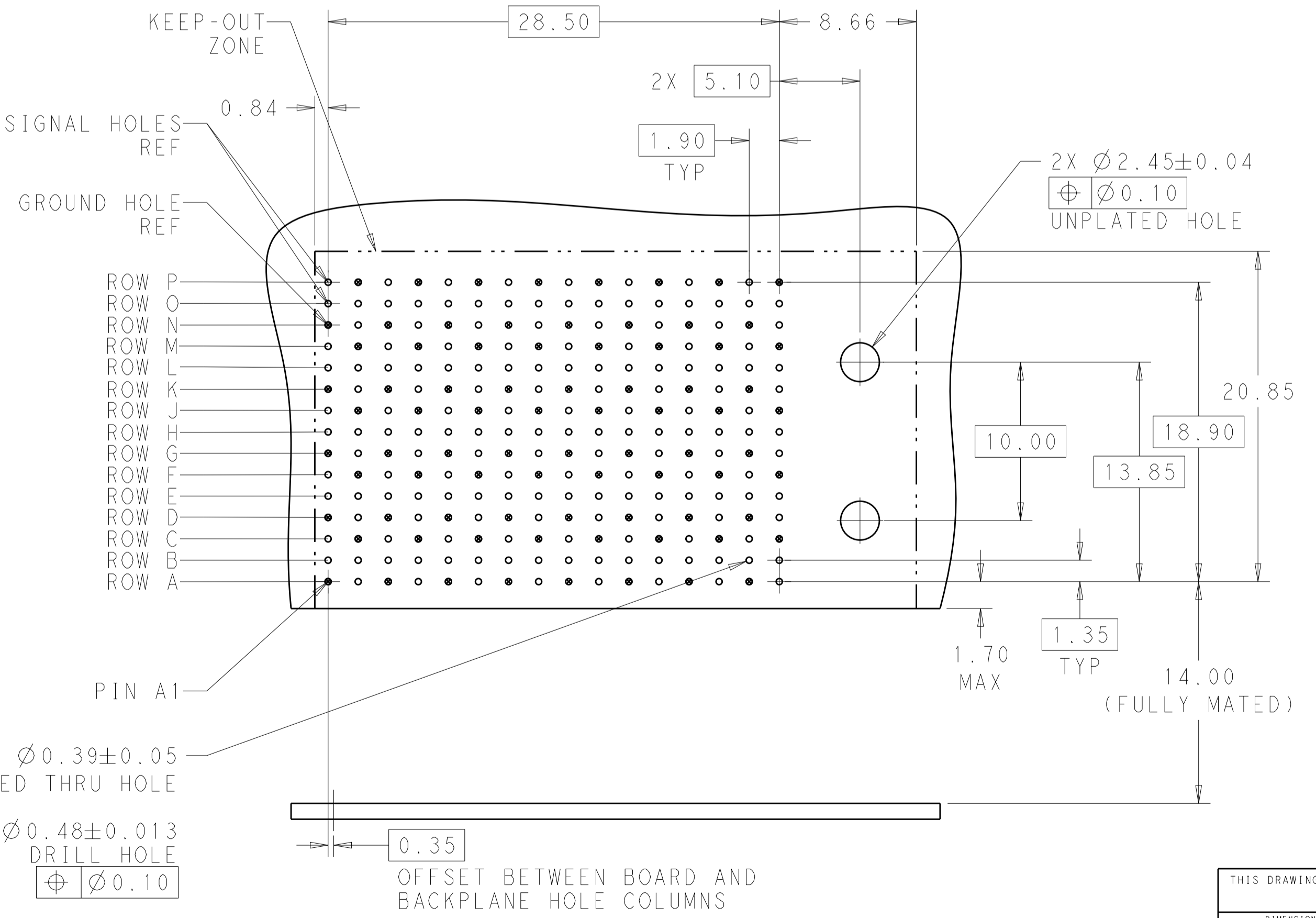
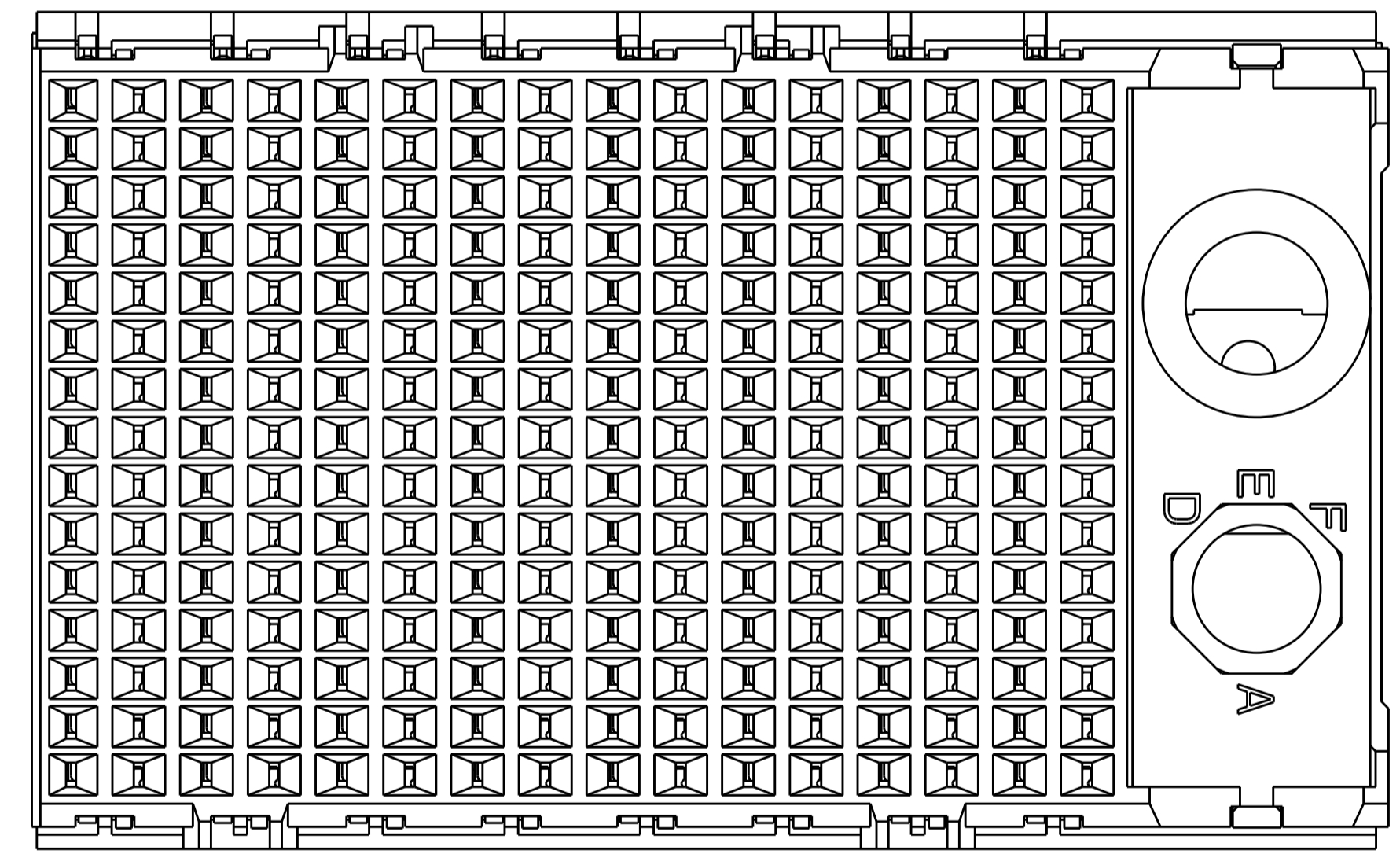
⚠ MATERIAL:  
HOUSING: LCP, GLASS FILLED, UL94V-0.  
TERMINALS: HIGH PERFORMANCE COPPER ALLOY.

⚠ FINISH:  
30µ" SELECTIVE GOLD IN CONTACT AREA. SELECTIVE TIN ON PCB TAILS, NICKEL OVERALL.



SCALE 4:1

REFER TO WWW.TE.COM FOR PRODUCT AVAILABILITY



KEY POSITION CHART	
	NONE
	A
	B
	C
	D
	E
	F
	G
	H

240X Ø0.39±0.05 PLATED THRU HOLE

240X Ø0.48±0.013 DRILL HOLE  
⊕ Ø0.10

RECOMMENDED PCB LAYOUT  
MIN BOARD THICKNESS 1.0

KEY POSITION	FINISH	PART NUMBER
H	⚠	8-2110123-1
G	⚠	7-2110123-1
F	⚠	6-2110123-1
E	⚠	5-2110123-1
D	⚠	4-2110123-1
C	⚠	3-2110123-1
B	⚠	2-2110123-1
A	⚠	1-2110123-1
NONE	⚠	2110123-1

THIS DRAWING IS A CONTROLLED DOCUMENT.

DIMENSIONS:	TOLERANCES UNLESS OTHERWISE SPECIFIED:	OWN: B. CARBO 06JAN2011	NAME: IMPACT, 5 PAIR, DAUGHTERCARD 16 COLUMN, RIGHT GUIDED, SIGNAL MODULE, 0.39 EYELET
mm	0 PLC ±	CHK: D. DIXON 06JAN2011	PRODUCT SPEC
	1 PLC ±0.2	APVD: D. DIXON 06JAN2011	APPLICATION SPEC
	2 PLC ±0.13		SIZE: CAGE CODE DRAWING NO. RESTRICTED TO
	3 PLC ±		WEIGHT: A100779C=2110123
	4 PLC ±		Customer Drawing
MATERIAL:	ANGLES		SCALE: 6:1 SHEET 1 OF 1 REV: C2
SEE TABLE	FINISH		

单击下面可查看定价，库存，交付和生命周期等信息

[>>TE Connectivity\(泰科\)](#)