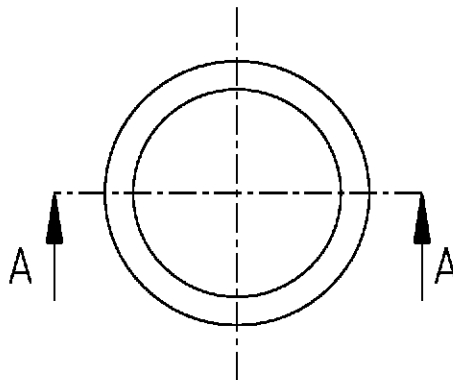
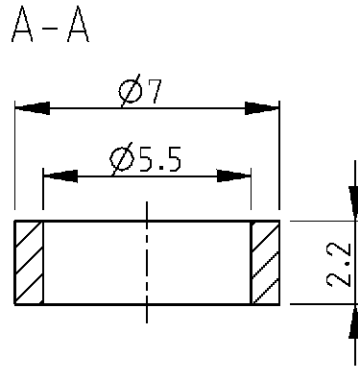


LOC	DIST	REVISIONS			
P	LTR	DESCRIPTION	DATE	DWN	APVD
GW	-	A	-	05APR2001	CM KM




1:1

C23335-A801-C339	1393562-2	Ring	Brass	min 2 µm Ni
Old Nr	Tyco Nr	Description	Material	Plating

2000
RELEASED FOR PUBLICATION

THIS DRAWING IS UNPUBLISHED.
COPYRIGHT 2000 BY TYCO ELECTRONICS CORPORATION. ALL RIGHTS RESERVED.

DIMENSIONS: mm	DWN MOROBE	07MAR2001	MATERIAL	-	FINISH	-
	CHR MATTHEEUWS	08MAR2001	 Tyco Electronics Oostkamp - Belgium			
TOLERANCES UNLESS OTHERWISE SPECIFIED:	APVD BOZZER	5APR2001				
0 PLC ±	PRODUCT SPEC	108-71032	NAME	RING		
1 PLC ±0.5	APPLICATION SPEC	-	SIZE	CAGE CODE	DRAWING NO	RESTRICTED TO
2 PLC ±0.13	WEIGHT	-	A4	00779	©=1393562-2	-
3 PLC ±0.013			CUSTOMER DRAWING			
4 PLC ±0.0001			SCALE	SHEET	OF	REV
ANGLES ±			5/1	1	1	A

单击下面可查看定价，库存，交付和生命周期等信息

[>>TE Connectivity\(泰科\)](#)