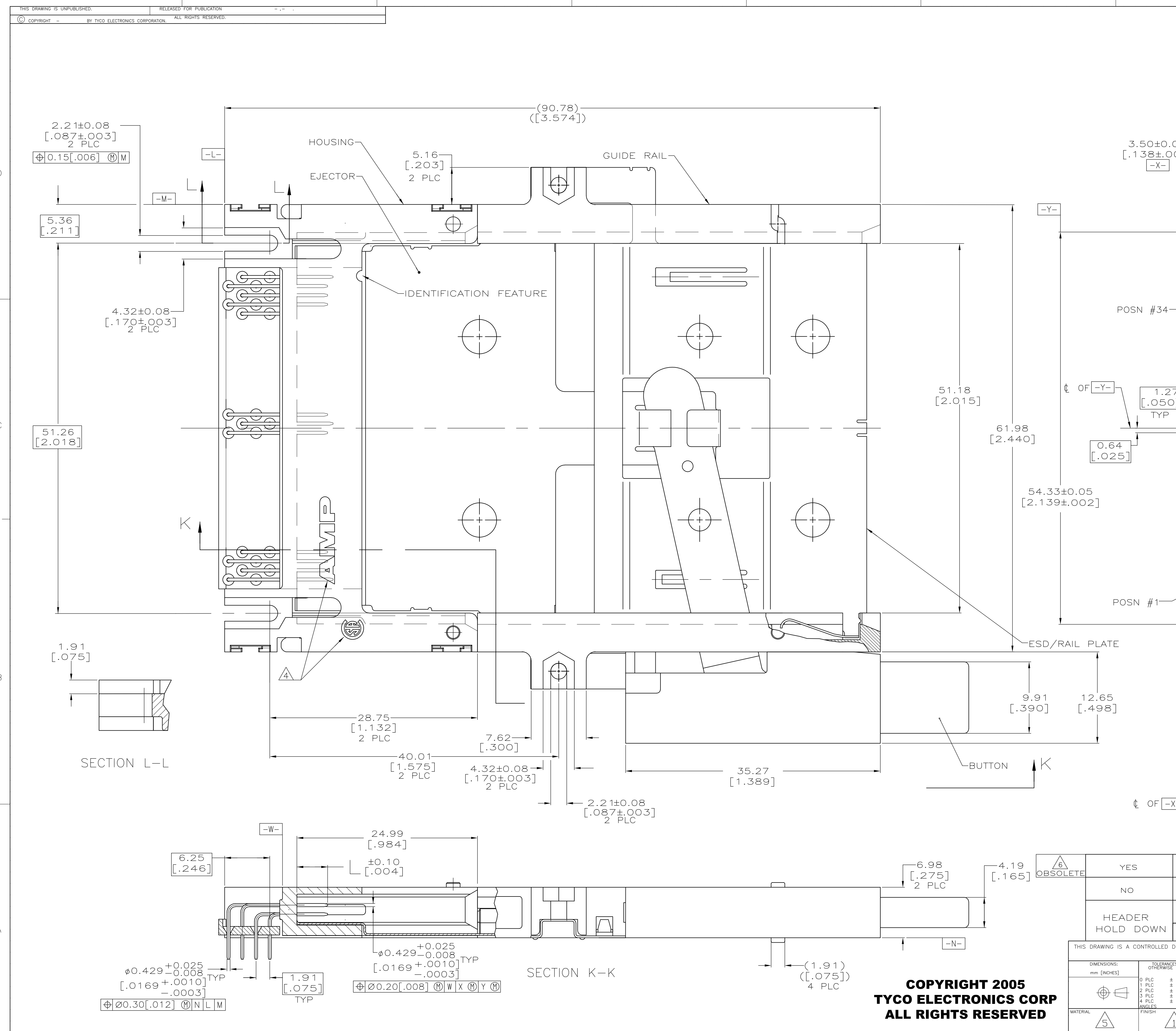


LOC		DIST		REVISIONS			
GP	00	REV	DATE	DESCRIPTION	DATE	OWN	APVD
		0	03-23-05	REL PER EC 0513-0031-05	03-23-05	AF	JG
		01	07NOV09	REVISED PER ECO-09-024927	07NOV09	KK	AEG

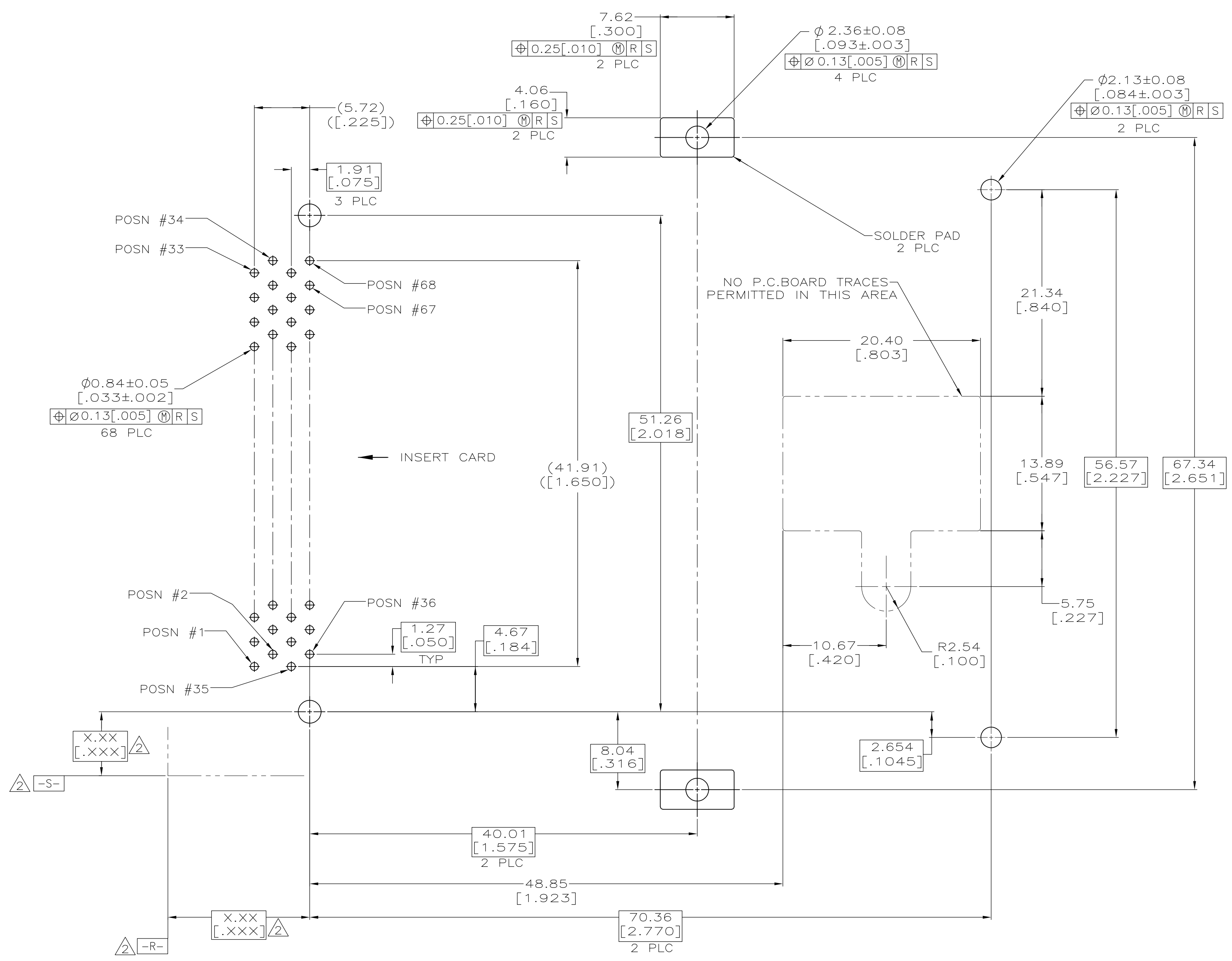


OBSOLETE	YES	1,17,34 35,51,68	ALL OTHER PINS	36,67	—1=5146023=1—
	NO	1,17,34 35,51,68	ALL OTHER PINS	36,67	5146023-1
	HEADER HOLD DOWN	5.0 [.197]	4.25 [.167]	3.5 [.138]	PART NUMBER
"L" (PIN LENGTH) AND LOCATION					

THIS DRAWING IS A CONTROLLED DOCUMENT.		OWN A. FERNANDEZ-DOCKS	03-23-05	Tyco Electronics Corporation Harrisburg, Pa 17105-3608	
DIMENSIONS: mm (INCHES)		CHK D.L. GORENC	03-23-05	NAME M. WALMSLEY	
TELEGRAMS UNLESS OTHERWISE SPECIFIED:		PRODUCT SPEC		CONNECTION ASSY, PIN HEADER WITH LH EJECTOR, 68 POSN, TOP BD MTG, THRU-HOLE, AMP MEMORY CARD	
0 PLC ±		APVD		SIZE CAGE CODE DRAWING NO RESTRICTED TO	
1 PLC ±		M. WALMSLEY		WEIGHT 24.4 GRAMS A1 00779 C=5146023	
2 PLC ± 0.13 [000]		APPLICATION SPEC		CUSTOMER DRAWING SCALE 4:1 SHEET 1 OF 3 REV 01	
3 PLC ±					
4 PLC ±					
ANGLES ±					
MATERIAL 5		FINISH 1			

**COPYRIGHT 2005
TYCO ELECTRONICS CORP
ALL RIGHTS RESERVED**

LOC		DIST		REVISIONS			
GP	00	REV	DATE	DESCRIPTION	DATE	DWN	APVD
		0		SEE SHEET 1			

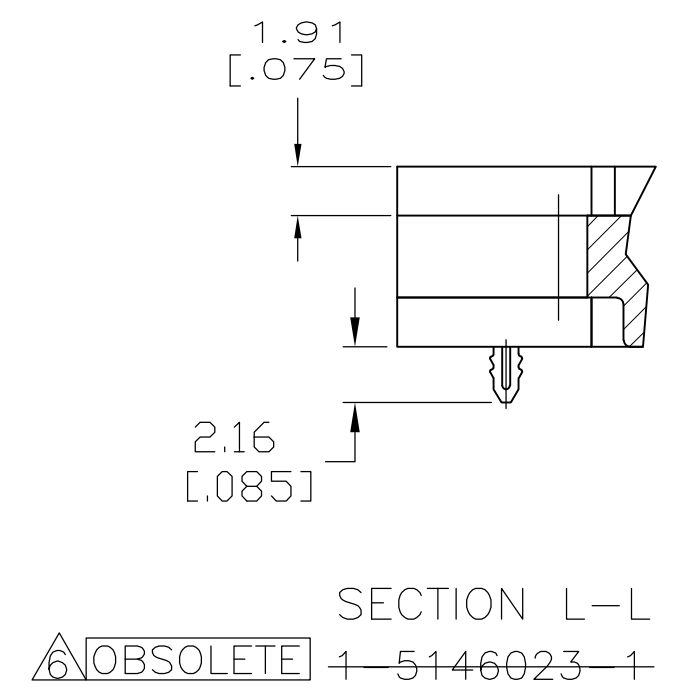
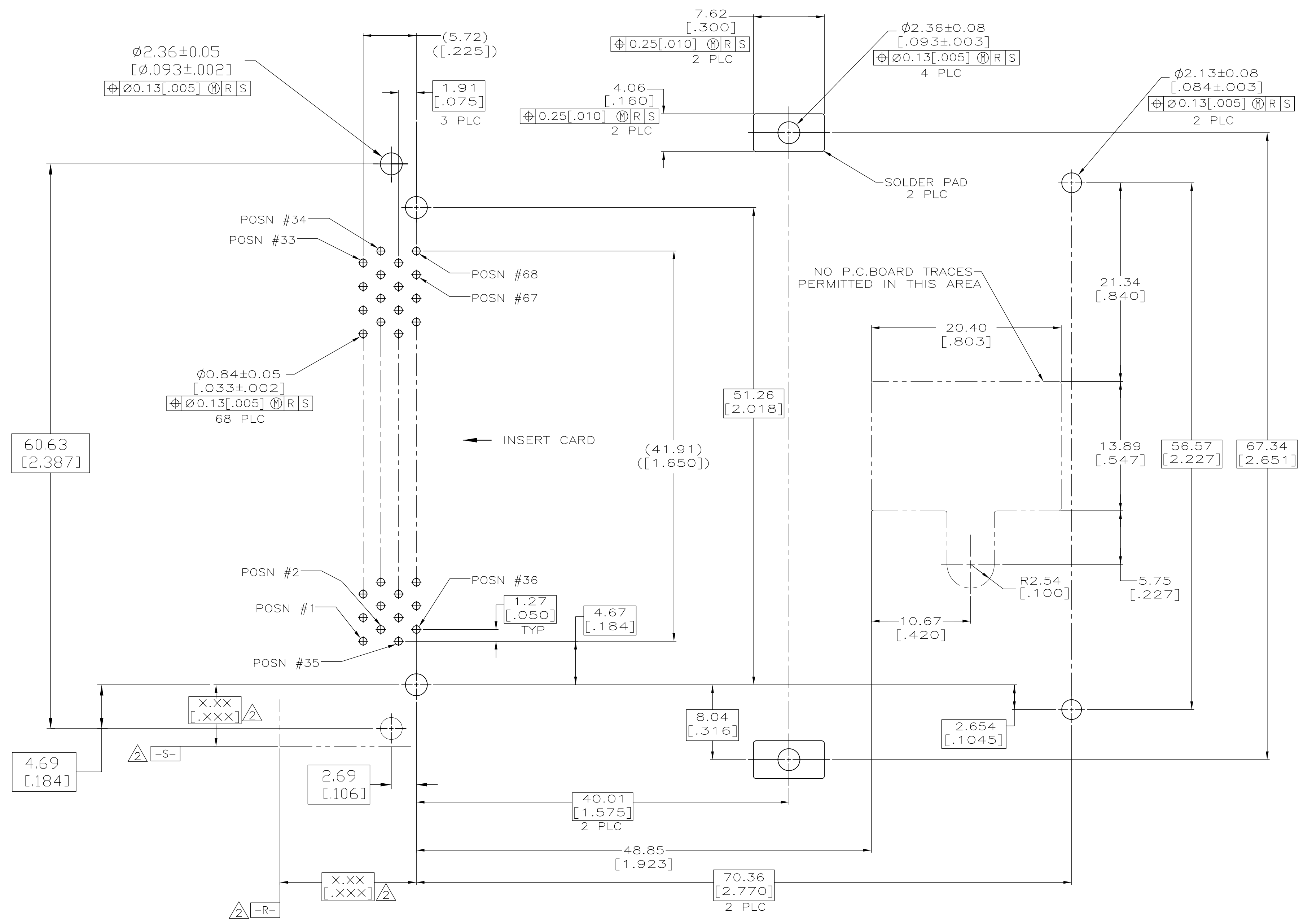


- 1. PIN:
0.00076[.000030] MINIMUM GOLD IN CONTACT AREA,
0.00381[.000150] MIN TIN ON SOLDER TAILS,
ALL OVER 0.00127[.000050] MINIMUM NICKEL
- 2. DATUMS AND BASIC DIMENSIONS ESTABLISHED BY CUSTOMER
- 3. CONNECTOR REQUIRES USE OF 4 - SIZE 2M SCREWS FOR FASTENING TO PRINTED CIRCUIT BOARD
- 4. RECESSED AMP AND CSA LOGOS LOCATED ON BOTH SIDES OF HOUSING.
- 5. MATERIAL:
HOUSING, GUIDES, SHROUD, BUTTON & ORGANIZER: LCP, COLOR: BLACK
PINS: BRASS
EJECTOR, RAIL PLATE & LEVER: STAINLESS STEEL
- 6. OBSOLETE PARTS: OBSOLETE CIS STREAMLINING PER D.RENAUD/D.SINISI

RECOMMENDED BOARD LAYOUT
5146023-1

**COPYRIGHT 2005
TYCO ELECTRONICS CORP
ALL RIGHTS RESERVED**

THIS DRAWING IS A CONTROLLED DOCUMENT.		DWN A FERNANDEZ-DOCKS 03-23-05	CHK D.L. GORENC 03-23-05	Tyco Electronics Corporation Harrisburg, Pa 17105-3608	
DIMENSIONS: mm (INCHES)	TOLERANCES UNLESS OTHERWISE SPECIFIED:	APVD M. WALMSLEY 03-23-05	NAME D.L. GORENC	CONNECTOR ASSY, PIN HEADER WITH LH EJECTOR, 68 POSN, TOP BD MTG, THRU-HOLE, AMP MEMORY CARD	
	0 PLC ± -	PRODUCT SPEC	APPLICATION SPEC	SIZE A1	CAGE CODE 00779
	1 PLC ± -	WEIGHT	CUSTOMER DRAWING	DRAWING NO 5146023	RESTRICTED TO
	2 PLC ± 0.13 [0.005]			SCALE 4:1	SHEET 2 OF 3
	3 PLC ± -			REV 01	
	4 PLC ± -				
	ANGLES ± -				



RECOMMENDED BOARD LAYOUT
 1-5146023-1

**COPYRIGHT 2005
 TYCO ELECTRONICS CORP
 ALL RIGHTS RESERVED**

THIS DRAWING IS A CONTROLLED DOCUMENT.		DWN A FERNANDEZ-DOCKS 03-24-05	03-24-05	Tyco Electronics Corporation Harrisburg, Pa 17105-3608	
DIMENSIONS: mm (INCHES)		CHK D.L. GORENC 03-24-05	03-24-05	NAME M. WALMSLEY	
TOLERANCES UNLESS OTHERWISE SPECIFIED:		APVD M. WALMSLEY 03-24-05	03-24-05	PRODUCT SPEC	
0 PLC ± -		APPLICATION SPEC		SIZE CAGE CODE DRAWING NO RESTRICTED TO	
1 PLC ± -		WEIGHT		A1 00779 C=5146023	
2 PLC ± 0.13 [0.005]		CUSTOMER DRAWING		SCALE 4:1 SHEET 3 OF 3 REV 01	
3 PLC ± -					
4 PLC ± -					
ANGLES ± -					
MATERIAL -					
FINISH -					

单击下面可查看定价，库存，交付和生命周期等信息

[>>TE Connectivity\(泰科\)](#)