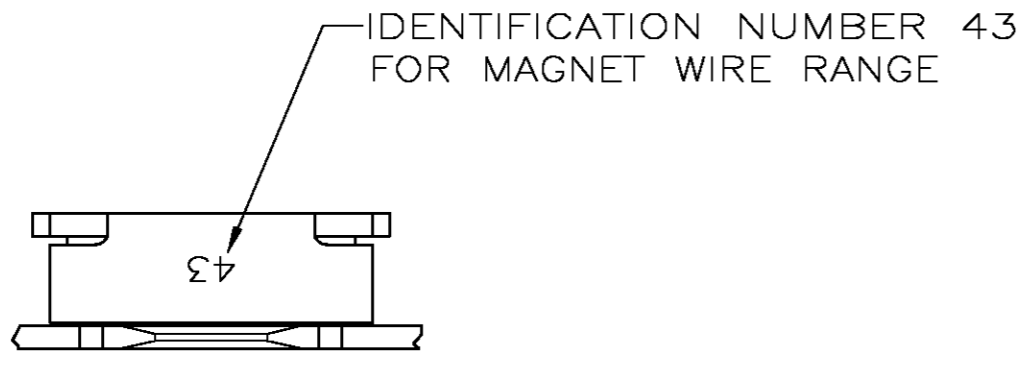
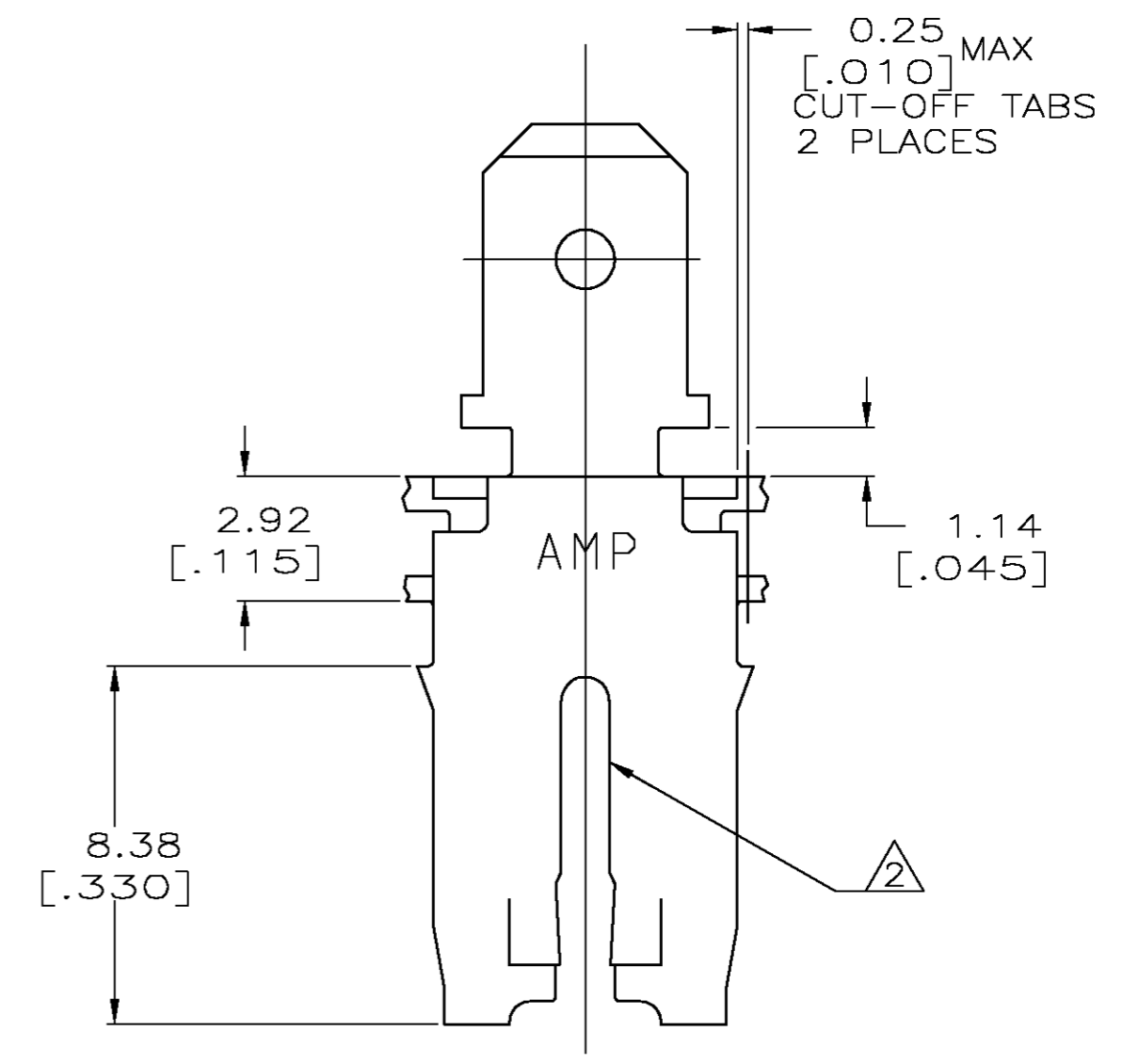
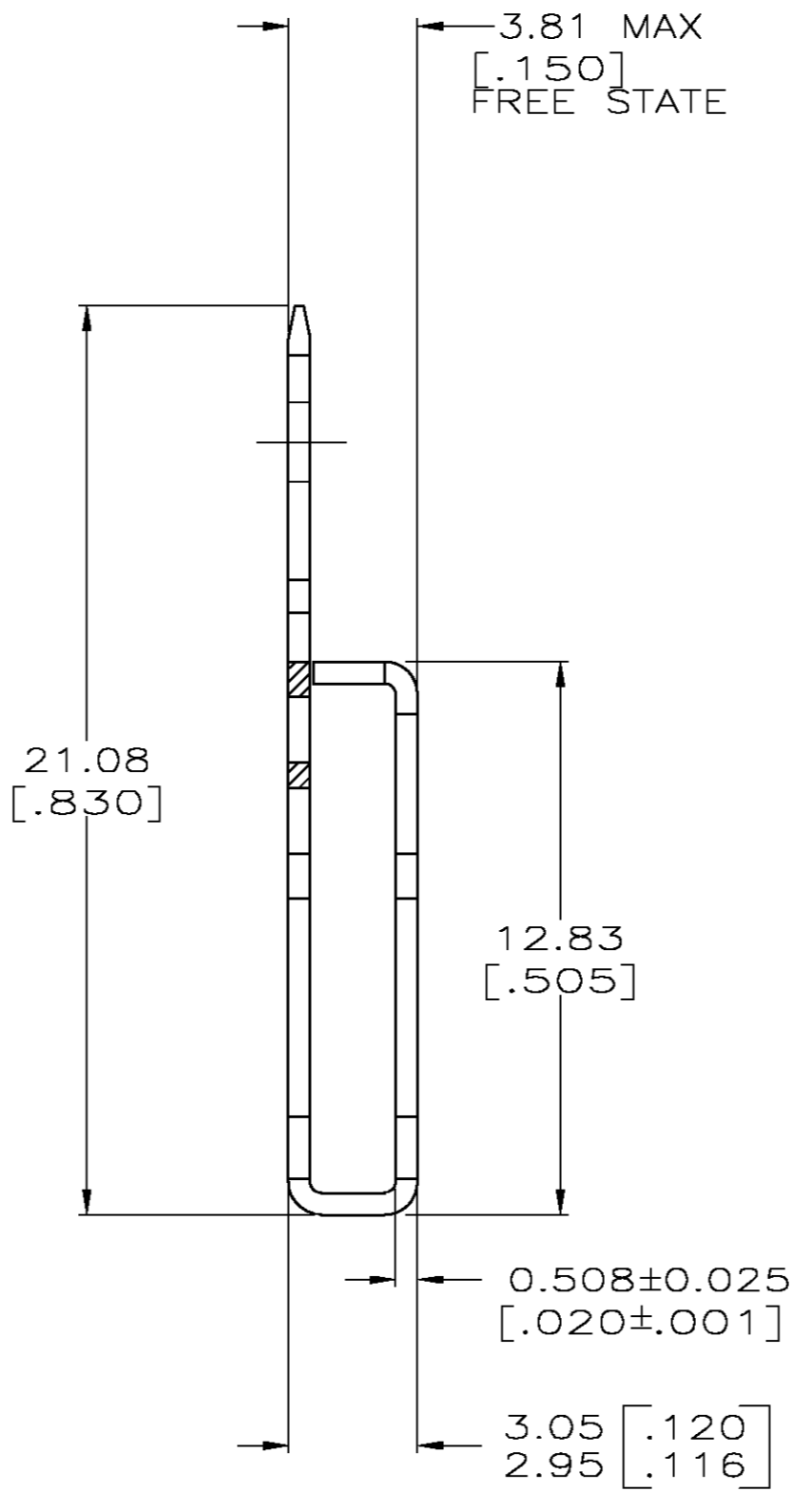
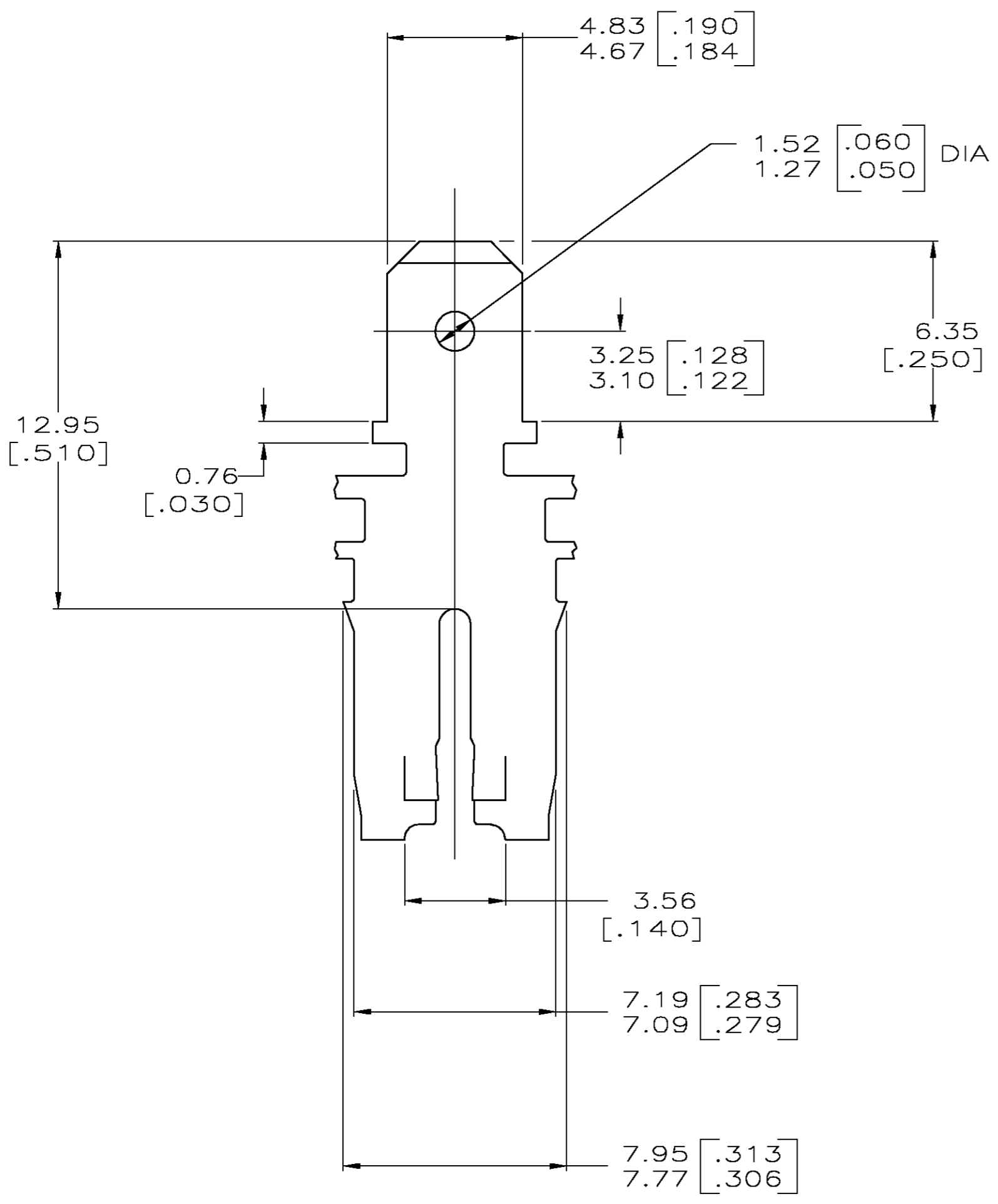


THIS DRAWING IS UNPUBLISHED. RELEASED FOR PUBLICATION
 © COPYRIGHT BY TYCO ELECTRONICS CORPORATION. ALL RIGHTS RESERVED.

LOC		DIST		REVISIONS			
P	LTR	DESCRIPTION		DATE	DWN	APVD	
AF	50	A	REV & REL PER	0G3A-0053-03	14FEB03	JR	KR



- ① CONTINUOUS STRIP ON REELS WITH TERMINALS LOCATED ON 8.38±0.08 [.330±.003] CENTERS.
- ② SLOT TERMINATES A SINGLE MAGNET WIRE ONLY. COPPER RANGE: 1.54-1.83mm [#14.5-#13] AWG. ALUMINUM RANGE: 183-2.05mm [#13-#12] AWG.
- 3 AFTER INSERTION INTO PLASTIC 'HOLDER' TAB PORTION MUST BE BENT OVER 45 TO 90 OR POTTED-IN TO PREVENT PULL-OUT WHEN MATING RECEPTACLE IS DISCONNECTED.



1217902-1
PART NUMBER

THIS DRAWING IS A CONTROLLED DOCUMENT.		DWN MICHAEL S. FEHER 03DEC2002	Tyco Electronics Corporation Harrisburg, PA 17105-3608	
DIMENSIONS: INCHES		CHK KURT A. RANDOLPH 03DEC2002	NAME TAB, 4.75[.187] FASTON,™ 500 SERIES MAG-MATE™	
TOLERANCES UNLESS OTHERWISE SPECIFIED:		APVD KURT A. RANDOLPH 03DEC2002	PRODUCT SPEC 108-2053	
0 PLC ± -		APPLICATION SPEC 114-2066		
1 PLC ± -		WEIGHT -		
2 PLC ± 0.25[.010]		SIZE A2		
3 PLC ± -		CAGE CODE 00779		
4 PLC ± -		DRAWING NO C=1217902		
ANGLES ± -		RESTRICTED TO -		
FINISH 0.002032[.000080] MIN TIN PLATE		SCALE 6:1		
MATERIAL H03 BRASS		SHEET 1 OF 1		
CUSTOMER DRAWING		REV A		

单击下面可查看定价，库存，交付和生命周期等信息

[>>TE Connectivity\(泰科\)](#)