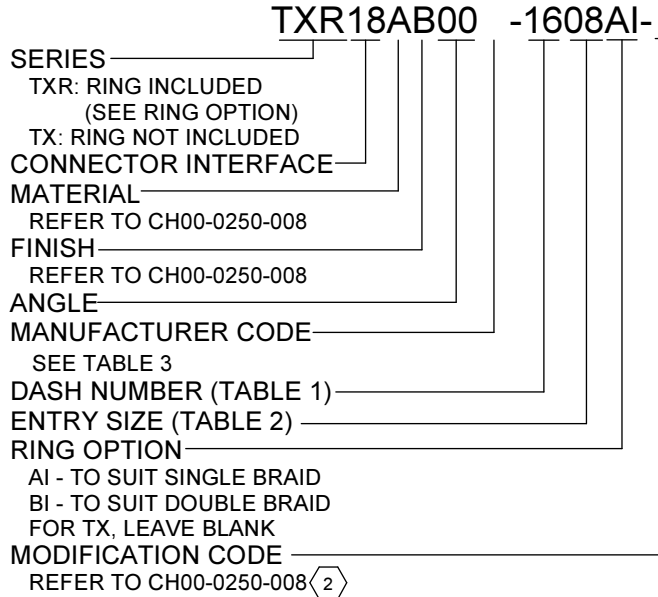


## CODE 18 - TINEL-LOCK BACKSHELL



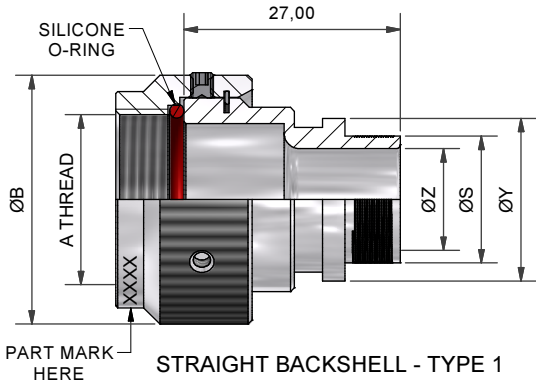
### NOTES:

1. THIS PRODUCT IS DESIGNED TO TERMINATE A BRAIDED CABLE SHIELD AND A HEAT SHRINKABLE LIPPED BOOT TO A CONNECTOR.
- (2) FOR ADDITIONAL DIMENSIONS, ORDERING INFORMATION AND MODIFICATIONS, SEE CH00-0250-008.
- (3) SEE DRAWING TR FOR DETAIL ON TINEL-LOCK RING, RINGS ARE DESIGNED TO BE HEATED ELECTRICALLY, ALL RINGS ARE MARKED WITH THERMOCHROMIC PAINT WHICH CHANGES COLOUR WHEN INSTALLATION TEMPERATURE IS REACHED.
4. BACKSHELL TO BE PERMANENTLY MARKED/BAGGED AND LABELLED WITH CODE IDENTIFICATION NUMBER AND PART NUMBER LESS RING DESIGNATOR. (e.g. 06090-TXR18AB00-1406). RING SHALL BEAR NO MARKING.
- (5) IF MAX ENTRY IS EXCEEDED, A 2 PIECE BACKSHELL ASSEMBLY (TYPE 2) IS SUPPLIED.
6. BACKSHELL MATES TO MIL-DTL-5015D, CLASS A, E & R, MS3100, MS3101 & MS3106. RESILIENT INSERT, SOLDER TYPE & BENDIX 10-214, CANNON CA-RX COMMERCIAL CRIMP TYPE.
- (7) ADDITIONAL PIECE(S) SUPPLIED WHEN CONNECTOR MANUFACTURER IS UNKNOWN ("D" IN TABLE 1).
- (8) ALL THREADS SIZES FOR ORDER NO. APPLY
- (9) ANTI-ROTATIONAL SET SCREW, THREE THREADED HOLES 120° ± 5° APART, SINGLE MATING SET SCREW SUPPLIED: AN565DC4H2, NOT REQUIRED FOR TYPE 2 ADAPTERS.

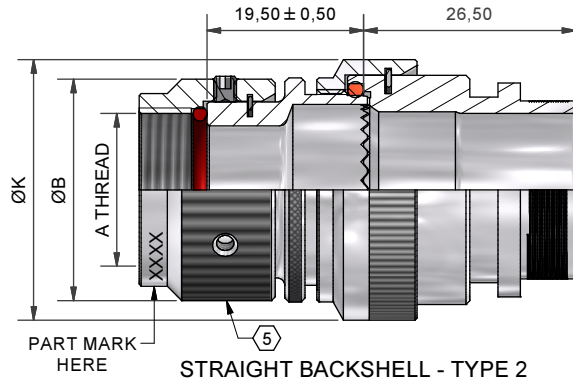
If this document is printed it becomes uncontrolled. Check for the latest revision

DRAWN	K.WINCZURA	DATE 18/12/2014	 3RD ANGLE PROJECTION NOT TO SCALE	<b>TITLE:</b>  <div style="text-align: center; font-size: 1.2em;">TINEL-LOCK BACKSHELL</div>	 <b>Polanco</b> 
CHECKED		18/12/2014	UNLESS OTHERWISE SPECIFIED ALL DIMENSIONS IN MILLIMETRES GENERAL TOL LINEAR +/-0.25MM ANGULAR +/- 1°	<b>ASSY USED ON:</b>  <div style="text-align: center; font-size: 1.2em;">MIL-DTL-5015D</div>	
APPROVED	K.SHEPPARD	19/12/2014			
APPROVED	H.SMITH	07/07/2015			
<b>REVISIONS</b>					
LTR	DESCRIPTION	DATE	APPROVED		
J	REVISED PER ECO-15-002435	18/02/2015	H.SMITH		
K	REVISED PER ECO-15-009990	07/07/2015	H.SMITH		
TE CAGE CODE: 06090 POLAMCO/TE CAGE CODE: U5792				TE CONNECTIVITY - POLAMCO LTD RESERVES THE RIGHT TO AMEND THIS DRAWING AND THEREIN SHOULD BE THEIR APPLICATION.	DRAWING NO: <div style="font-size: 1.2em;">TXR18</div>
				DRAWING REV: <div style="font-size: 1.2em;">K</div>	SHT <div style="font-size: 1.2em;">1</div>

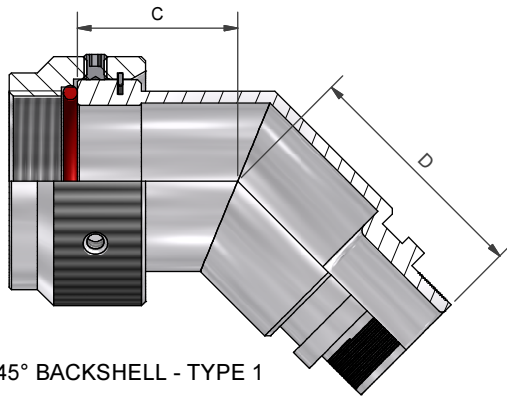
IF MAX ENTRY IS EXCEEDED BACKSHELL WILL BE SUPPLIED AS TYPE 2



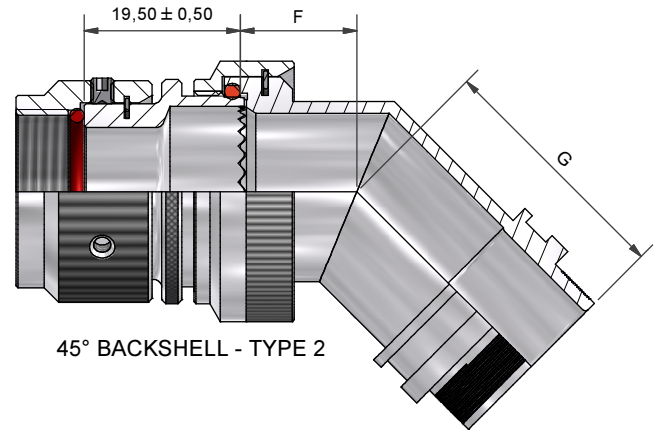
STRAIGHT BACKSHELL - TYPE 1



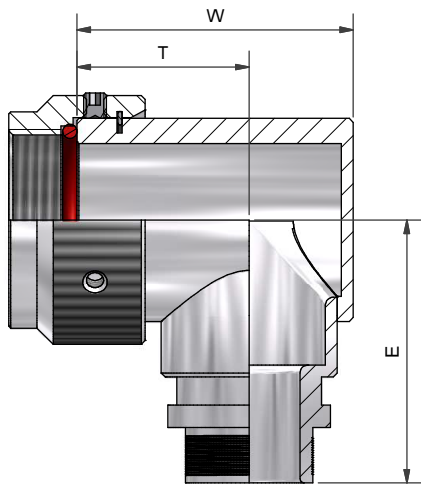
STRAIGHT BACKSHELL - TYPE 2



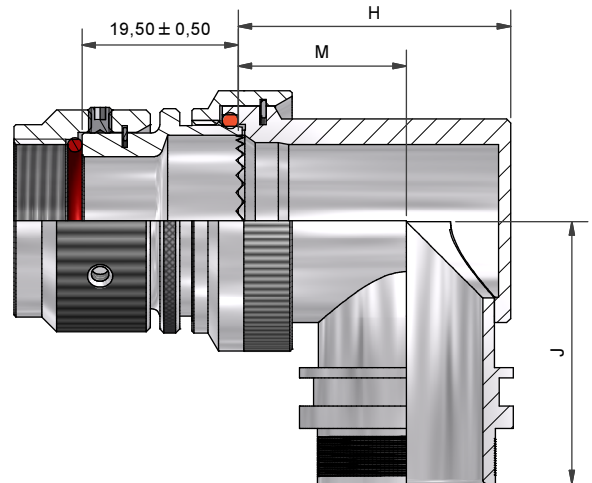
45° BACKSHELL - TYPE 1



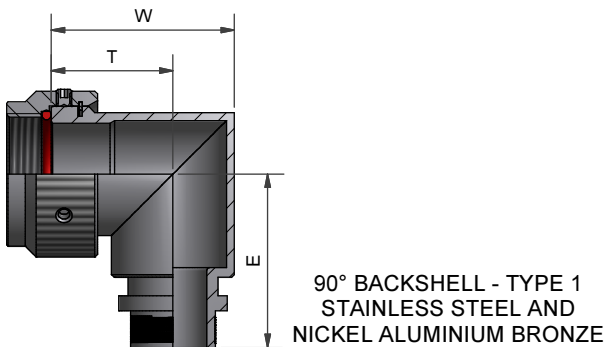
45° BACKSHELL - TYPE 2



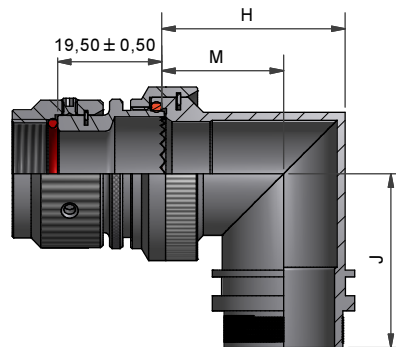
90° BACKSHELL - TYPE 1



90° BACKSHELL - TYPE 2



90° BACKSHELL - TYPE 1  
STAINLESS STEEL AND  
NICKEL ALUMINIUM BRONZE



90° BACKSHELL - TYPE 2  
STAINLESS STEEL AND  
NICKEL ALUMINIUM BRONZE

DRAWN	K.WINCZURA	DATE	18/12/2014
CHECKED		DATE	18/12/2014
APPROVED	K.SHEPPARD	DATE	19/12/2014
APPROVED	H.SMITH	DATE	07/07/2015

3RD ANGLE PROJECTION NOT TO SCALE

UNLESS OTHERWISE SPECIFIED ALL DIMENSIONS IN MILLIMETRES  
GENERAL TOL LINEAR +/-0,25MM  
ANGULAR +/- 1°

TITLE: TINEL-LOCK BACKSHELL

ASSY USED ON: MIL-DTL-5015D

REVISIONS			
LTR	DESCRIPTION	DATE	APPROVED
J	REVISED PER ECO-15-002435	18/02/2015	H.SMITH
K	REVISED PER ECO-15-009990	07/07/2015	H.SMITH

TE CAGE CODE: 06090  
POLAMCO/TE CAGE CODE: U5792

TE CONNECTIVITY - POLAMCO LTD RESERVES THE RIGHT TO AMEND THIS DRAWING AND THEREOF INDEPENDENTLY. Downloaded From [Oneyac.com](http://Oneyac.com) SHOULD BE IN THEIR APPLICATION.

DRAWING NO: TXR18

DRAWING REV: K

SHT 2



TABLE 1

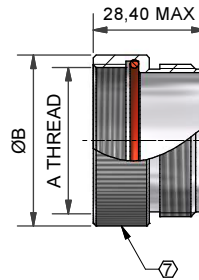
ORDER NUMBER	SHELL SIZE	MFR CODE TABLE 3	MAX ENTRY	A THREAD	ØB MAX	C ±0,5	D ±0,5	W ±0,5	T ±0,5	E ±0,5	THESE DIMENSIONS APPLY IF BACKSHELL IS STAINLESS STEEL OR NICKEL ALUMINIUM BRONZE		
											W ±0,5	T ±0,5	E ±0,5
08	8S	B	04	3/8-32 UNEF	18,5	15,0	20,1	21,7	15,2	26,0	21,7	15,2	29,0
	8S	C	04	7/16-28 UNEF	18,1	15,0	20,1	21,7	15,2	26,0	21,7	15,2	29,0
	8S	A, R	04	7/16-27 UNS	18,5	15,0	20,1	21,7	15,2	26,0	21,7	15,2	29,0
	8S	D (8)	04	(7)	18,5	15,0	20,1	21,7	15,2	26,0	21,7	15,2	29,0
10	10S	-	06	1/2-28 UNEF	19,8	15,4	21,6	23,2	15,7	27,7	23,2	15,7	31,2
11	10SL	C	07	9/16-24 UNEF	21,6	18,4	21,6	25,0	16,5	27,7	27,2	17,5	33,0
	10SL	A, B, R	07	5/8-24 UNEF	23,2	18,4	21,6	27,2	17,5	27,7	27,2	17,5	33,0
	10SL	D (8)	07	(7)	23,2	18,4	21,6	27,2	17,5	27,7	27,2	17,5	33,0
12	12 & 12S	B, C	08	5/8-24 UNEF	23,0	18,4	21,6	27,2	17,5	27,7	27,2	17,5	33,0
	12 & 12S	A, R	08	11/16-24 UNEF	24,9	18,4	21,6	27,2	17,5	27,7	27,2	17,5	33,0
	12 & 12S	D (8)	08	(7)	24,9	18,4	21,6	27,2	17,5	27,7	27,2	17,5	33,0
14	14 & 14S	-	10	3/4-20 UNEF	27,7	19,3	22,2	30,7	19,5	30,7	30,7	19,5	34,9
16	16 & 16S	-	12	7/8-20 UNEF	31,1	20,0	23,6	34,2	21,5	32,4	34,2	21,5	35,5
18	18	-	12	1-20 UNEF	34,4	20,6	23,7	37,2	23,0	34,0	37,2	23,0	37,2
20	20	A, B, C	16	1 1/8-18 UNEF	37,6	21,3	24,6	40,7	24,5	35,6	40,7	24,5	38,7
	20	R	16	1 1/8-24 UNS	37,6	21,3	24,6	40,7	24,5	35,6	40,7	24,5	38,7
	20	D (8)	16	(7)	37,6	21,3	24,6	40,7	24,5	35,6	40,7	24,5	38,7
22	22	-	18	1 1/4-18 UNEF	40,6	21,9	25,0	43,7	26,0	37,1	43,7	26,0	40,2
24	24	-	20	1 3/8-18 UNEF	43,6	22,5	25,4	46,7	27,5	38,6	46,7	27,5	44,9
28	28	-	22	1 5/8-18 UNEF	48,6	23,6	25,4	51,7	30,0	41,1	51,7	30,0	46,0
32	32	B, C	24	1 7/8-16 UN	54,9	24,9	27,5	58,4	32,7	44,5	58,4	32,2	51,3
	32	A, R	24	1 29/32-18 UN	54,9	24,9	27,5	58,4	32,7	44,5	58,4	32,2	51,3
	32	D (8)	24	(7)	54,9	24,9	27,5	58,4	32,7	44,5	58,4	32,2	51,3
36	36	B	24	2 1/16-16 UNS	64,6	27,5	29,0	67,7	38,0	49,1	67,7	38,0	54,3
	36	R	24	2 1/16-20 UNS	64,6	27,5	29,0	67,7	38,0	49,1	67,7	38,0	54,3
	36	C	24	2 1/8-16 UN	64,6	27,5	29,0	67,7	38,0	49,1	67,7	38,0	54,3
	36	A	24	2 1/8-18 UNS	64,6	27,5	29,0	67,7	38,0	49,1	67,7	38,0	54,3
	36	D (8)	24	(7)	64,6	27,5	29,0	67,7	38,0	49,1	67,7	38,0	54,3
40	40	B	24	2 5/16-16 UN	70,6	30,1	30,1	72,2	41,1	51,3	72,2	41,1	57,5
	40	A, C, R	24	2 3/8-16 UN	70,6	30,1	30,1	72,2	41,1	51,3	72,2	41,1	57,5
	40	D (8)	24	(7)	69,3	30,1	30,1	72,2	41,1	51,3	72,2	41,1	57,5
44	44	-	24	2 5/8-16 UN	82,0	30,1	30,1	77,6 MAX	41,1	51,3	72,2	41,1	57,5
48	48	C	24	2 13/16-18 UNS	82,0	31,3	38,5	84,0 MAX	44,1	57,5	75,5	40,8	57,5
	48	A, R	24	2 7/8-16 UN	82,0	31,3	38,5	84,0 MAX	47,2	57,5	75,5	40,8	57,5
	48	D (8)	24	(7)	82,0	31,3	38,5	84,0 MAX	47,2	57,5	75,5	40,8	57,5

TABLE 2

ENTRY SIZE	ØZ MIN	ØS	ØY ±0,3	ØK MAX	F ±0,5	G ±0,5	H ±0,5	M ±0,5	J ±0,5	THESE DIMENSIONS APPLY IF BACKSHELL IS STAINLESS STEEL OR NICKEL ALUMINIUM BRONZE		
										H ±0,5	M ±0,5	J ±0,5
04	6,35	9,49 +/-0,04	14,00	NA	NA	NA	NA	NA	NA	NA	NA	NA
05	7,92	11,06 +/-0,04	15,50	21,0	12,5	27,5	24,0	15,5	27,95	24,3	17,2	28,2
06	9,53	12,66 +/-0,04	17,10	21,0	12,5	27,5	24,0	15,5	27,95	24,3	17,2	28,2
07	11,10	14,21 +/-0,07	18,70	21,0	12,5	27,5	24,0	15,5	27,95	24,3	17,2	28,2
08	12,70	15,81 +/-0,07	20,30	24,5	13,1	28,0	27,0	17,0	29,45	28,3	19,4	29,7
10	15,88	18,96 +/-0,08	23,50	29,0	13,5	29,0	31,0	19,5	31,00	31,1	21,0	31,2
12	19,05	22,14 +/-0,08	26,70	32,5	14,5	29,7	34,0	21,0	32,70	34,2	22,8	32,9
14	22,23	25,30 +/-0,08	29,80	35,5	15,5	30,5	35,0	20,0	34,25	38,5	25,3	34,5
16	25,40	28,48 +/-0,08	33,00	37,0	16,1	30,9	38,0	21,5	35,80	40,7	26,1	36,1
18	28,58	31,65 +/-0,08	36,20	40,0	16,5	31,1	42,0	24,0	37,40	43,7	27,6	37,6
20	31,75	34,83 +/-0,08	39,40	43,5	17,0	32,1	45,0	25,5	38,90	46,4	29,1	39,1
22	34,93	37,98 +/-0,08	42,50	48,5	18,5	35,3	54,5	31,0	42,00	50,0	31,0	42,0
24	38,10	41,15 +/-0,08	45,70	52,1	21,9	38,1	58,0	33,0	46,00	53,5	33,0	46,0

TABLE 3

MFR CODE	CONNECTOR MANUFACTURER (MS 3100, MS 3101 & MS 3106)
A	AMPHENOL - CLASS A
B	BENDIX - CLASS A, E & R
C	CANNON - CLASS A, E & R
D	MFR UNKNOWN, CLASS A, E & R
R	AMPHENOL - CLASS R
-	MFR CODE NOT REQUIRED



If this document is printed it becomes uncontrolled. Check for the latest revision

DRAWN	K.WINCZURA	DATE	18/12/2014	<p>3RD ANGLE PROJECTION NOT TO SCALE</p>	<p>TITLE:</p> <p>TINEL-LOCK BACKSHELL</p>	<p>Polanco</p>												
CHECKED		DATE	18/12/2014															
APPROVED	K.SHEPPARD	DATE	19/12/2014															
APPROVED	H.SMITH	DATE	07/07/2015															
<p>UNLESS OTHERWISE SPECIFIED ALL DIMENSIONS IN MILLIMETRES GENERAL TOL LINEAR +/-0,25MM ANGULAR +/- 1°</p>					<p>ASSY USED ON:</p> <p>MIL-DTL-5015D</p>	<p>TE connectivity</p>												
<p>REVISIONS</p> <table border="1"> <thead> <tr> <th>LTR</th> <th>DESCRIPTION</th> <th>DATE</th> <th>APPROVED</th> </tr> </thead> <tbody> <tr> <td>J</td> <td>REVISED PER ECO-15-002435</td> <td>18/02/2015</td> <td>H.SMITH</td> </tr> <tr> <td>K</td> <td>REVISED PER ECO-15-009990</td> <td>07/07/2015</td> <td>H.SMITH</td> </tr> </tbody> </table>							LTR	DESCRIPTION	DATE	APPROVED	J	REVISED PER ECO-15-002435	18/02/2015	H.SMITH	K	REVISED PER ECO-15-009990	07/07/2015	H.SMITH
LTR	DESCRIPTION	DATE	APPROVED															
J	REVISED PER ECO-15-002435	18/02/2015	H.SMITH															
K	REVISED PER ECO-15-009990	07/07/2015	H.SMITH															
<p>TE CAGE CODE: 06090</p> <p>POLAMCO/TE CAGE CODE: U5792</p>																		
<p>TE CONNECTIVITY - POLAMCO LTD RESERVES THE RIGHT TO AMEND THIS DRAWING AND TO INDEP</p>					<p>DRAWING NO:</p> <p>TXR18</p>	<p>DRAWING REV:</p> <p>K</p>	<p>SHT</p> <p>3</p>											

单击下面可查看定价，库存，交付和生命周期等信息

[>>TE Connectivity\(泰科\)](#)