

THIS DRAWING IS UNPUBLISHED.

RELEASED FOR PUBLICATION

20

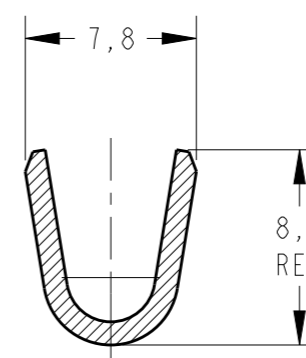
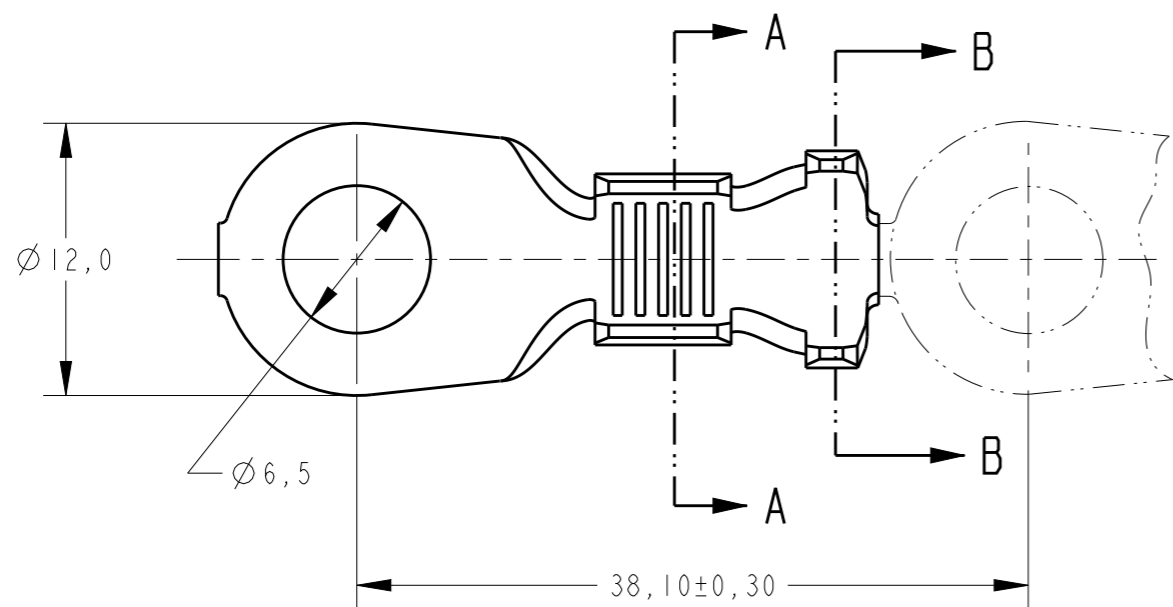
© COPYRIGHT 20 BY -

ALL RIGHTS RESERVED.

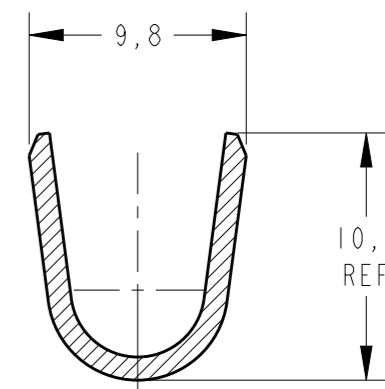
creo  
Creo Parametric 2.0  
**DO NOT REVISE  
EXCEPT BY CAD**

REVISIONS

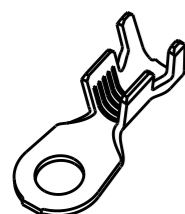
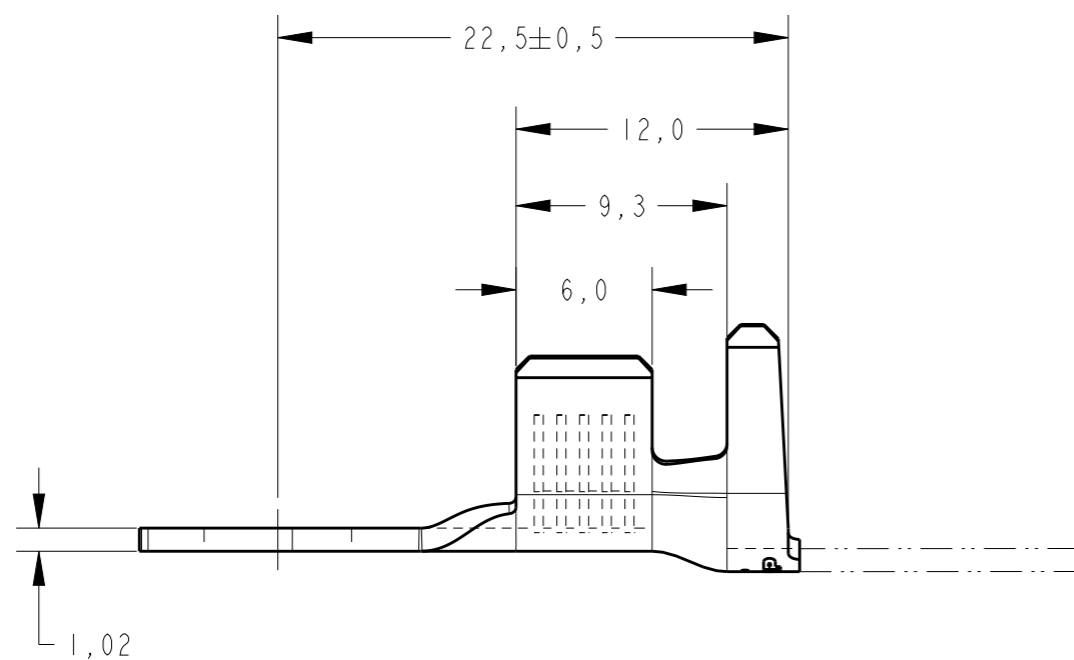
P	LTR	DESCRIPTION	DATE	DWN	APVD
B		REDRAW BY CAD ECO-14-012842	27AUG2014	NCL	GB
B1		REVISED DRAWING ECO-16-004517	24MAR2016	NCL	GB



SECTION A-A  
SCALE 3:1



SECTION B-B  
SCALE 3:1



PERSPECTIVE VIEW  
SCALE 1:1

Ø 4,6-7,7mm	6,0-10,0mm <sup>2</sup>	—	BRONZE FOSF.	444305-1
INSUL RANGE	WIRE RANGE	FINISH	MATERIAL	PART NO
THIS DRAWING IS A CONTROLLED DOCUMENT.		DWN 27AUG2014 NCLAPRESA	<b>TE Connectivity</b> NAME RING TONGUE M6 - - SIZE A3 CAGE CODE 00779 DRAWING NO C-444305 RESTRICTED TO -	
DIMENSIONS: mm		CHK 27AUG2014 FCHRISTIANO		
TOLERANCES UNLESS OTHERWISE SPECIFIED:		APVD 27AUG2014 GBONUCCI		
0 PLC ±- 1 PLC ±- 2 PLC ±0,3 3 PLC ±- 4 PLC ±- ANGLES ±-		PRODUCT SPEC - APPLICATION SPEC - WEIGHT -		
MATERIAL SEE TABLE	FINISH SEE TABLE	CUSTOMER DRAWING	SCALE 3:1	SHEET 1 OF 1 REV B1

单击下面可查看定价，库存，交付和生命周期等信息

[>>TE Connectivity\(泰科\)](#)