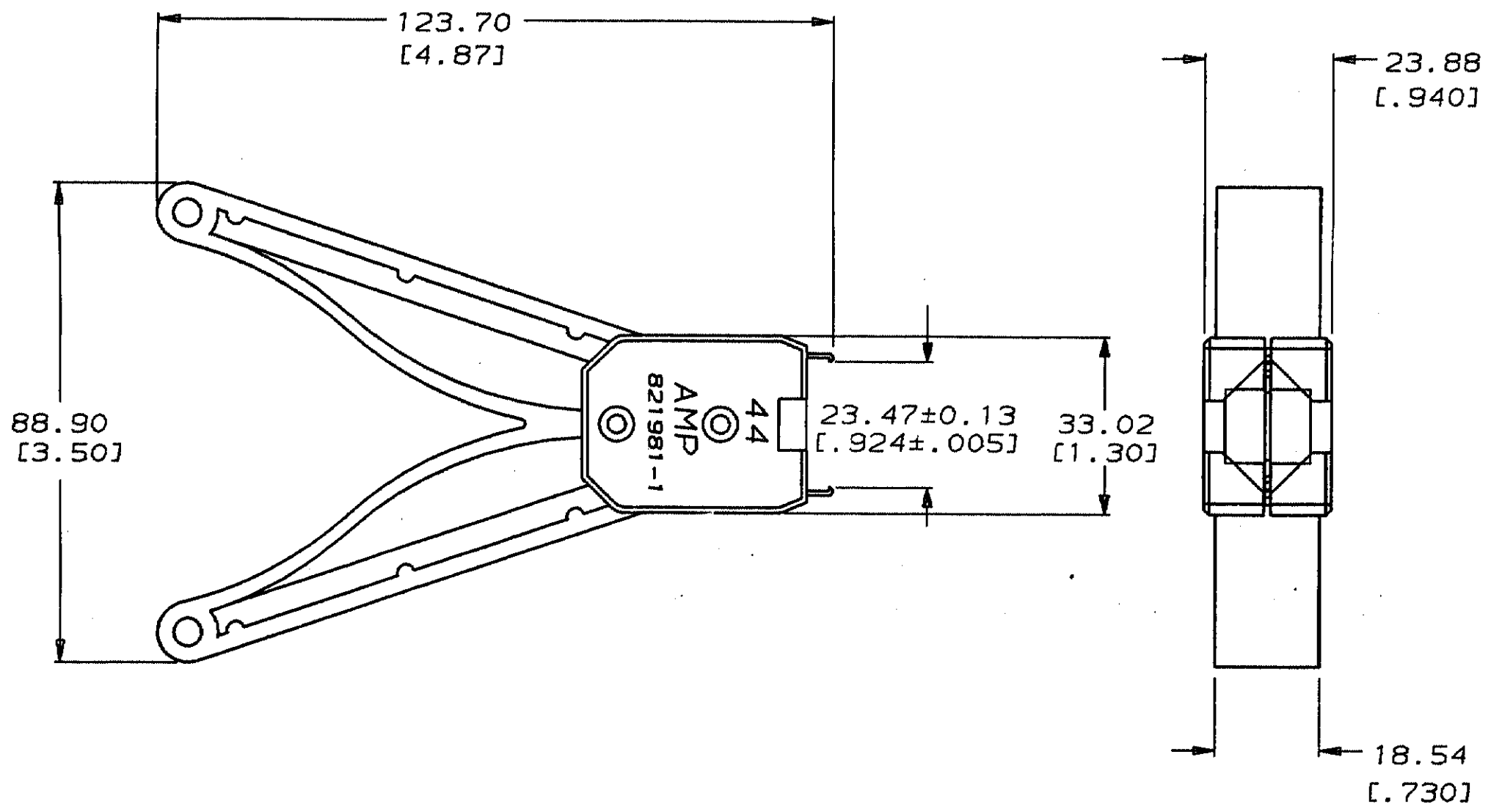


THIS DRAWING IS UNPUBLISHED. RELEASED FOR PUBLICATION, 19 .  
 © COPYRIGHT 19 BY AMP INCORPORATED. ALL INTERNATIONAL RIGHTS RESERVED.

LOC	DIST	REVISIONS				
AG	53	P	F	ZONE	LTR	
					B	
DESCRIPTION					DATE	APPD
REVISED PER AG-3047					10-27-92	PC CV



821981-1 SHOWN

DO NOT SCALE PRINT. UNLESS SPECIFIED DIMENSIONS IN mm [INCHES] TOLERANCES ON, 2 PLC DEC ± 0.2 [.01] 3 PLC DEC ± 0.25 [.010] ANGLES ± -		DR 8-1-91 C. WHITT		PART NO	
MATERIAL HANDLE- POLYACETAL END CAPS- POLYACETAL HOOK- STAINLESS STEEL 1.07±0.08 [.042±.003] THK		CHK 8-1-91 R. MILLER		AMP AMP Incorporated Harrisburg, PA 17105-3608	
FINISH HANDLE- COLOR, BLUE END CAPS- COLOR, BLUE		APPD 8-7-91 K. KREIDLER		NAME TOOL, EXTRACTION, PLCC, 44 POSN.	
		APPD -		SIZE B	CAGE CODE 00773
		PRODUCT SPEC -		DRAWING NO 821981	
		APPLICATION SPEC -		SCALE 1:1	SHEET - OF -
		WEIGHT -			

单击下面可查看定价，库存，交付和生命周期等信息

[>>TE Connectivity\(泰科\)](#)