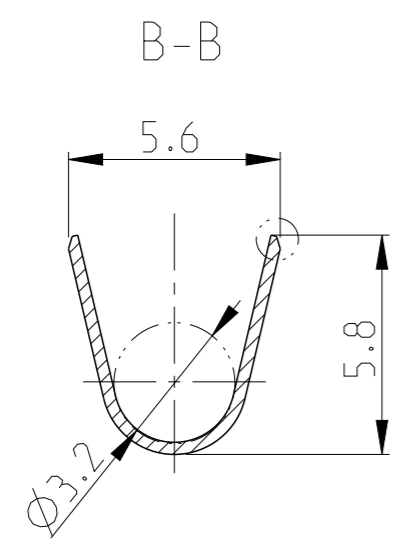
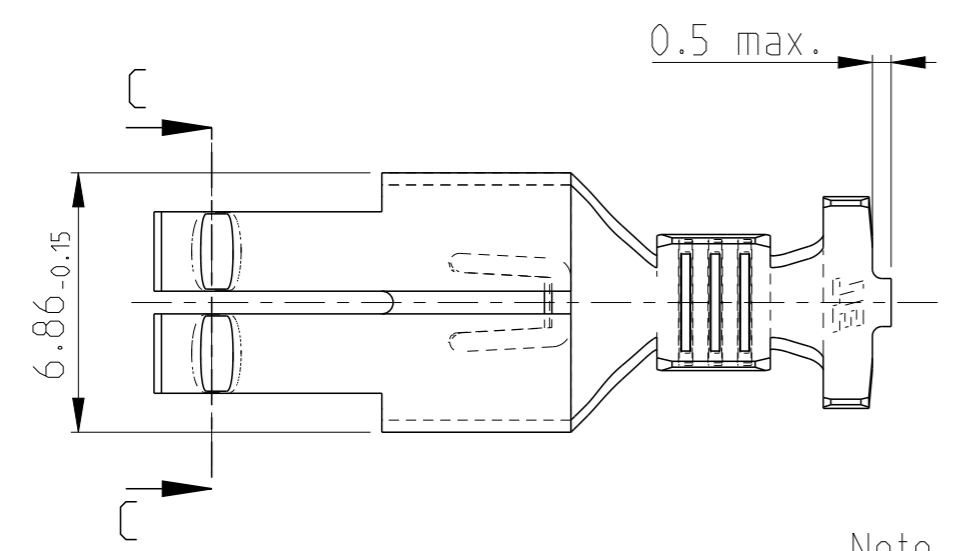
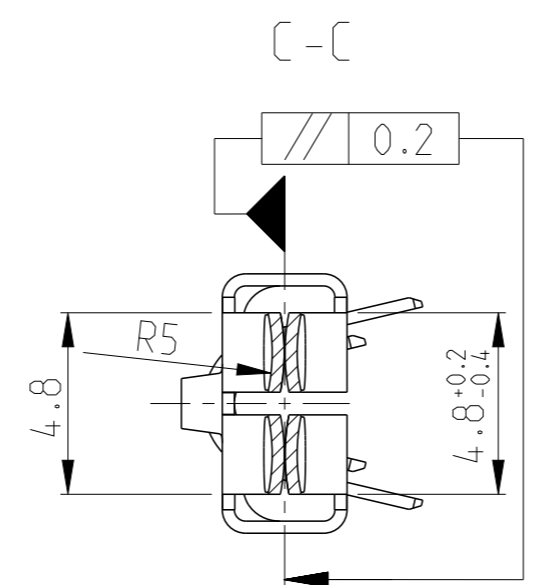
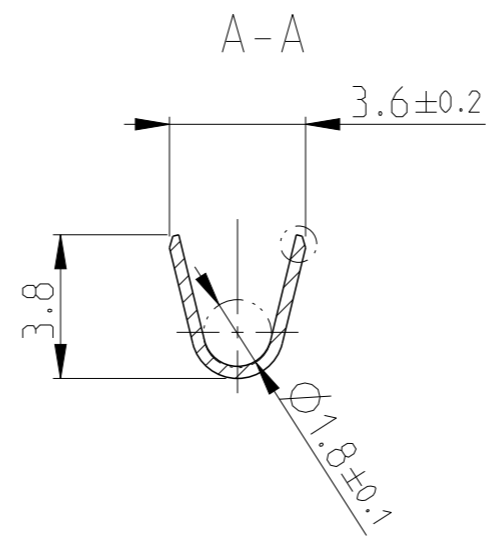
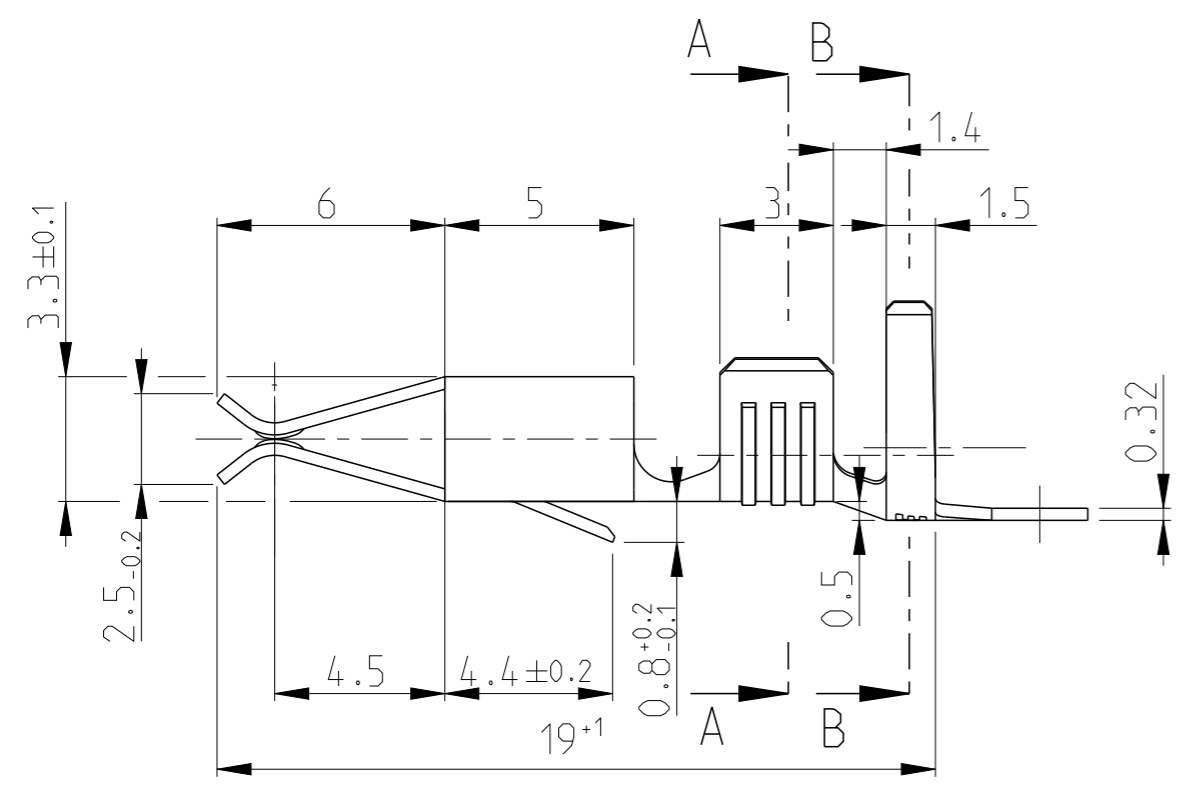


THIS DRAWING IS UNPUBLISHED. RELEASED FOR PUBLICATION 20
 © COPYRIGHT 20 BY - ALL RIGHTS RESERVED.


REVISIONS					
P	LTR	DESCRIPTION	DATE	DWN	APVD
	C1	ECR-14-007191	09JUL2014	SK	JS



Note
 △ OBSOLETE

Leitungsgerschnitt in mm ²										
Cross-section in mm ²										
Single connection	Einzelanschl.	0.5	0.75	1.0	1.5	2.0	2.5	3.0	4.0	6.0
0.5	-	-	X	X	X	-	-	-	-	-
0.75	-	-	X	X	X	-	-	-	-	-
1.0	-	-	X	X	X	-	-	-	-	-
1.5	X	-	X	X	-	-	-	-	-	-
2	-	-	-	-	-	-	-	-	-	-
2.5	X	-	-	-	-	-	-	-	-	-
3.0	-	-	-	-	-	-	-	-	-	-
4.0	-	-	-	-	-	-	-	-	-	-
6.0	-	-	-	-	-	-	-	-	-	-

	PLAIN / blank	Brass	927879-4	A	
△	927880-3	vorverzinkt	CuFe2	927879-3	C
△	927880-2	vorverzinkt	CuSn4	927879-2	C
	927880-1	vorverzinkt	CuZn30	927879-1	C
LOOSE PIECE	FINISH	MATERIAL	PART NO.	REV.	

THIS DRAWING IS A CONTROLLED DOCUMENT.		DWN Hassel,S. 07AUG2003	 TE Connectivity	
DIMENSIONS: mm		CHK Brunner,M. 07AUG2003		
TOLERANCES UNLESS OTHERWISE SPECIFIED:		APVD Bleicher,M. 15AUG2003		
0 PLC ± 1 PLC ±0.5 2 PLC ± 3 PLC ± 4 PLC ±0.0001 ANGLES ±1		PRODUCT SPEC 108-18054		
MATERIAL TBD		FINISH -	APPLICATION SPEC 114-18080	NAME STANDARD TIMER CONTACT Standard-Timer Kontakt
		WEIGHT -	SIZE A3	CAGE CODE -
		Customer Drawing	DRAWING NO. C-927879	RESTRICTED TO -
		SCALE 5:1	SHEET 1 OF 1	REV C1

单击下面可查看定价，库存，交付和生命周期等信息

[>>TE Connectivity\(泰科\)](#)