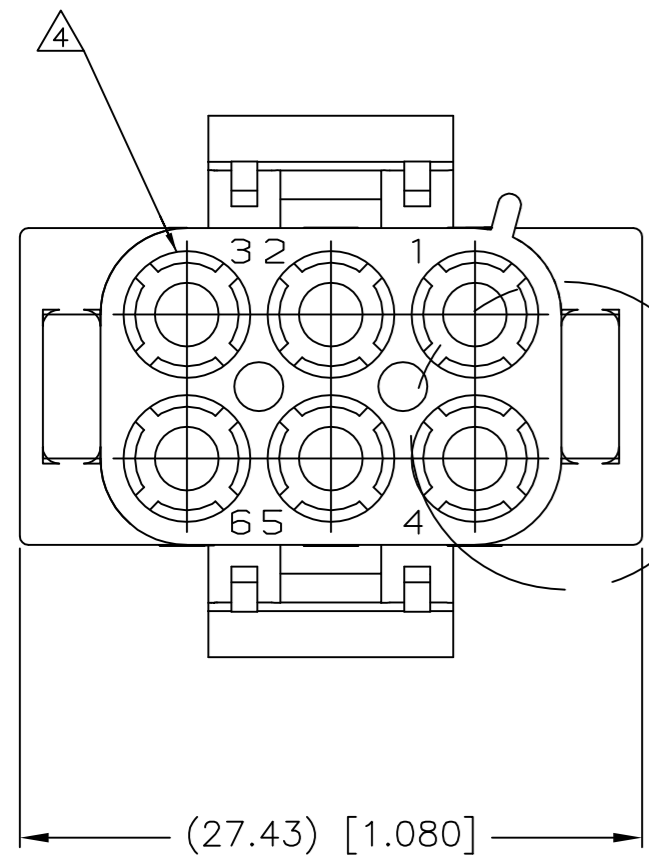
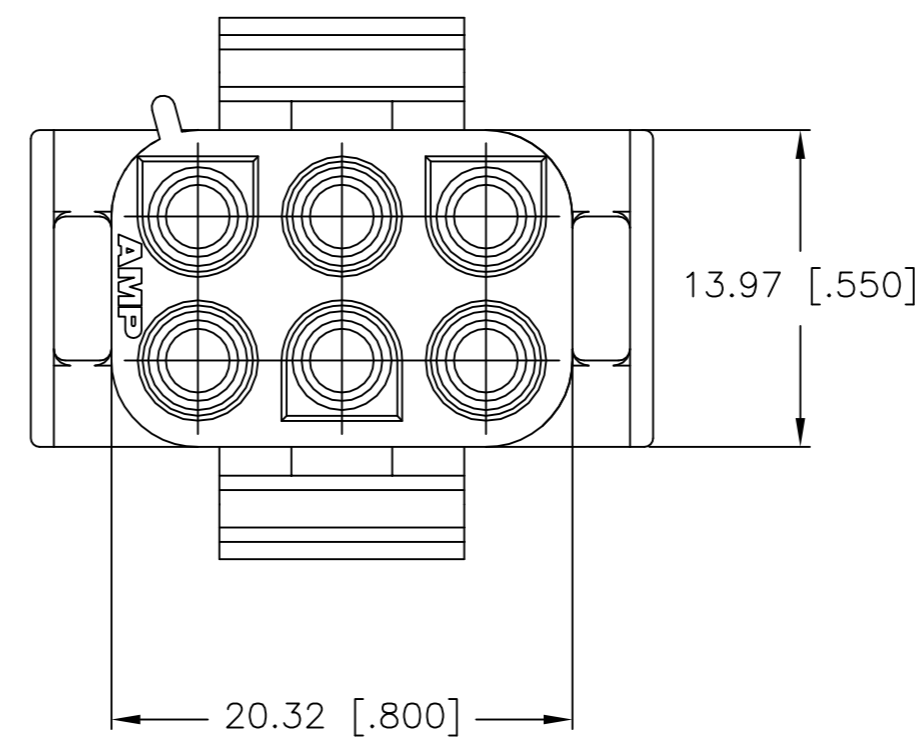
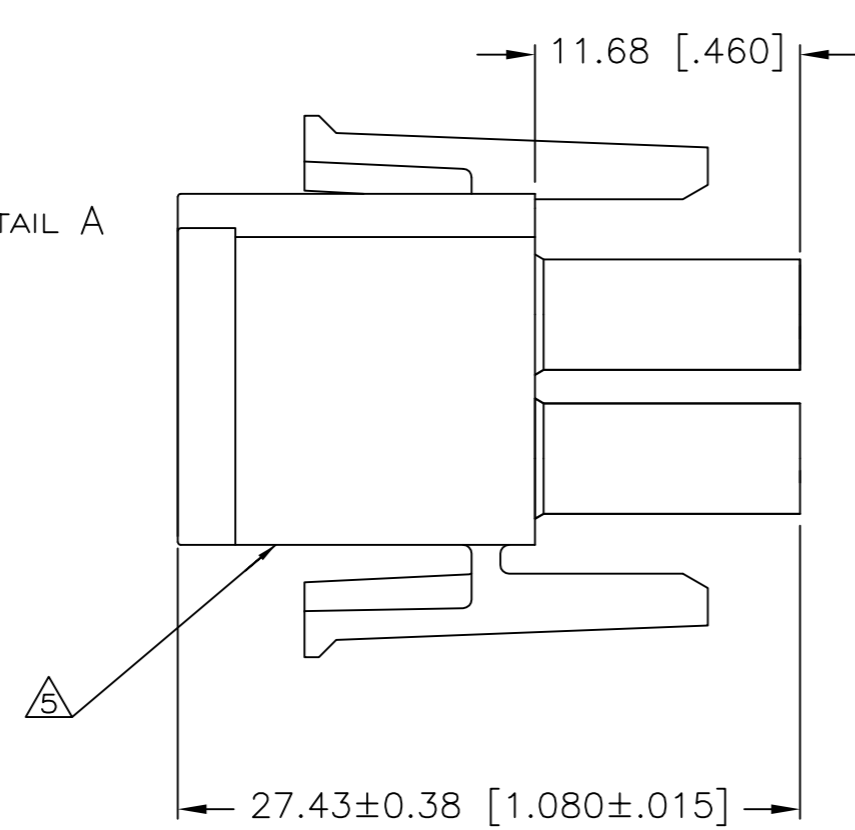


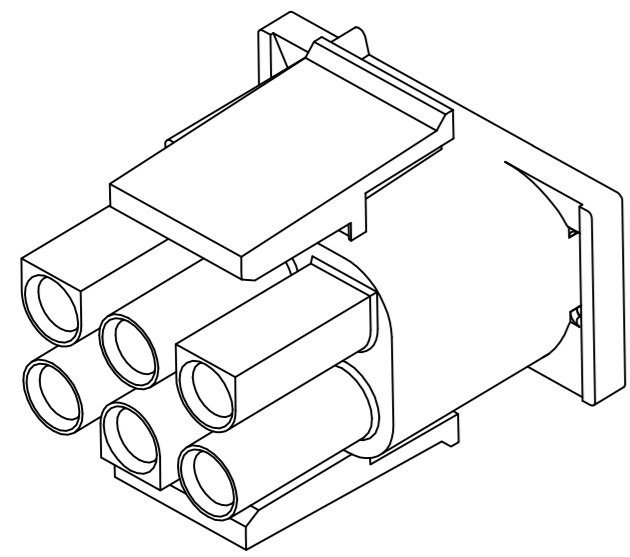
REVISIONS				
P	LTR	DESCRIPTION	DATE	APVD
A		REVISED PER ECR-17-015449	26OCT2017	BDA KR



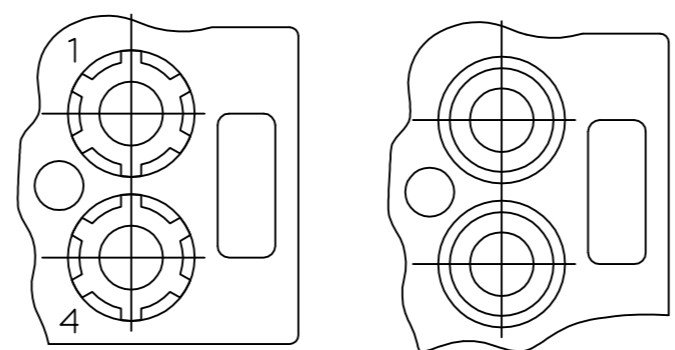
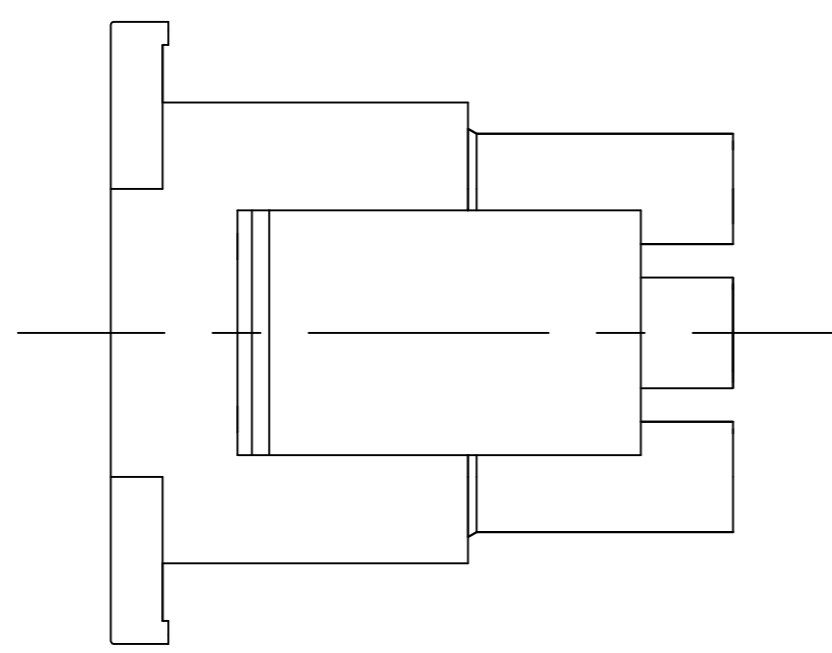
SEE DETAIL A



- MATES WITH APPROPRIATE UNIVERSAL MATE-N-LOK™ CAP OR HEADER.
- SMALL NICKS ARE PERMITTED ON THE CIRCUIT TOWERS WHICH COULD INCREASE THE INITIAL HOUSING MATING FORCE BY UP TO 4.4 NEWTONS [1.0 LBS]. NO INDIVIDUAL NICKED TOWER SHALL INCREASE THIS FORCE BY OVER 2.2 NEWTONS [.5 LBS].
- DIMENSIONS SHOWN REPRESENT PRODUCT IN DRY, AS MOLDED, CONDITION. ADDITIONAL 2% GROWTH DUE TO SUBSEQUENT MOISTURE ABSORPTION MAY OCCUR AND SHOULD BE ACCOUNTED FOR.
- FOUR RIBS EQUALLY SPACED, NO SPECIFIC ORIENTATION. NO RIBS OR SIX RIBS EQUALLY SPACED, NO SPECIFIC ORIENTATION, OPTIONAL.
- UNDERWRITERS RECOGNIZED COMPONENT LOGO AND CSA CERTIFICATION LOGO TO BE LOCATED ONCE EACH ON SIDE OF HOUSING.



3-DIMENSIONAL MODEL
NTS



DETAIL A
OPTIONAL CONSTRUCTIONS

BLACK	1586379-1
COLOR	PART NUMBER

THIS DRAWING IS A CONTROLLED DOCUMENT.		DWN S. HOOVER 05-MAR-2004		TE Connectivity													
DIMENSIONS: mm [INCHES]		CHK S. RIDGILL 05-MAR-2004		NAME													
TOLERANCES UNLESS OTHERWISE SPECIFIED:		APVD S. RIDGILL 05-MAR-2004	PLUG, 6 CIRCUIT, UV RESISTANT, UNIVERSAL MATE-N-LOK™														
<table border="1"> <tr><td>0 PLC</td><td>±</td></tr> <tr><td>1 PLC</td><td>±</td></tr> <tr><td>2 PLC</td><td>± 0.13 [.005]</td></tr> <tr><td>3 PLC</td><td>±</td></tr> <tr><td>4 PLC</td><td>±</td></tr> <tr><td>ANGLES</td><td>±</td></tr> </table>		0 PLC	±	1 PLC	±	2 PLC	± 0.13 [.005]	3 PLC	±	4 PLC	±	ANGLES	±	APPLICATION SPEC	SIZE A2	CAGE CODE 00779	DRAWING NO C=1586379
0 PLC	±																
1 PLC	±																
2 PLC	± 0.13 [.005]																
3 PLC	±																
4 PLC	±																
ANGLES	±																
MATERIAL NYLON, UL 94V-2	FINISH	WEIGHT -	CUSTOMER DRAWING		RESTRICTED TO												
			SCALE 4:1	SHEET 1 OF 1	REV A												

1586379

单击下面可查看定价，库存，交付和生命周期等信息

[>>TE Connectivity\(泰科\)](#)