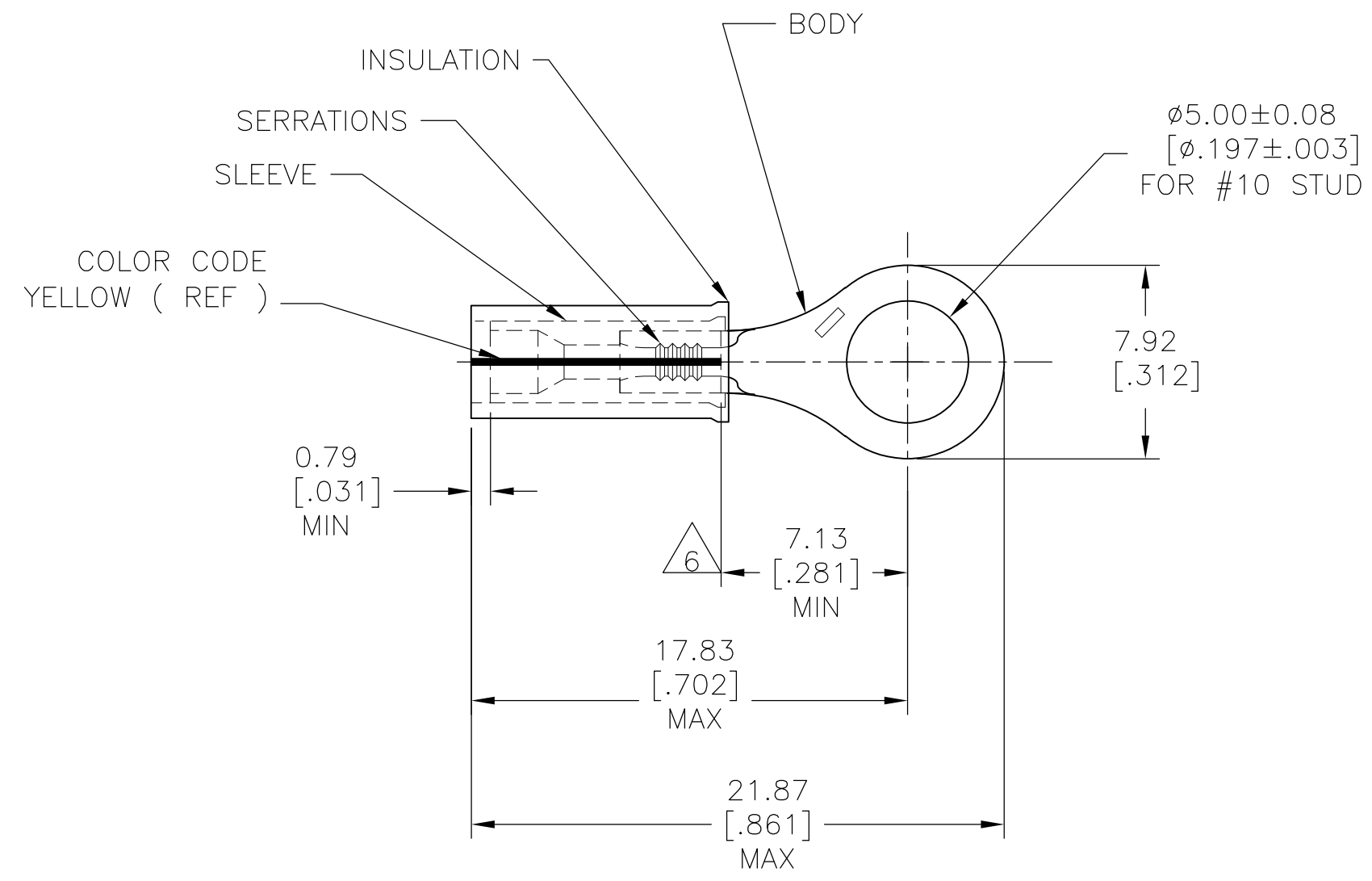


THIS DRAWING IS UNPUBLISHED. RELEASED FOR PUBLICATION
 © COPYRIGHT - By - ALL RIGHTS RESERVED.

LOC	DIST	REVISIONS					
		P	LTR	DESCRIPTION	DATE	DWN	APVD
G	14		G3	REVISED PER ECO-12-007718	07MAY12	KH	DR



- 1 MUST BE CRIMPED WITH A 22-18 OR 22-16 P.I.D.G. (RED) TOOL.
- 2 WIRE INSULATION DIA: 0.81-2.08 [.032-.082].
- 3 TONGUE MATERIAL THK: 0.69±0.05 [.027±.002].
- 4 BODY & SLEEVE: TIN/LEAD (93-7) PLATE PER ASTM B545. (3% MIN LEAD CONTENT).
- 5 MATERIAL: BODY & SLEEVE- CU PER ASTM B152 INSULATION - PVF2, COLOR - NATURAL.
- 6 DIMENSION APPLIES FROM EDGE OF METAL WIRE BARREL TO CENTER OF STUD HOLE.

M7928/4-147, CLASS 1 & 2 M7928/13-147, CLASS 1 & 2	1000	LOOSE PIECE	53404-1
MILITARY	QTY	PACKAGE TYPE	PART NO.

AMP INCORPORATED CUSTOMER SERVICE SYSTEMS		MAX RECOMMENDED OPERATING TEMPERATURE: 150°C[302°F] MAX
FOR ADDITIONAL PRODUCT INFORMATION OR COPIES OF DRAWINGS AND TECHNICAL DOCUMENTS	PRODUCT INFORMATION CENTER 1-800-522-6752	VOLTAGE RATING: N/A
FOR APPLICATION TOOLING INFORMATION	TOOLING ASSISTANCE CENTER 1-800-722-1111	CIRCULAR MIL AREA: 0.10-0.26mm²[202-509] STRANDED
FOR ORDER ENTRY	1-800-526-5142	THIS DRAWING IS A CONTROLLED DOCUMENT FOR AMP INCORPORATED. IT IS SUBJECT TO CHANGE AND THE CONTROLLING ENGINEERING ORGANIZATION SHOULD BE CONTACTED FOR THE LATEST REVISION.

THIS DRAWING IS A CONTROLLED DOCUMENT.	
DIMENSIONS: mm [INCHES]	TOLERANCES UNLESS OTHERWISE SPECIFIED:
	0 PLC ± -
	1 PLC ± -
	2 PLC ± 0.20[.008]
	3 PLC ± -
	4 PLC ± -
	ANGLES ± -
MATERIAL	FINISH
- 4	- 5

DWN JR RUTH 27MAY05	STE TE Connectivity	
CHK T MICHELUTTI 23MAY05		
APVD T MICHELUTTI 23MAY05	NAME TERMINAL, RING TONGUE, PVF2, PIDG WIRE SIZE: 26-24 AWG	
PRODUCT SPEC -	SIZE A3	CAGE CODE 00779
APPLICATION SPEC NOT AVAILABLE	DRAWING NO C-53404	RESTRICTED TO -
WEIGHT -	SCALE 4:1	
CUSTOMER DRAWING	SHEET 1 OF 1	REV G3

单击下面可查看定价，库存，交付和生命周期等信息

[>>TE Connectivity\(泰科\)](#)