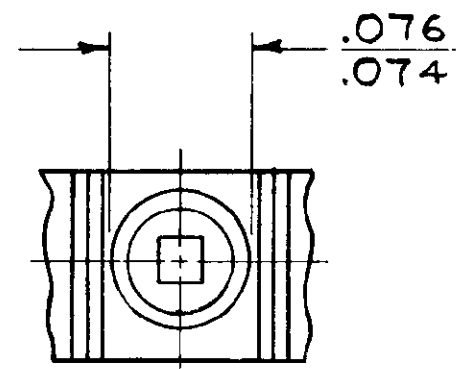
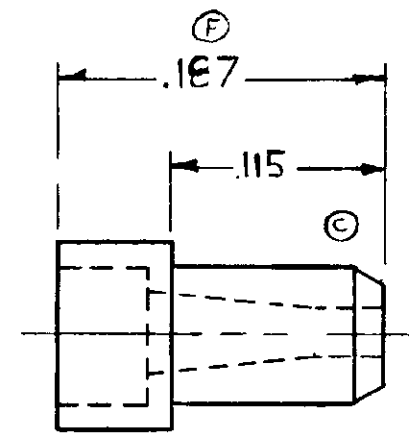
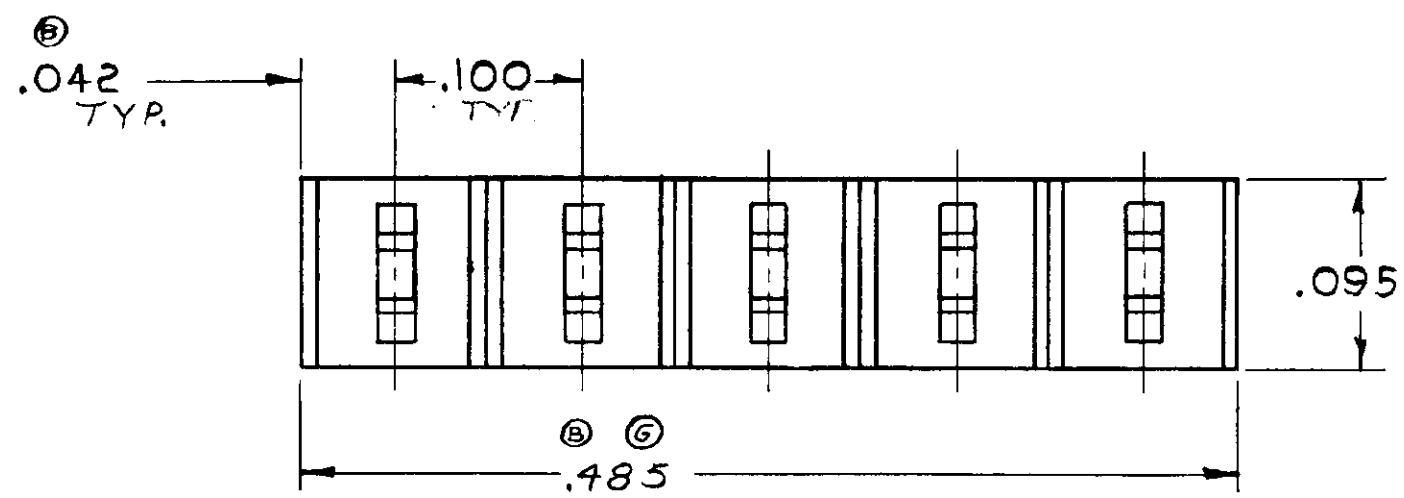
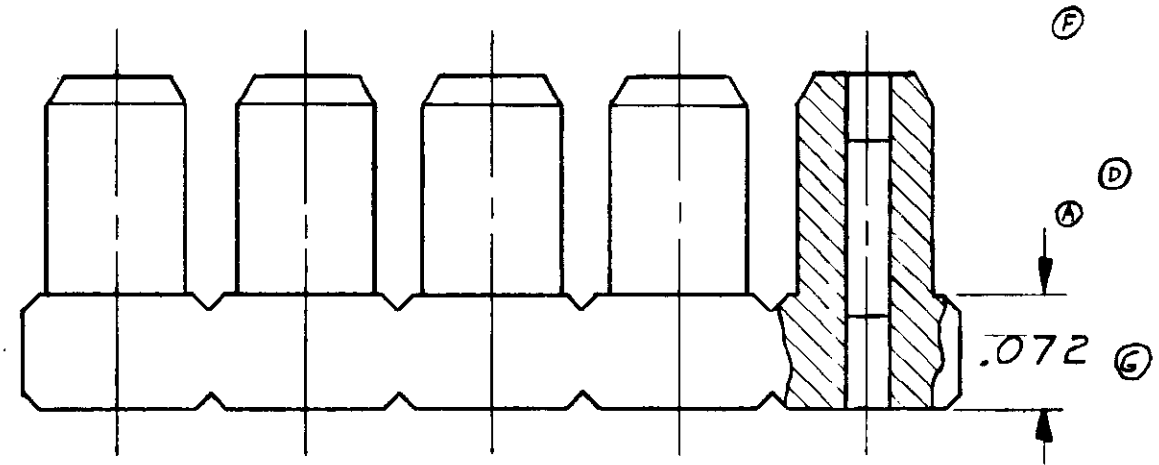


NUMBER 85920

© 1965 BY AMP INCORPORATED. ALL RIGHTS RESERVED. AMP PRODUCTS COVERED BY PATENTS AND/OR PATENTS PENDING. APPROVED PER GOVT CONTRACT NO.

REVISIONS				
SYM	ZONE	DESCRIPTION	DATE	APPROVAL
O		RELEASED WAS NIS168-71	8-29-65	L.B. J.W.
A		REVISED	W-195	4-30-65 m.S. RM
B		REVISED	W-351	6-4-65 m.S. J.M.
C		ADD CHAMFER	W-982	2-4-66 m.S.
D		REVISED	Y-354	4-7-66 m.S. RM
E		REVISED - ADD -2 & -3	Y-745	9-7-66 m.S. RM
F		REVISED	1161	1-10-67 m.S. D.H.
G	✓	REVISED	2008	2-11-69 m.S. D.H.
H	✓	OF 2 PER ECN 0690-93	7-93	PAC



PART NO.	COLOR
85920-1	NATURAL
85920-2	RED
85920-3	BLACK

OBSOLETE

UNLESS OTHERWISE SPECIFIED DIMENSIONS ARE IN INCHES TOLERANCES ON

FRACTIONS ± #	DECIMALS ± #	ANGLES ± #
------------------	-----------------	---------------

MATERIAL
ZYTEL 101 OR EQUIV.

HEAT TREAT
— # —

AMP INFO AD H 14	QTY REQD	NOMENCLATURE OR DESCRIPTION	PART OR IDENTIFYING NO.	MATERIAL AND PLATING
LIST OF MATERIALS OR PARTS LIST				
SIGNATURE OR C. Osterman		DATE 1/7/65		 AMP INCORPORATED HARRISBURG, PENNSYLVANIA BUSHING - INSULATOR AMP MODU MINIATURE .100 SPACING.
CHK R. L. Miller		DATE 3/21/65		
DSGN ENGR C. Snyder		DATE 3/31/65		
APPD B. Smith		DATE 3/31/65		
DSGN APPD		CODE IDENT NO 00779	SIZE B	NUMBER 85920
OTHER APPD		SCALE 10-1	WT	CALC
		ACTUAL	SHEET	

单击下面可查看定价，库存，交付和生命周期等信息

[>>TE Connectivity\(泰科\)](#)