

P	LTR	DESCRIPTION	DATE	DWN	APVD
BA1	ECR-13-013012		16AUG2013	KR	TN

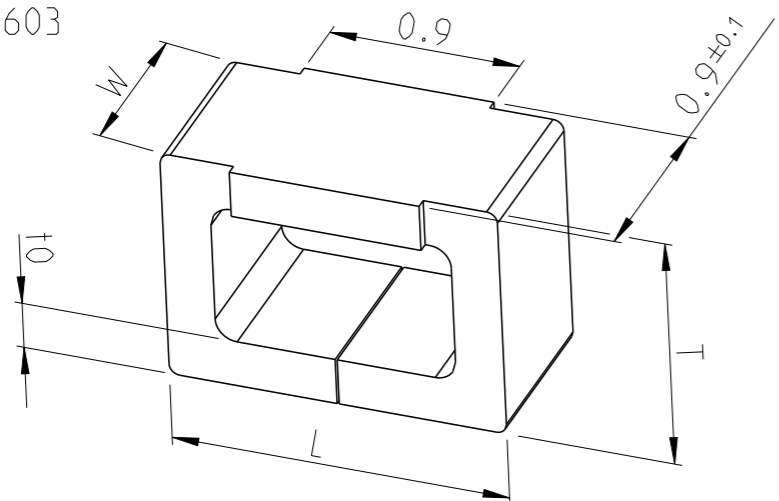
SCHEDULE

SL NO	TE PART NO	DESCRIPTION	DIMENSIONS				
			L	W	T	t0	t1
1	1625854-1	RCS 1206 PROBE PAD	3.2 ±0.25	1.6 ±0.2	1.25 +0.2/-0.15	0.23 ±0.1	-
2	1625854-2	RCT 0805 PROBE PAD	2.0 +0.25/-0.1	1.25 +0.2/-0.15	1.45 +0.15/-0.2	0.23 ±0.1	0.45 +0.1/-0
3	1625854-3	RCU 0603 PROBE PAD	1.6 +0.15/-0.1	0.8 ±0.1	1.15 ±0.15	0.23 ±0.1	
4	1625854-4	RCW 1206 PROBE PAD	3.2 ±0.15	1.6 +0.2/-0.1	2.0 ±0.2	0.23 ±0.1	0.45 +0.1/-0

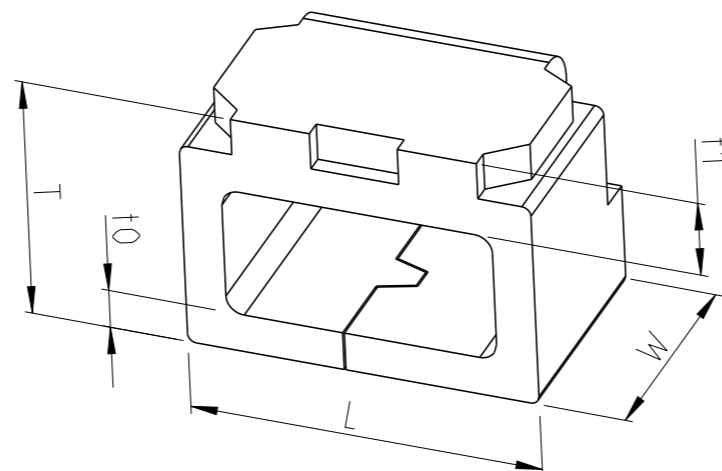
NOTES:

1. RESISTANCE: < 50 MILLI OHMS
2. OPERATING TEMPERATURE: -55°C TO +125°C
3. CURRENT: 2 AMPS
4. THE GAP IN THE BOTTOM SURFACE SHALL BE WITHIN 0.1MM
5. THE DIFFERENCE IN BOTTOM LEVEL SHALL BE WITHIN 0.2MM
6. REFER DATASHEET FOR ADDITIONAL DETAILS
7. RCS 1206 CAN BE PACKAGED UPSIDE DOWN FOR TAPING.

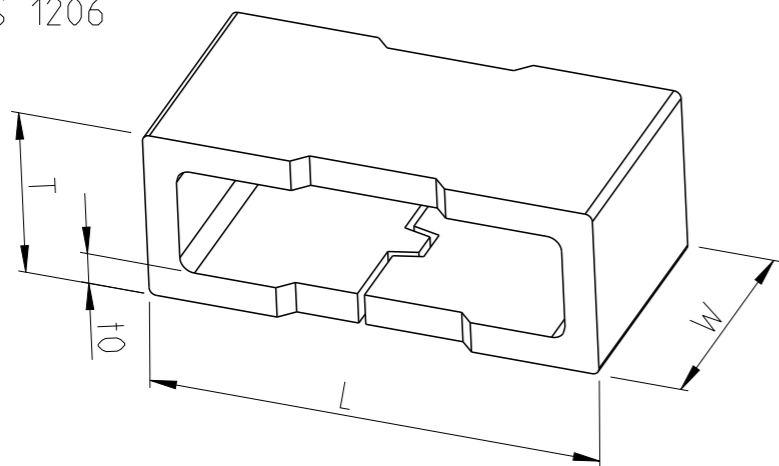
RCU 0603



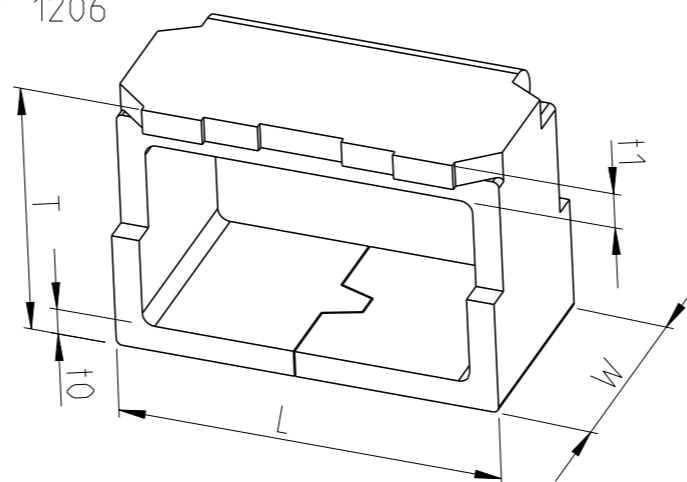
RCT 0805



RCS 1206



RCW 1206



RoHS Compliant

THIS DRAWING IS A CONTROLLED DOCUMENT.

DIMENSIONS: mm	TOLERANCES UNLESS OTHERWISE SPECIFIED:
	0 PLC ±
	1 PLC ±
	2 PLC ±
	3 PLC ±
	4 PLC ±
	ANGLES ±1°
MATERIAL -	FINISH -

DWN PRASAD K	30 JUN 2011
CHK ALLAN PILE	30 JUN 2011
APVD JON CATCHPOLE	30 JUN 2011
PRODUCT SPEC	
APPLICATION SPEC	
WEIGHT	
Customer Drawing	



RC SERIES PROBE PADS

SIZE A3	CAGE CODE 00779	DRAWING NO C-1625854	RESTRICTED TO
SCALE NTS		SHEET 1 OF 1	REV BA1

单击下面可查看定价，库存，交付和生命周期等信息

[>>TE Connectivity\(泰科\)](#)