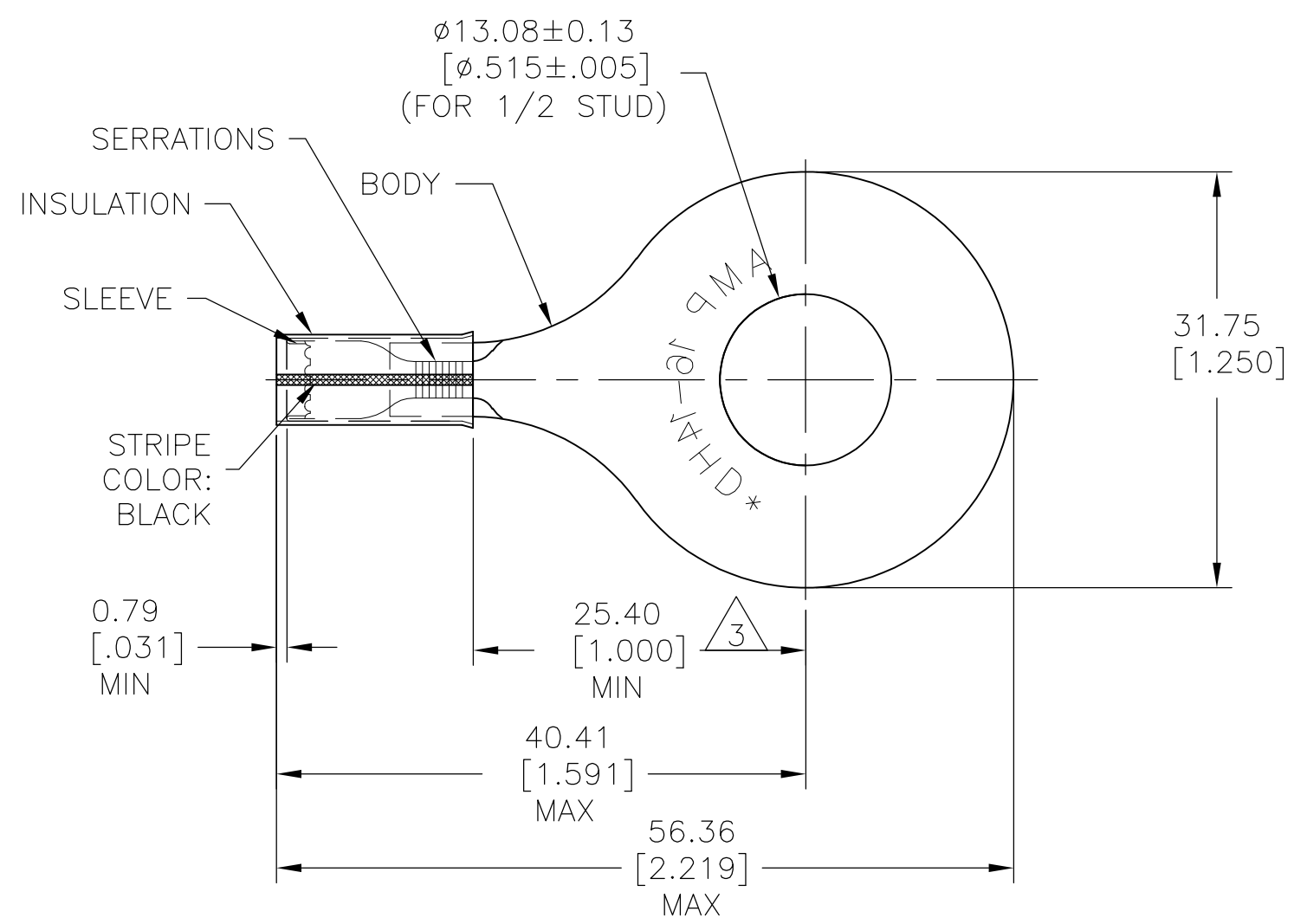


THIS DRAWING IS UNPUBLISHED. RELEASED FOR PUBLICATION
 © COPYRIGHT - By - ALL RIGHTS RESERVED.

LOC	DIST	REVISIONS					
		P	LTR	DESCRIPTION	DATE	DWN	APVD
G	14		D	REVISED PER ECO-14-015277	26FEB2015	NK	DR



- 1 FOR 3.81[.150] TO 6.35[.250] WIRE INSULATION DIA
- 2 TONGUE MATERIAL THK 1.22±0.05[.048±.002]
- △ 3 APPLIES FROM EDGE OF METAL BARREL TO CENTERLINE OF STUD HOLE.

QTY	DESCRIPTION	MATERIAL & FINISH	PART NO
1	WIRE TERMINAL	BODY: COPPER ASTM-B152 TIN PL ASTM-B545 SLEEVE: COPPER ASTM-B152 INSULATION: YELLOW NYLON	36203

THIS DRAWING IS A CONTROLLED DOCUMENT.		DWN RAGHAVEDRA 12JUN09	STE TE Connectivity	
DIMENSIONS: mm [INCHES]		CHK JEFF RUTH 12JUN09		
TOLERANCES UNLESS OTHERWISE SPECIFIED:		APVD TOM MICHIELUTTI 12JUN09	NAME WIRE TERMINAL PIDG - RING TONGUE	
0 PLC ± -		PRODUCT SPEC -	WIRE SIZE: 16-14 HD	
1 PLC ± -		APPLICATION SPEC -	SIZE A3	CAGE CODE 00779
2 PLC ± -		WEIGHT -	DRAWING NO C-36203	RESTRICTED TO -
3 PLC ± 0.20[.008]			SCALE 2:1	
4 PLC ± -			SHEET 1 OF 1	
ANGLES ± .5°			REV D	
MATERIAL -			CUSTOMER DRAWING	
FINISH -				

单击下面可查看定价，库存，交付和生命周期等信息

[>>TE Connectivity\(泰科\)](#)