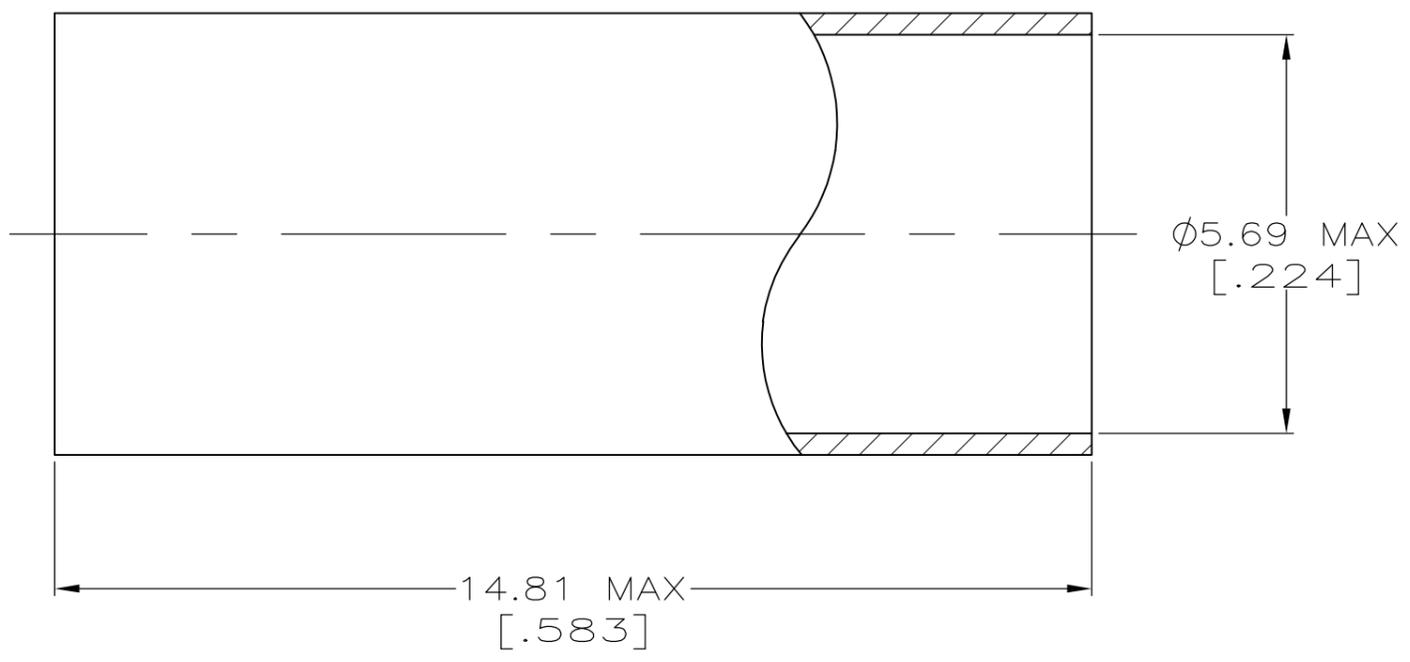


THIS DRAWING IS UNPUBLISHED. RELEASED FOR PUBLICATION
 © COPYRIGHT - By - ALL RIGHTS RESERVED.

LOC	DIST	REVISIONS			
P	LTR	DESCRIPTION	DATE	DWN	APVD
	V	ECO-14-003590	21FEB14	AM	MY



- 1. COPPER ALLOY
- △2 SILVER PLATE PER QQ-S-365, 5.08μm (.000200) MIN THICKNESS (NON-ROHS).
- △3 TIN-LEAD PLATE PER ASTM-B-545, 2.54μm (.000100) MIN THICKNESS, WITH SUPPLEMENTAL ANTI FRETTING LUBRICANT.
- △4 GOLD PLATE PER MIL-G-45204, 0.76μm (.000030) MIN THICKNESS.
- △5 MATTE TIN PLATE PER MIL-T-10727, 2.54μm (.000100) MIN THICKNESS, WITH SUPPLEMENTAL ANTI FRETTING LUBRICANT.
- △6 SILVER PLATE 5.08μm (.000200) MIN THICKNESS, (ROHS).

△6	9-225382-1
△5	9-225382-0
△4	225382-5
△3	225382-3
△2	225382-2
FINISH	PART NUMBER

THIS DRAWING IS A CONTROLLED DOCUMENT.		DWN 14NOV95 MICHAEL E. COWHER	STE TE Connectivity			
DIMENSIONS: mm [INCHES]		CHK 14NOV95 FRANK MORANA				
TOLERANCES UNLESS OTHERWISE SPECIFIED:		APVD 14NOV95 FRANK MORANA	NAME FERRULE			
		PRODUCT SPEC -	RESTRICTED TO -			
MATERIAL SEE NOTES		FINISH SEE NOTES	APPLICATION SPEC -	SIZE A3	CAGE CODE 00779	DRAWING NO C-225382
CUSTOMER DRAWING			WEIGHT -	SCALE 10:1	SHEET 1 OF 1	REV V

单击下面可查看定价，库存，交付和生命周期等信息

[>>TE Connectivity\(泰科\)](#)