

NUMBER C-166276-166277

LONG PIN ASS'Y
166276-1

CONSISTS OF:

- 1 PIN, KEYING 1.122 (28,5)
- 1 LOCK WASHER .032 (0,8)
- 1 NUT .728 (18,5)

1 FLAT WASHER

COMPONENTS ARE PACKAGED UNASSEMBLED

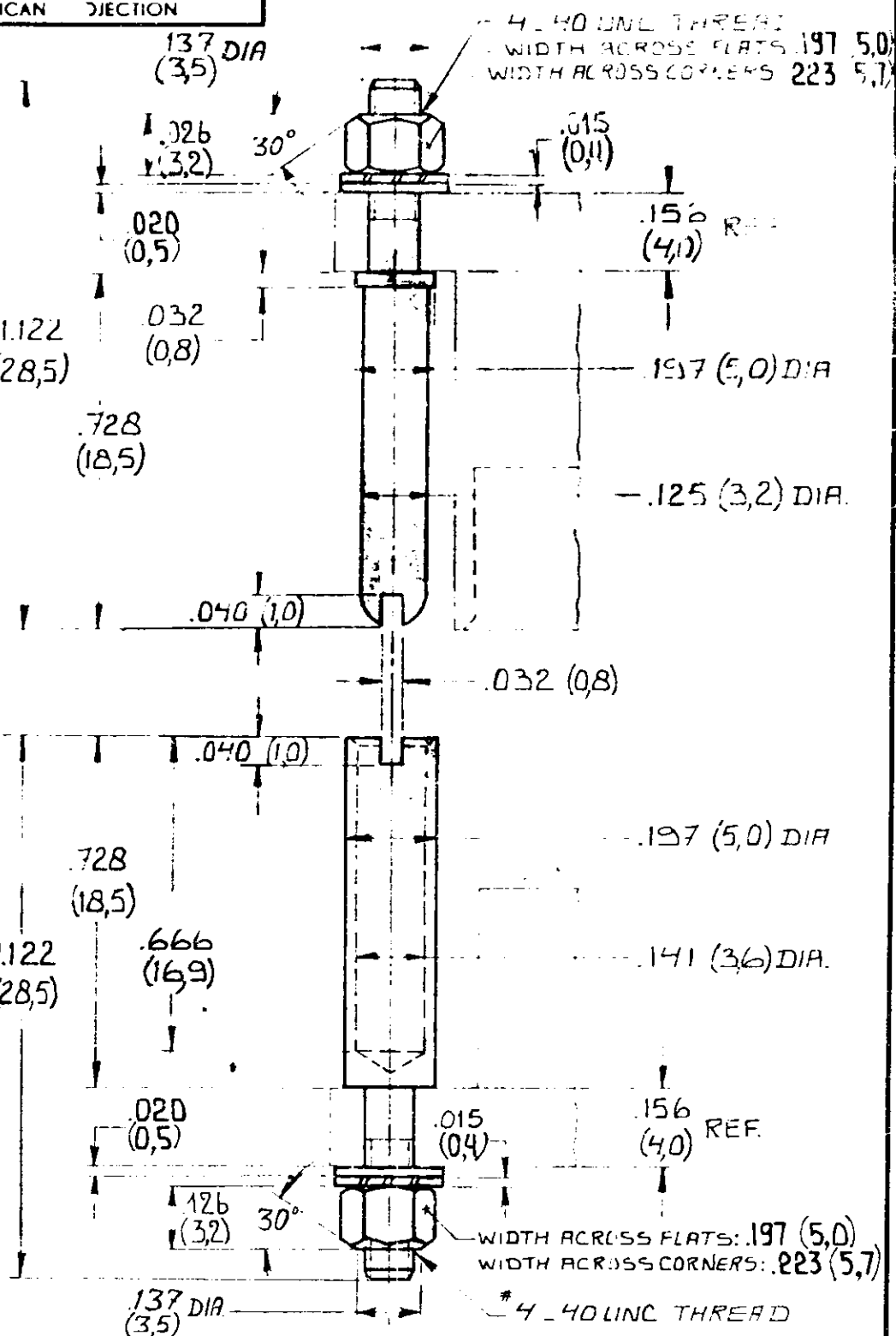
LONG SOCKET ASS.
166277-1

CONSISTS OF:

- 1 SOCKET, LONG .728 (18,5)
- 1 LOCK WASHER 1.122 (28,5)
- 1 NUT .666 (16,9)

1 FLAT WASHER

COMPONENTS ARE PACKAGED UNASSEMBLED.



CUSTOMER COPY FOR REFERENCE ONLY

©1979 BY AMP-HOLLAND N.V. ALL RIGHTS RESERVED A-MP PRODUCTS COVERED BY PATENTS AND/OR PATENTS PENDING.



AMP-HOLLAND N.V.
's-Hertogenbosch

166277-1	STAINL STEEL	PASSIVATED
166276-1	STAINL STEEL	PASSIVATED

WIRE RANGE	INSUL RANGE	FIRST USED
—	—	164706/164720

ORDER NO.	MATERIAL	PLATING
DR	DATE	DE

SCALE	SIZE	NO	REV
3:1	A	C-166276-166277	B

CHK	DATE	APP	D
	8-5-79		8.5.79

NAME LONG PIN/LONG SOCKET KEYING
"H.D.R."-SERIES

DIMENSIONS IN (MM) DO NOT SCALE PRINT

单击下面可查看定价，库存，交付和生命周期等信息

[>>TE Connectivity\(泰科\)](#)