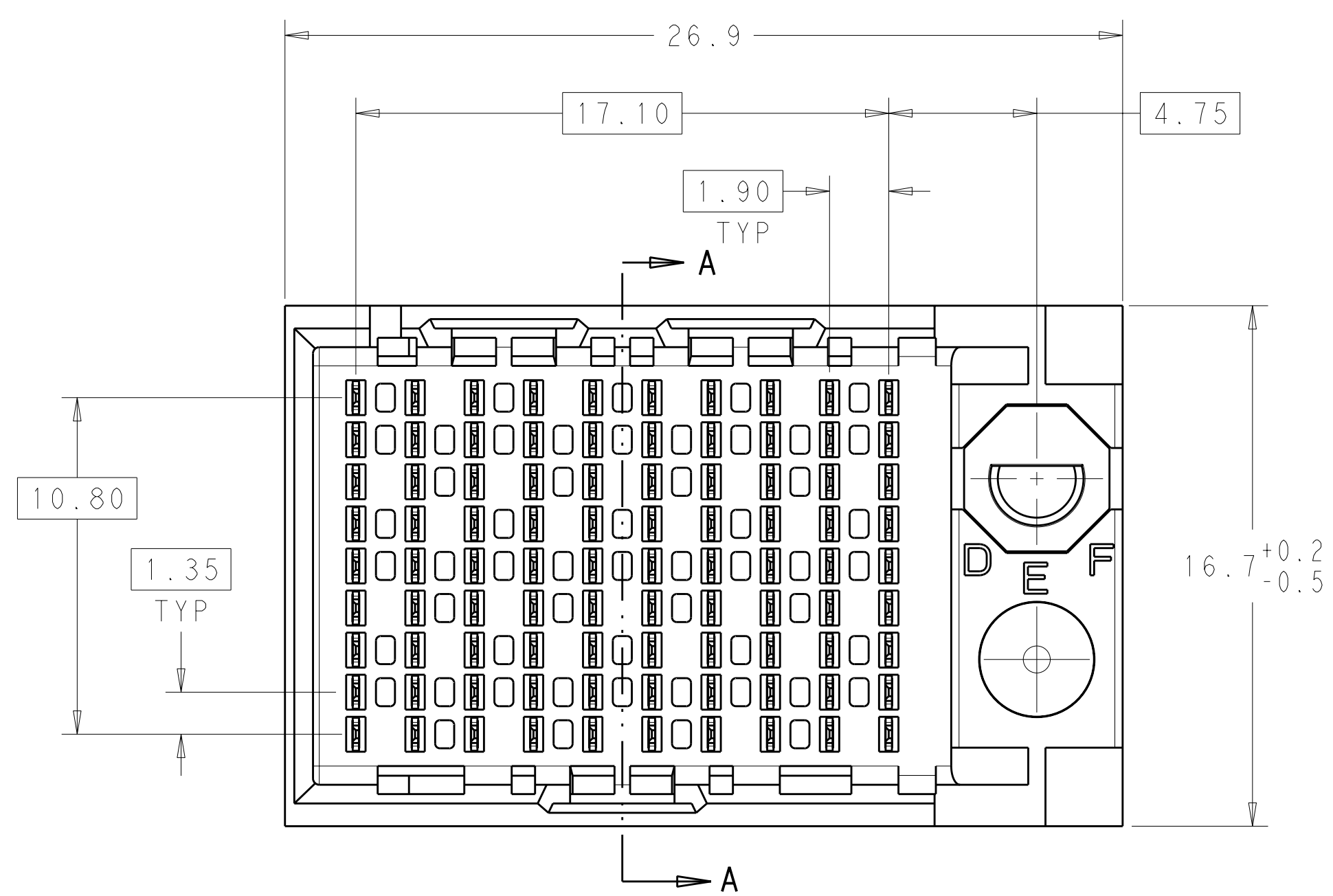
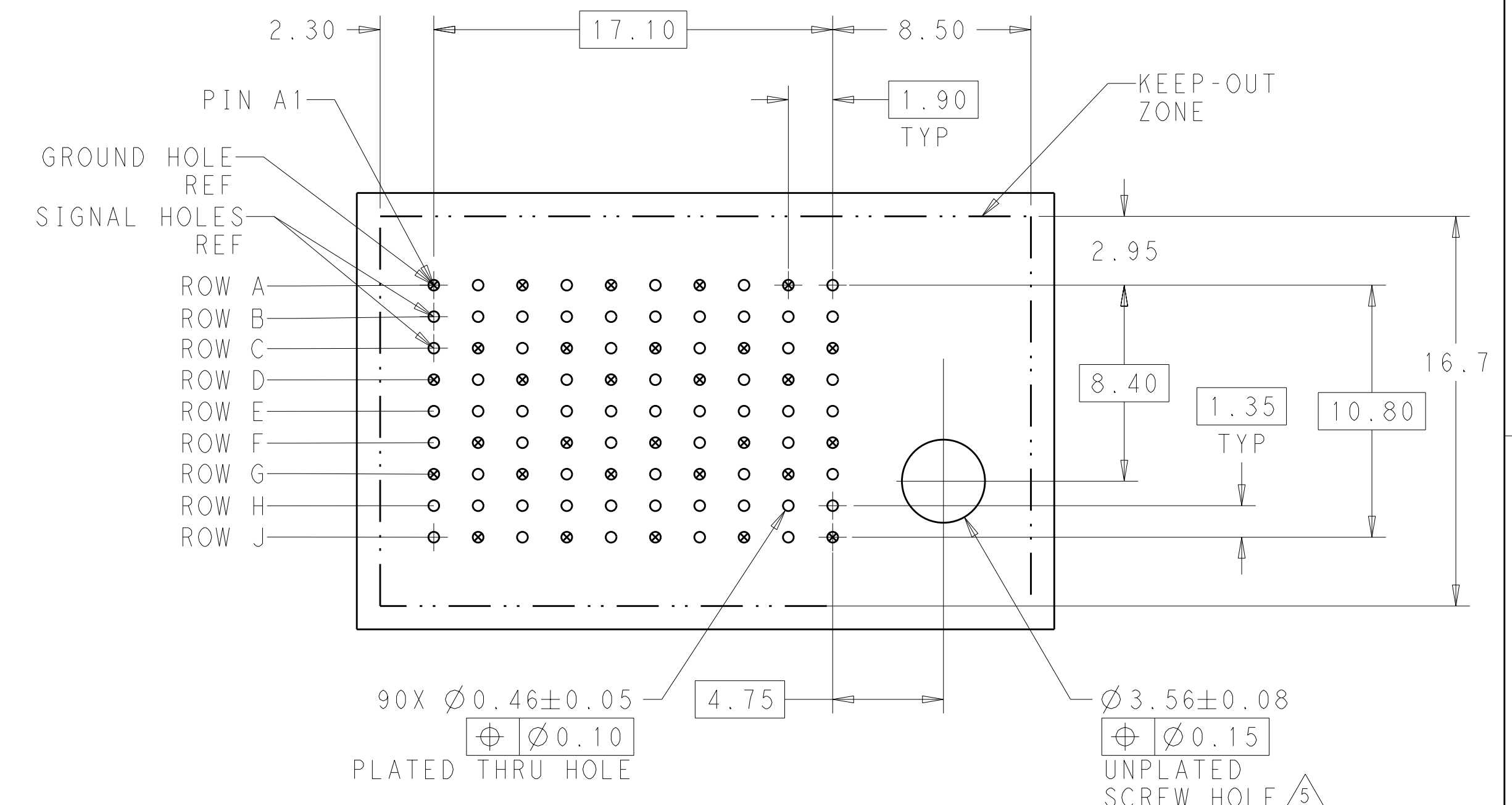
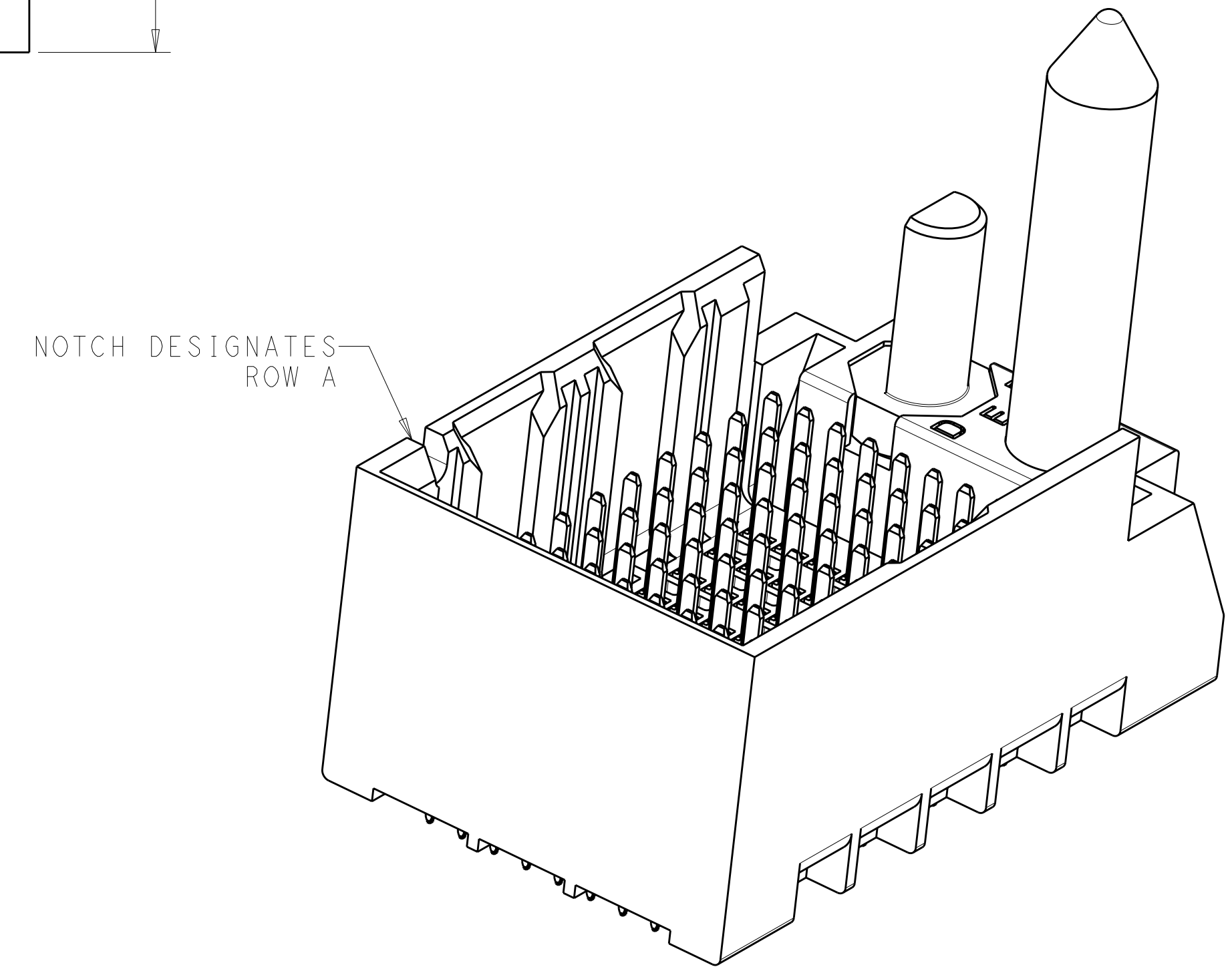


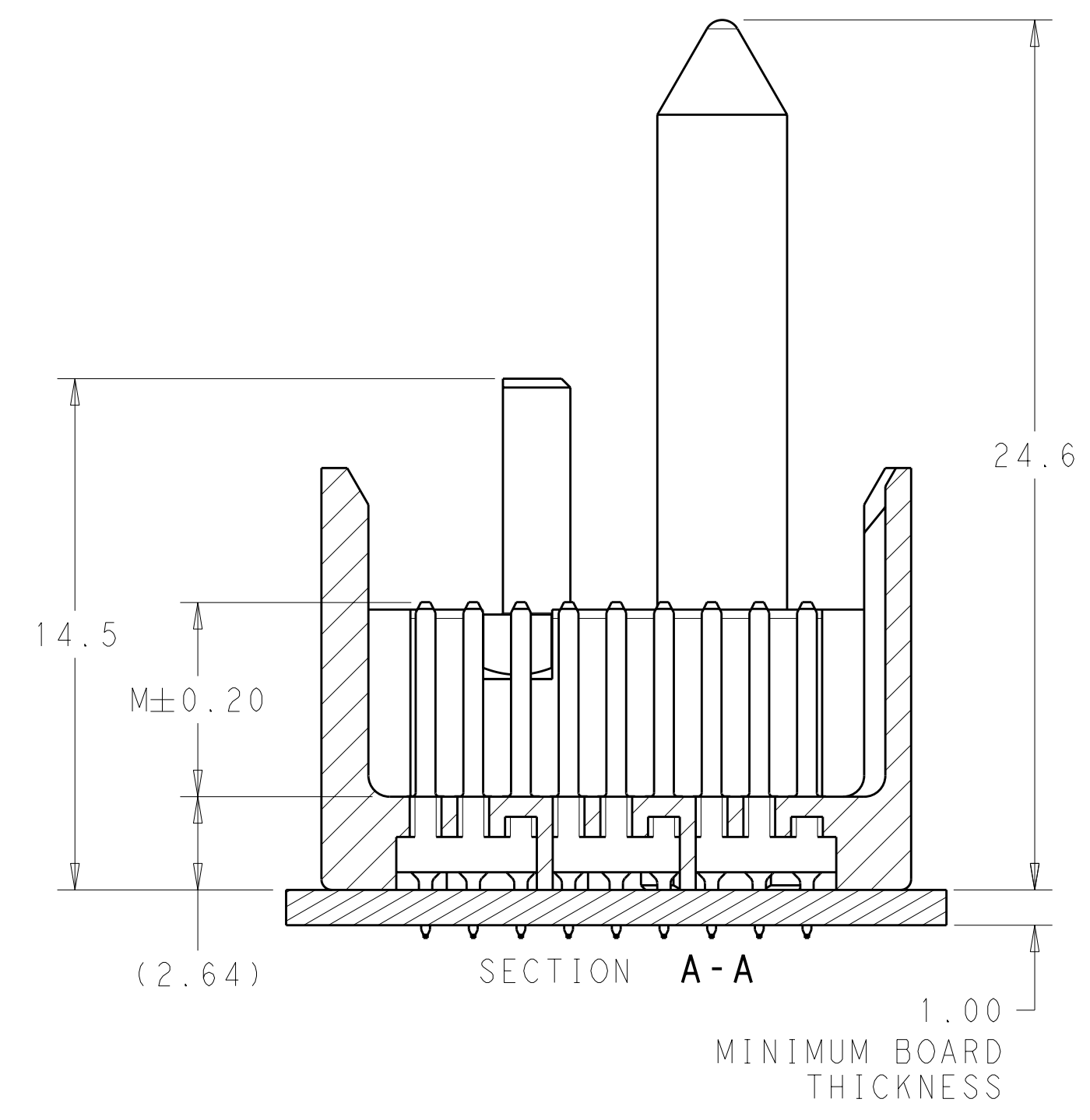
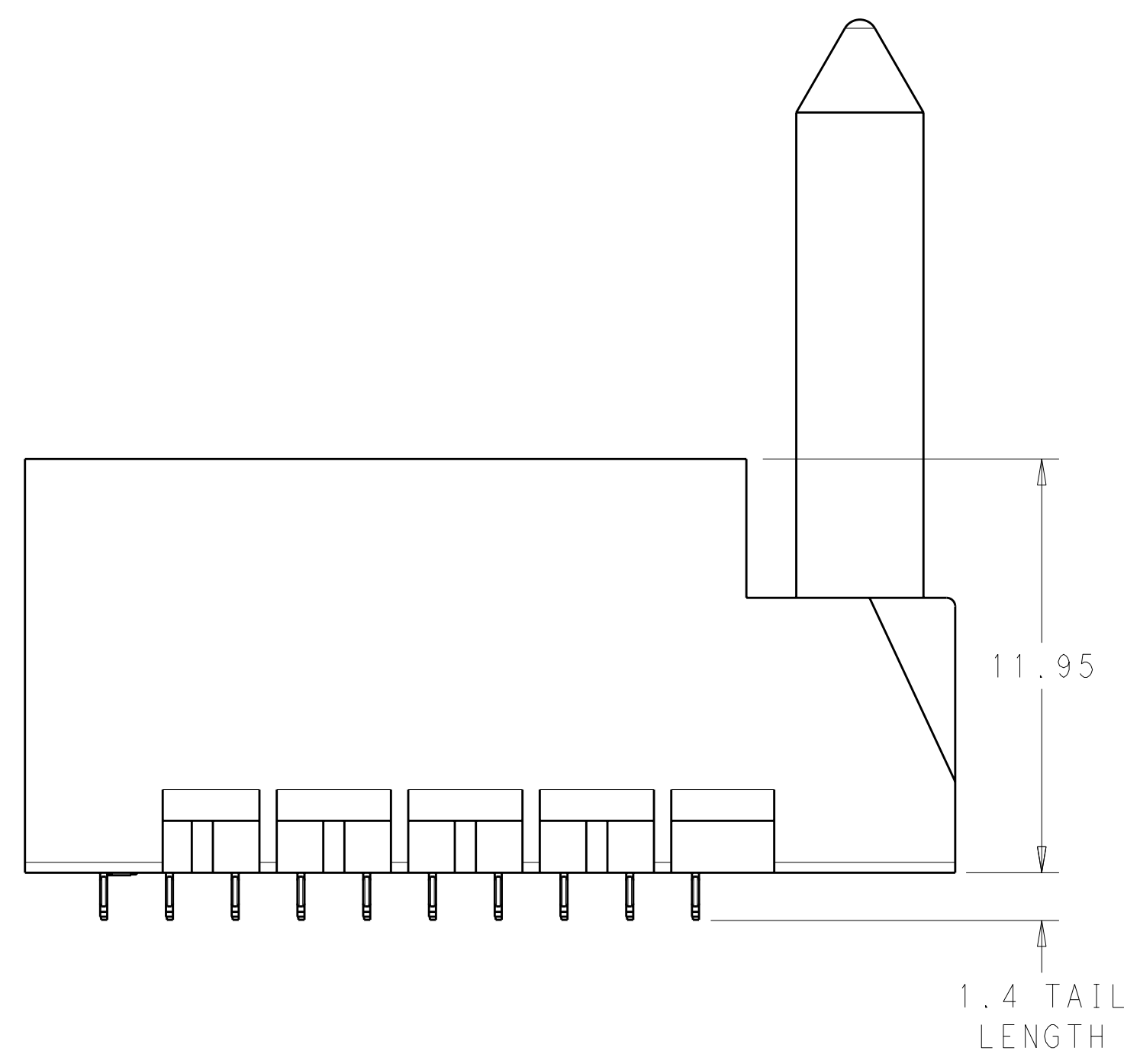
| LOC | DIST | REV | DATE    | BY | APPD |
|-----|------|-----|---------|----|------|
| AD  | 00   | C   | 22DEC11 | KH | DY   |



- 1 MATERIAL:  
HOUSING: LCP, GLASS FILLED, UL94V-0.  
TERMINALS: HIGH PERFORMANCE COPPER ALLOY.
- 2 FINISH:  
30μ" MIN GOLD IN CONTACT AREA. SELECTIVE TIN  
ON PCB TAILS, NICKEL OVERALL.
- 3 FINISH:  
30μ" MIN GOLD IN CONTACT AREA. SELECTIVE TIN-LEAD  
ON PCB TAILS, NICKEL OVERALL.
- 4. SCREWS PACKAGED IN END OF PACKAGING TUBE.
- 5 FOR GROUNDED GUIDE PIN USE Ø3.56±0.08 PTH,  
Ø3.66 DRILL, AND Ø6.5 PAD.
- 6. KEYING PIN SHOWN IN POSITION A, SEE KEYING CHART  
ON SHEET 2 FOR OTHER POSITIONS.



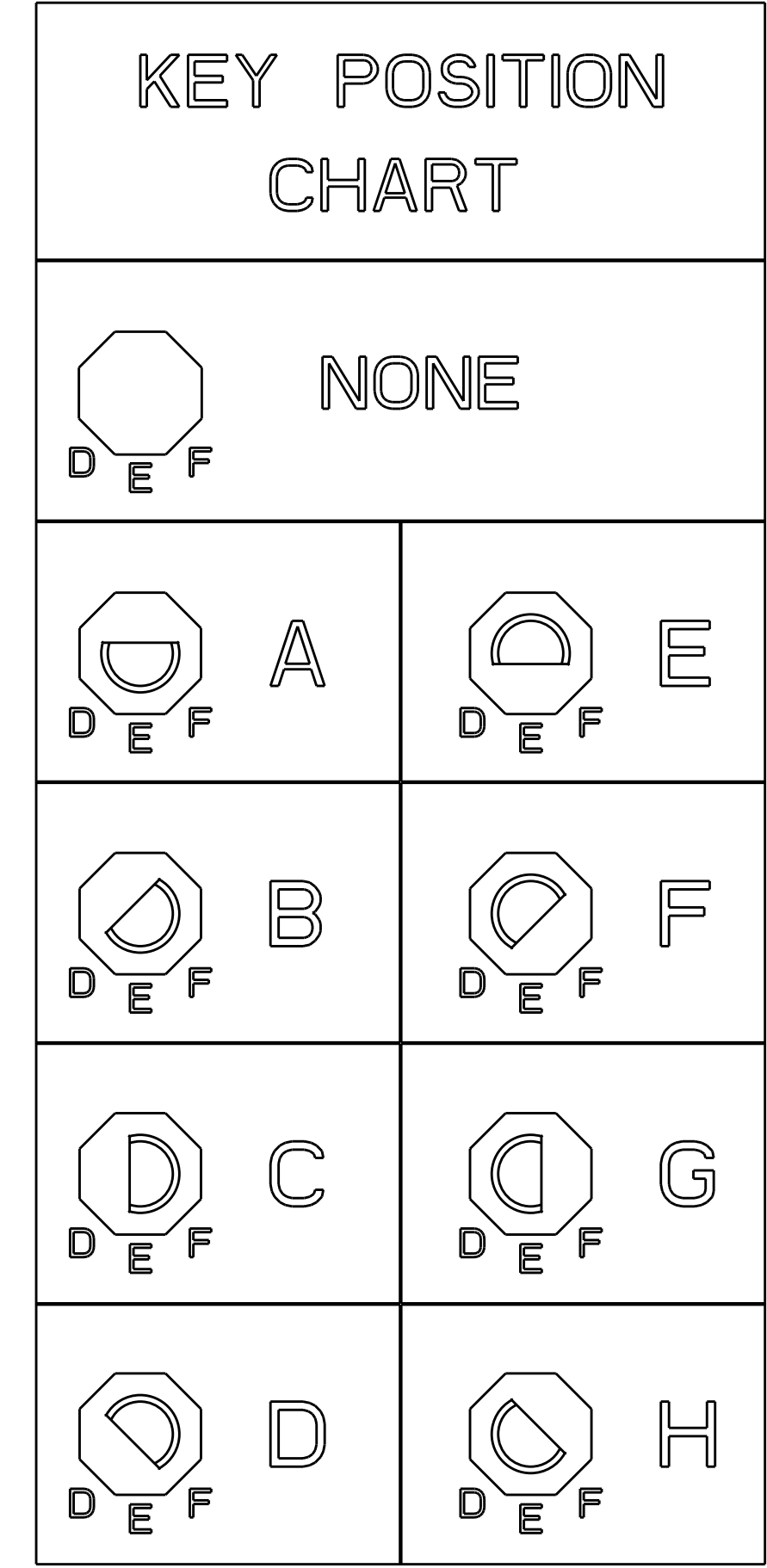
RIGHT GUIDED  
BACKPLANE HOLE PATTERN  
(CONNECTOR SIDE)



|  |             |                          |   |
|--|-------------|--------------------------|---|
| THIS DRAWING IS A CONTROLLED DOCUMENT. |             | DWN J. K. SHOBER 22DEC11 | TE Connectivity                         |
| DIMENSIONS: mm                         |             | CHK J. EARY 22DEC11      |   |
| TOLERANCES UNLESS OTHERWISE SPECIFIED: |             | APVD J. EARY 22DEC11     | NAME IMPACT, 3 PAIR, 10 COLUMN, HEADER  |
| Ø                                      | 9 PLC ±0.25 | PRODUCT SPEC             | RIGHT GUIDED, LEFT END WALL             |
| ∅                                      | 3 PLC ±0.13 | APPLICATION SPEC         | SIGNAL MODULE, 0.46 PTH                 |
| ∠                                      | 4 PLC ±0.13 | WEIGHT                   | SIZE CAGE CODE DRAWING NO RESTRICTED TO |
| FINISH                                 | SEE TABLE   | CUSTOMER DRAWING         | A100779C=2007782                        |
| MATERIAL                               |             | SCALE 6:1                | SHEET 1 OF 2                            |
| REVISIONS                              |             | REV C                    |   |

| LOC |    | DIST |     | REVISIONS   |      |     |      |
|-----|----|------|-----|-------------|------|-----|------|
| AD  | 00 | P    | LTB | DESCRIPTION | DATE | DWN | APVD |
|     |    | -    | -   | SEE SHEET 1 | -    | -   | -    |
|     |    |      |     |             |      |     |      |
|     |    |      |     |             |      |     |      |

|        |              |       |             |
|--------|--------------|-------|-------------|
| 3      | H            | 5.5   | 8-2007782-6 |
| 3      | H            | 4.9   | 8-2007782-5 |
| 3      | H            | 4.5   | 8-2007782-4 |
| 2      | H            | 5.5   | 8-2007782-3 |
| 2      | H            | 4.9   | 8-2007782-2 |
| 2      | H            | 4.5   | 8-2007782-1 |
| 3      | G            | 5.5   | 7-2007782-6 |
| 3      | G            | 4.9   | 7-2007782-5 |
| 3      | G            | 4.5   | 7-2007782-4 |
| 2      | G            | 5.5   | 7-2007782-3 |
| 2      | G            | 4.9   | 7-2007782-2 |
| 2      | G            | 4.5   | 7-2007782-1 |
| 3      | F            | 5.5   | 6-2007782-6 |
| 3      | F            | 4.9   | 6-2007782-5 |
| 3      | F            | 4.5   | 6-2007782-4 |
| 2      | F            | 5.5   | 6-2007782-3 |
| 2      | F            | 4.9   | 6-2007782-2 |
| 2      | F            | 4.5   | 6-2007782-1 |
| 3      | E            | 5.5   | 5-2007782-6 |
| 3      | E            | 4.9   | 5-2007782-5 |
| 3      | E            | 4.5   | 5-2007782-4 |
| 2      | E            | 5.5   | 5-2007782-3 |
| 2      | E            | 4.9   | 5-2007782-2 |
| 2      | E            | 4.5   | 5-2007782-1 |
| 3      | D            | 5.5   | 4-2007782-6 |
| 3      | D            | 4.9   | 4-2007782-5 |
| 3      | D            | 4.5   | 4-2007782-4 |
| 2      | D            | 5.5   | 4-2007782-3 |
| 2      | D            | 4.9   | 4-2007782-2 |
| 2      | D            | 4.5   | 4-2007782-1 |
| 3      | C            | 5.5   | 3-2007782-6 |
| 3      | C            | 4.9   | 3-2007782-5 |
| 3      | C            | 4.5   | 3-2007782-4 |
| 2      | C            | 5.5   | 3-2007782-3 |
| 2      | C            | 4.9   | 3-2007782-2 |
| 2      | C            | 4.5   | 3-2007782-1 |
| 3      | B            | 5.5   | 2-2007782-6 |
| 3      | B            | 4.9   | 2-2007782-5 |
| 3      | B            | 4.5   | 2-2007782-4 |
| 2      | B            | 5.5   | 2-2007782-3 |
| 2      | B            | 4.9   | 2-2007782-2 |
| 2      | B            | 4.5   | 2-2007782-1 |
| 3      | A            | 5.5   | 1-2007782-6 |
| 3      | A            | 4.9   | 1-2007782-5 |
| 3      | A            | 4.5   | 1-2007782-4 |
| 2      | A            | 5.5   | 1-2007782-3 |
| 2      | A            | 4.9   | 1-2007782-2 |
| 2      | A            | 4.5   | 1-2007782-1 |
| 3      | -            | 5.5   | 2007782-6   |
| 3      | -            | 4.9   | 2007782-5   |
| 3      | -            | 4.5   | 2007782-4   |
| 2      | -            | 5.5   | 2007782-3   |
| 2      | -            | 4.9   | 2007782-2   |
| 2      | -            | 4.5   | 2007782-1   |
| FINISH | KEY POSITION | DIM M | PART NUMBER |



REFER TO WWW.TE.COM  
FOR PRODUCT AVAILABILITY

|  |  |                          |   |
|--|--|--------------------------|---|
| THIS DRAWING IS A CONTROLLED DOCUMENT. |  | DWN J. K. SHOBER 22DEC11 | <b>TE</b> TE Connectivity   |
| DIMENSIONS: mm                         |  | CHK J. EARY 22DEC11      |   |
| TOLERANCES UNLESS OTHERWISE SPECIFIED: |  | APVD J. EARY 22DEC11     | NAME: IMPACT, 3 PAIR, 10 COLUMN, HEADER RIGHT GUIDED, LEFT END WALL SIGNAL MODULE, 0.46 PTH |
| 9 PLC ±0.25                            |  | PRODUCT SPEC             |   |
| 3 PLC ±0.13                            |  | APPLICATION SPEC         | SIZE CAGE CODE DRAWING NO RESTRICTED TO   |
| 5 PLC ±                                |  | WEIGHT                   | A100779C=2007782  |
| 4 PLC ±                                |  | CUSTOMER DRAWING         | SCALE 5:1 SHEET 2 OF 2 REV C  |
| ANGLES FINISH SEE TABLE                |  |                          |   |

单击下面可查看定价，库存，交付和生命周期等信息

[>>TE Connectivity\(泰科\)](#)