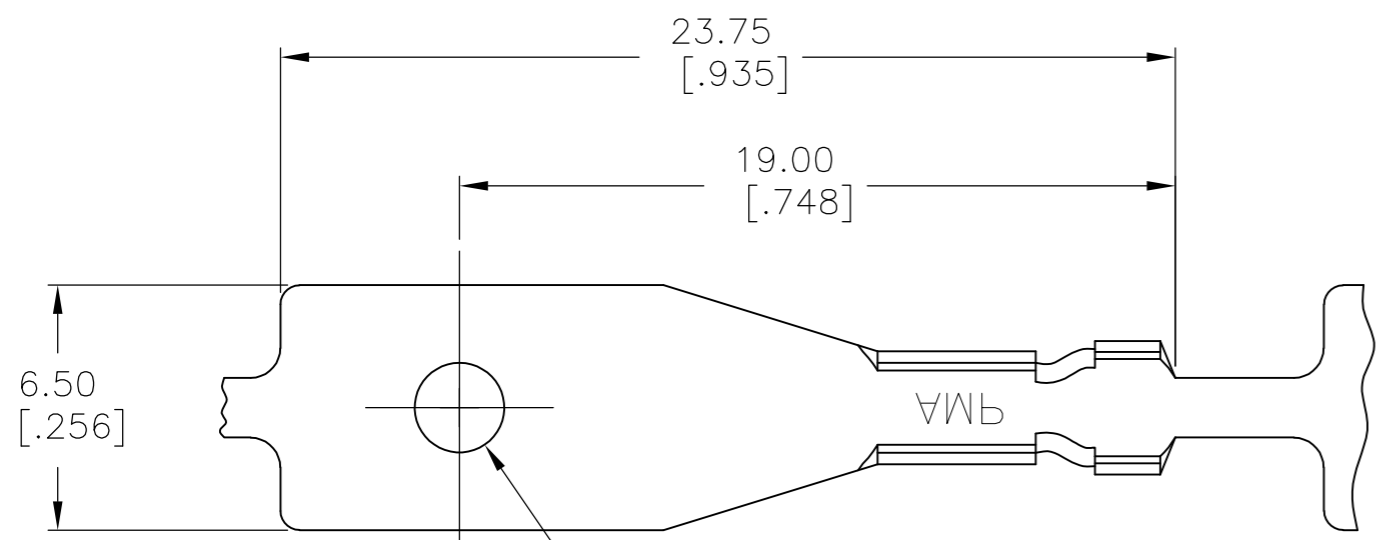
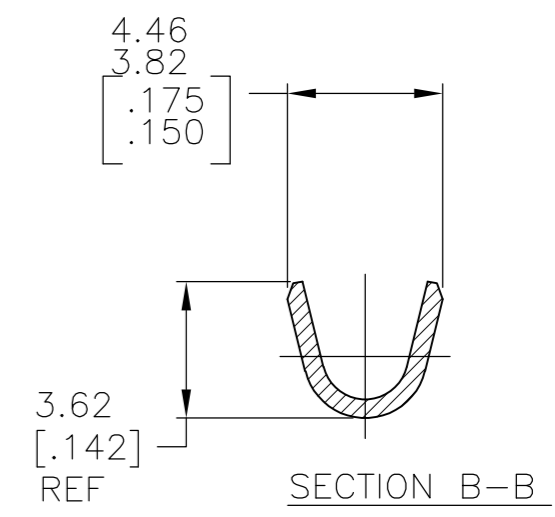
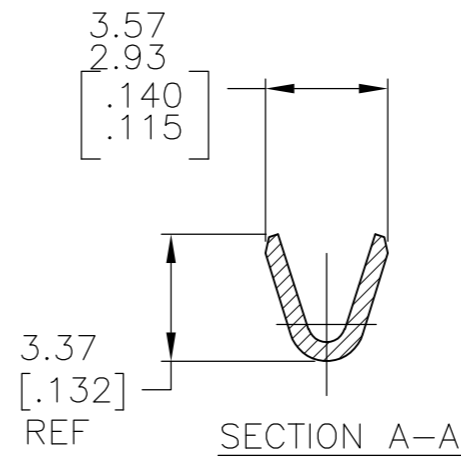
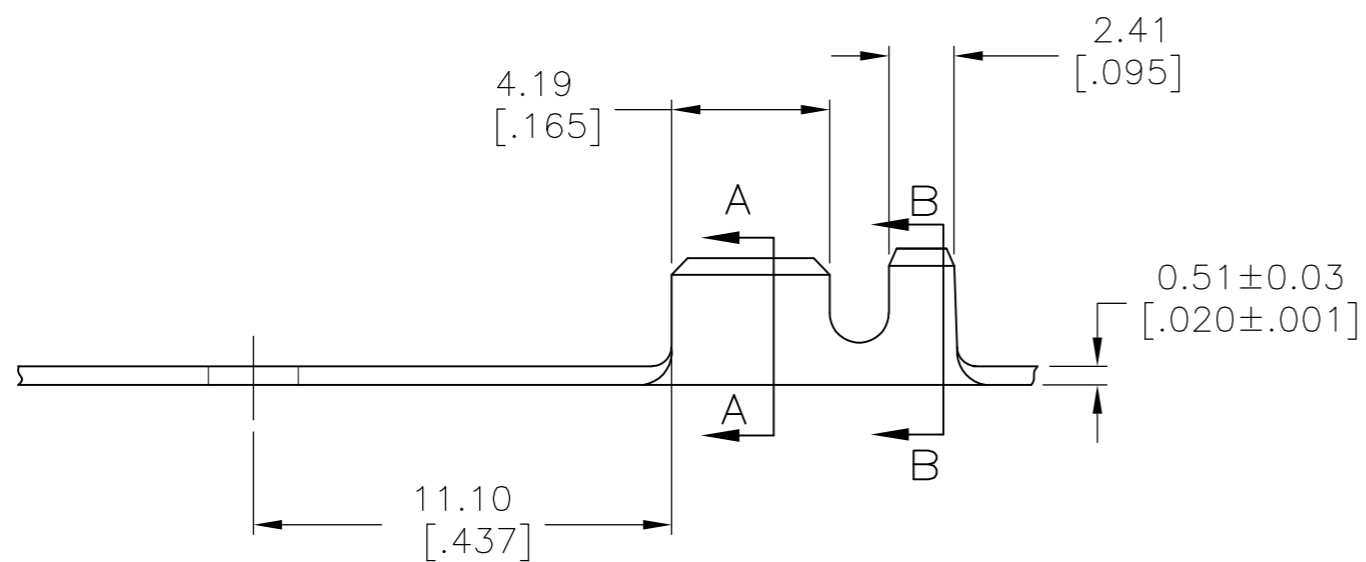


THIS DRAWING IS UNPUBLISHED. RELEASED FOR PUBLICATION
 © COPYRIGHT BY TYCO ELECTRONICS CORPORATION. ALL RIGHTS RESERVED.

LOC	DIST	REVISIONS			
P	LTR	DESCRIPTION	DATE	DWN	APVD
AF	53	A1	REVISED PER ECR-07-030301	19MAY08	HMR JR



1 CONTINUOUS STRIP ON REELS



640082-1
PART NO

THIS DRAWING IS A CONTROLLED DOCUMENT.		DWN RAGHAVENDRA 19MAY08	Tyco Electronics Corporation Harrisburg, PA 17105-3608	
DIMENSIONS: mm [INCHES]	TOLERANCES UNLESS OTHERWISE SPECIFIED:	CHK JEFF RUTH 19MAY08	NAME	
	0 PLC ± -	APVD JEFF RUTH 19MAY08	RING	
	1 PLC ± -	PRODUCT SPEC	-	
	2 PLC ± -	APPLICATION SPEC	-	
	3 PLC ± 0.38 [.015]	WEIGHT	-	
	4 PLC ± -	SIZE CAGE CODE DRAWING NO RESTRICTED TO		
	ANGLES ± -	A3 00779 C-640082		
MATERIAL STEEL	FINISH NICKEL	CUSTOMER DRAWING SCALE 5:1 SHEET 1 OF 1 REV A1		

单击下面可查看定价，库存，交付和生命周期等信息

[>>TE Connectivity\(泰科\)](#)