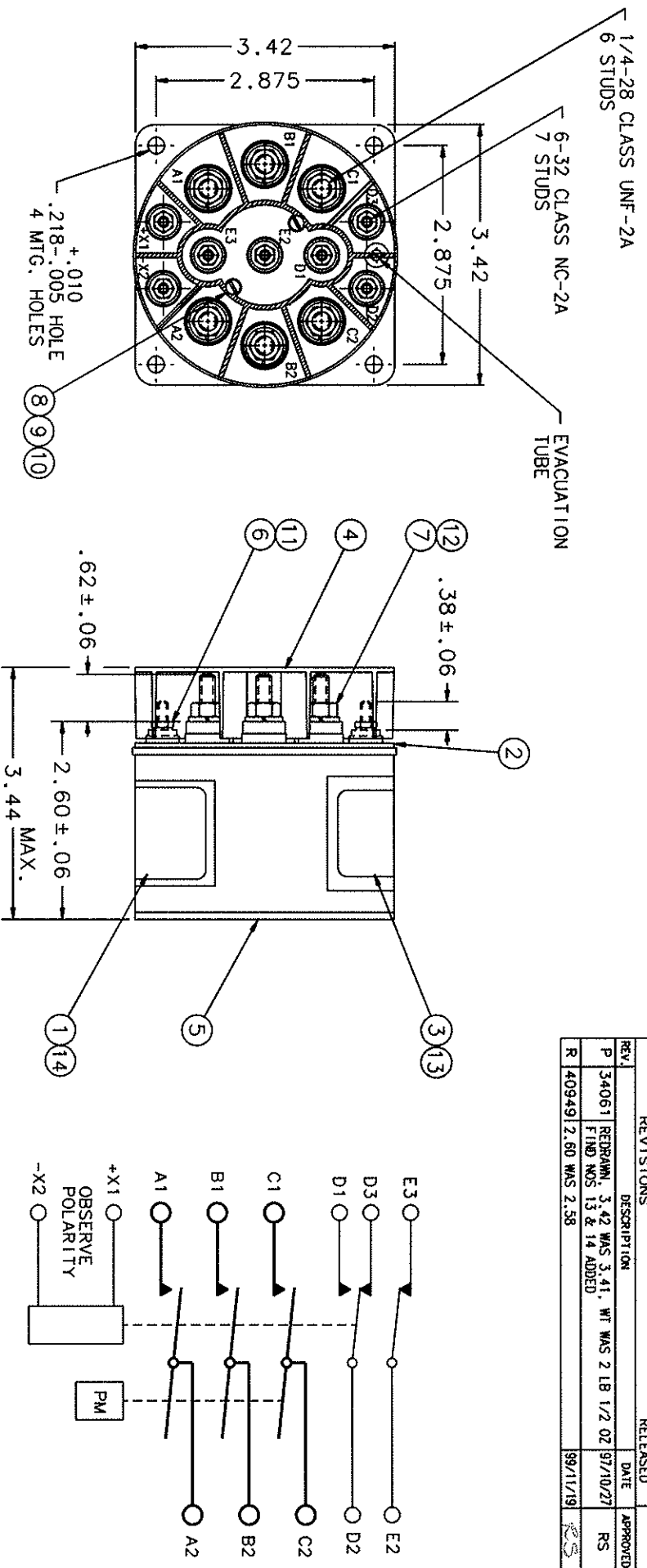


REV.	DESCRIPTION	DATE	APPROVED
P 34061	REDRAWN - 3.42 WAS 3.41, WT WAS 2 LB 1/2 OZ	97/10/27	RS
R 40949	FIND NOS 13 & 14 ADDED	99/11/19	RS
R 40949	2.60 WAS 2.58		



**CONSTRUCTION**  
 HERMETICALLY SEALED

**NOMINAL CONTACT VOLTAGE**  
 115/200 VAC, 400 HZ

**CONTACT RATING (MAIN)**  
 RESISTIVE 120 AMP, 400 HZ  
 INDUCTIVE 120 AMP, 400 HZ

**AUXILIARY CONTACT RATING**  
 5 AMP, 28 VDC

**NOMINAL COIL VOLTAGE**  
 28 VDC

**PICKUP VOLTAGE**  
 21 VDC MAX AT 120°C  
 18 VDC MAX AT 71°C

**DROPOUT VOLTAGE**  
 7 +0  
 -5, .5 VDC

**TEMPERATURE RANGE**  
 -55°C TO +120°C

**MIN. OPERATING CYCLES**  
 50,000 ELECTRICAL

**MAX. WEIGHT**  
 2.1 LBS.

FIND NO	QTY	PART OR IDENTIFYING NO	NAME/DESCRIPTION OR	ESCR NO	DRAWING OR SPECIFICATION	MATERIAL OR NOTE
14	1	39529-027	OVERLAY - NAME PLATE			
13	1	39529-017	OVERLAY - WIRING DIAGRAM			
12	6	51807-034	WASHER - 1/4 SPLIT LOCK			BRONZE
11	7	51806-014	WASHER - NO. 6 SPLIT LOCK			BRONZE
10	2	51805-011	WASHER - NO. 5 SPLIT LOCK			BRONZE
9	2	51701-180	WASHER .015 X .103 X 3/16			MYLAR
8	2	51205-291	SCREW 5-40 X 5/8 RD. HD.			BRASS
7	6	50407-074	NUT 1/4-28 X 3/8 X 3/16 HEX.			BRASS
6	7	50406-034	NUT 5-32 X 1/4 X 5/64 HEX.			BRASS
5	1	20001-010	CONTACTOR ASSEMBLY - PRIMARY			
4	1	17539-001	SHIELD - TERMINAL			
3	1	18440-001	PLATE - WIRING DIAGRAM			
2	1	18337-002	PLATE - BASE COVER			
1	1	16043-001	PLATE - NAME			

UNLESS OTHERWISE SPECIFIED DIMENSIONS ARE IN INCHES (TOLERANCES UNLESS OTHERWISE SPECIFIED)	DR BY	RLS	99/12/14
2 PL DEC.13 PL DEC. ANGLE S	CHK BY	RS	99/12/14
* .03	ENGR	MS	99/12/14
* .010	MFG	MS	99/12/14
* 1*	RELEASE		
	CONTR NO.		
	GOVT APPL		

HARTMAN ELECTRICAL MANUFACTURING	CONTRACTOR - 3PST N.O.
MANSTFLD., OHIO	120 A, 400 HZ, 28 VDC COIL
SIZE	CODE IDENT DWG NO.
C	74063
SCALE NONE	DH-25CE
	SHEET

单击下面可查看定价，库存，交付和生命周期等信息

[>>TE Connectivity\(泰科\)](#)