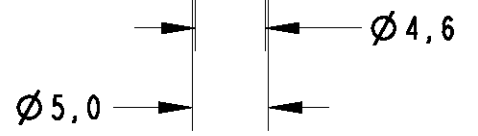
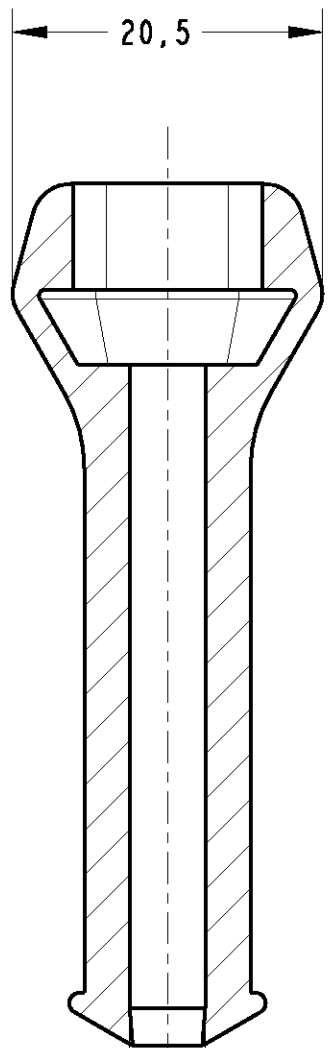
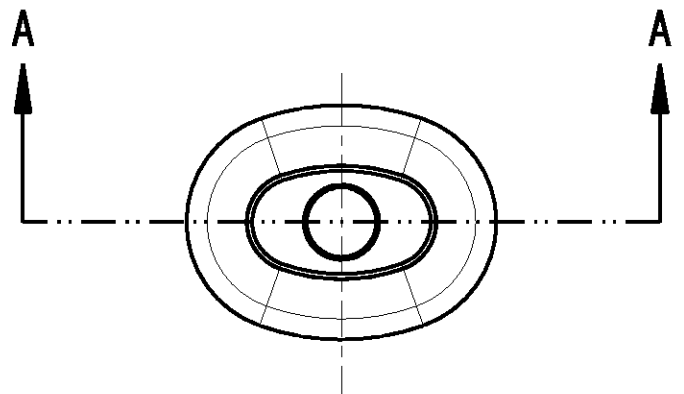


THIS DRAWING IS UNPUBLISHED. RELEASED FOR PUBLICATION  
 © COPYRIGHT BY ALL RIGHTS RESERVED.

LOC	DIST	REVISIONS			
P	LTR	DESCRIPTION	DATE	DWN	APVD
AP	-	B1	REVISED PER ECO-11-005139	19MAR11	RK HMR



SECTION A-A


① - ELASTÔMERO SAE J200, 2BC 414, A14, B14, C12, E014, F17, Z1  
 Z1=RESISTÊNCIA RASGO, ASTM D624 - 20kg/cm MIN.

② - ELASTÔMERO SAE J200, 2BC 514, A14, B14, C12, E014, F17, Z1  
 Z1=RESISTÊNCIA RASGO, ASTM D624 - 20kg/cm MIN.

① -ELASTOMER SAE J200, 2BC 414, A14, B14, C12, E014, F17, Z1  
 Z1= TEAR RESISTANCE, ASTM D624 -20kg/cm MIN.

② -ELASTOMER SAE J200, 2BC 514, A14, B14, C12, E014, F17, Z1  
 Z1= TEAR RESISTANCE, ASTM D624 -20kg/cm MIN.

FINISH	HARDNESS	MATERIAL	PART NUMBER
PRETO/BLACK	40±5 SHORE A	ELASTOMER ①	880810-2
PRETO/BLACK	50±5 SHORE A	ELASTOMER ②	880810-1

DIMENSIONS: mm		TOLERANCES UNLESS OTHERWISE SPECIFIED: 0 PLC ±0.3 1 PLC ±0.3 2 PLC ±0.3 3 PLC ±0.3 4 PLC ±0.3 ANGLES ±P		DWN M.L. OGAWA 09JUN99 CHK P.L. FARIA 10JUN99 APVD J.M.M. NETO 10JUN99		 TE Connectivity	
MATERIAL SEE TABLE		FINISH SEE TABLE		PRODUCT SPEC -		NAME COVER CAP 2 POSN	
WEIGHT -		APPLICATION SPEC -		SIZE A3		CAGE CODE 00779	
CUSTOMER DRAWING		DRAWING NO C-880810		RESTRICTED TO -		SCALE 2:1	

**CAD FILE**  
 DO NOT REVISE EXCEPT BY CAD

单击下面可查看定价，库存，交付和生命周期等信息

[>>TE Connectivity\(泰科\)](#)