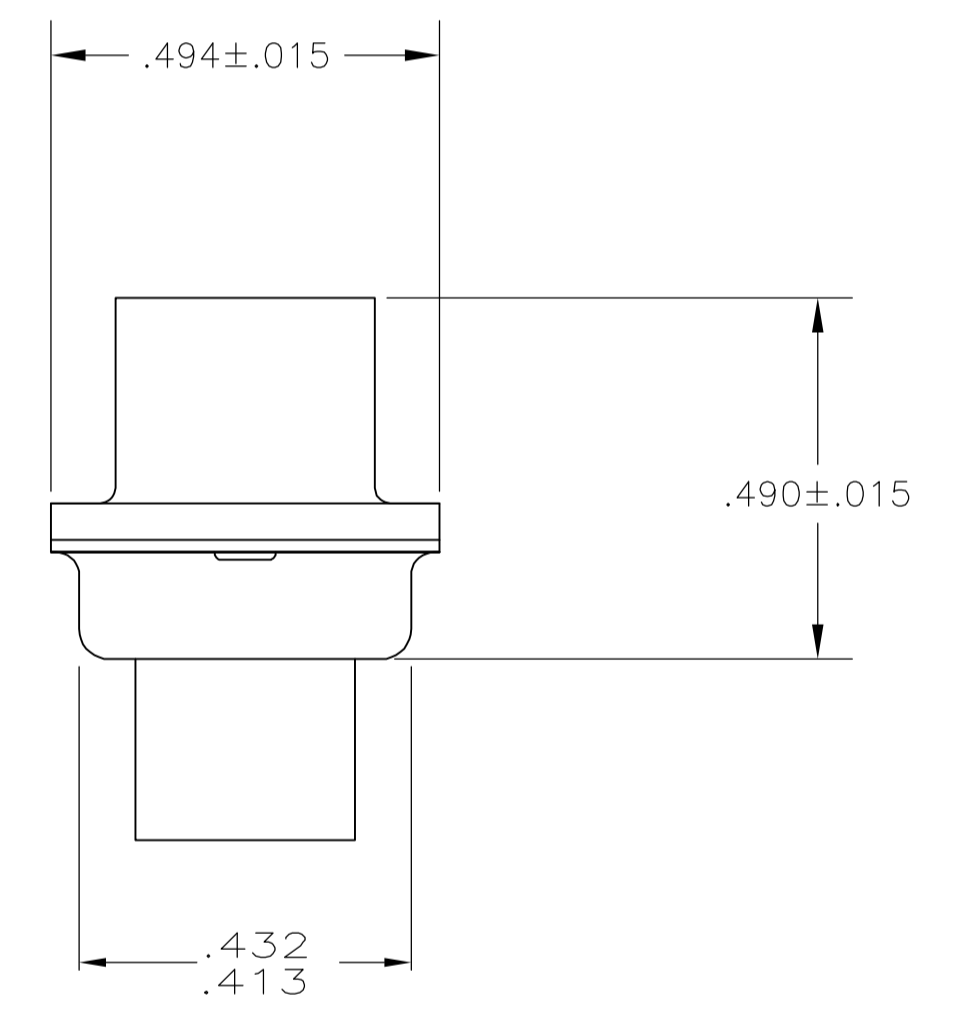
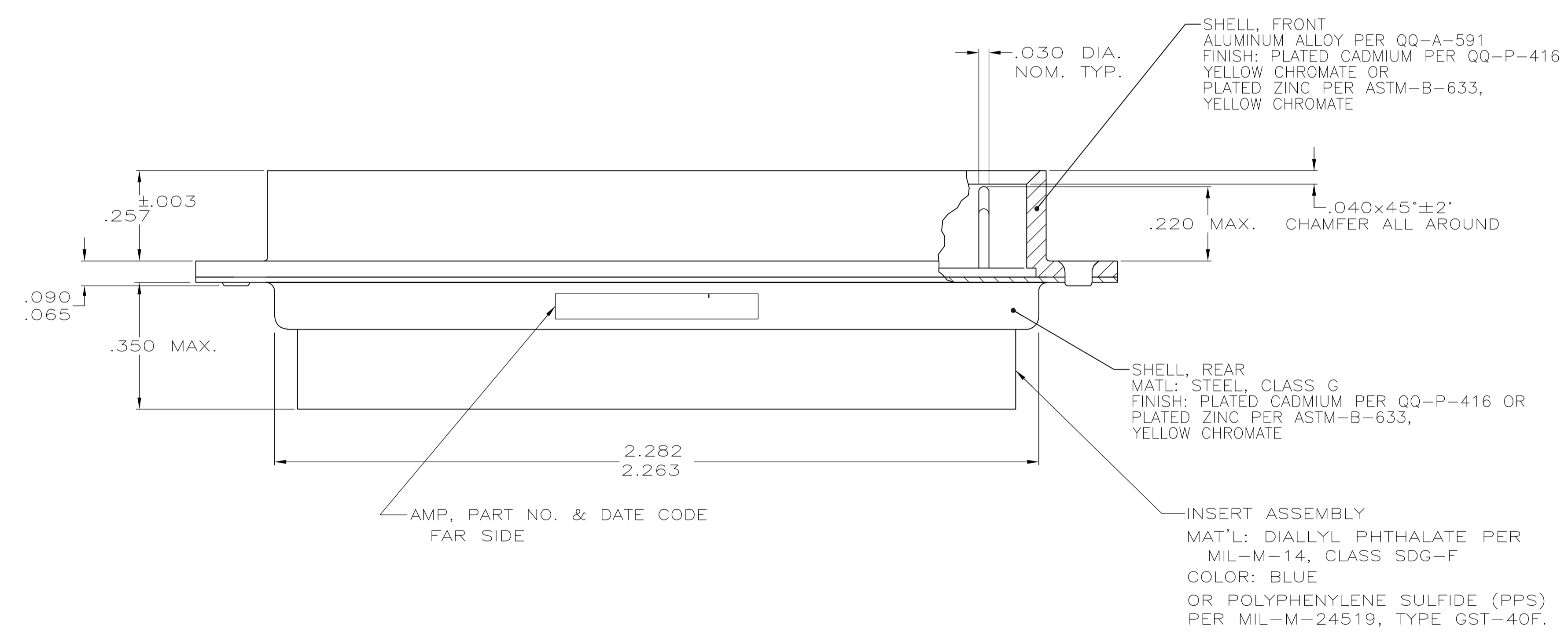
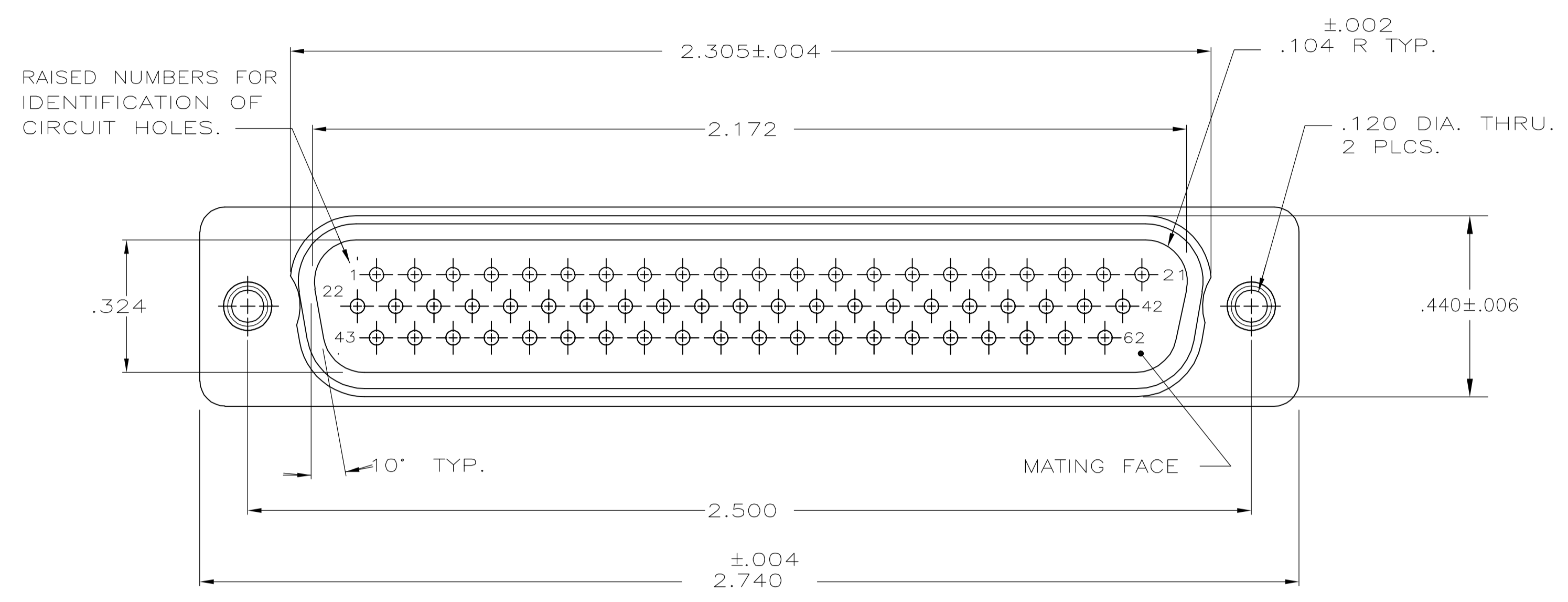


LOC		DIST		REVISIONS			
DF	DO	REV	PER	DESCRIPTION	DATE	BY	APP'D
M		REV	PER	EC OH14-0277-05	12JAN06	BL	CCT



1. THIS PLUG WILL MATE WITH ANY 62 POSN., SIZE 4 RECEPTACLE IN AMPLIMITE SERIES.
 2. MAXIMUM WIRE INSULATION TO BE USED WITH THIS PLUG IS .054 DIA.
 3. SST RETENTION CLIPS ARE INCLUDED IN INSERTS.
 4. THIS PLUG IS DESIGNED TO CONFORM TO THE LATEST ISSUE OF MIL-C-24308.
 5. CONNECTOR SUPPLIED WITHOUT CONTACTS; SHOWN FOR ILLUSTRATION ONLY.
 6. THIS PLUG WILL ACCEPT SIZE 22 DM PIN CONTACT M39029/58-22-22D OR ANY AMP SIZE 22 DF PIN CONTACT.
- ▲ UL/CSA DESIGNATION STAMPED IN THIS AREA.

PRELIMINARY NOT RELEASED FOR PRODUCTION	ZINC	AS SHOWN	213118-2
	CADMIUM	AS SHOWN	213118-1
	SHELL FINISH	DESCRIPTION	PART NUMBER
		PLUG ASSY., AMPLIMITE, 62 POSN., SIZE 4, SERIES 90, BLINDMATE	

THIS DRAWING IS A CONTROLLED DOCUMENT.		DIN	10-17-85	Tyco Electronics Corporation Harrisburg, PA 17105-3608
		CHK	10-25-85	
DIMENSIONS: INCHES		TOLERANCES UNLESS OTHERWISE SPECIFIED:		
0 PLC ± -		1 PLC ± -		
1 PLC ± -		2 PLC ± -		
2 PLC ± -		3 PLC ± .005		
3 PLC ± -		4 PLC ± -		PRODUCT SPEC
4 PLC ± -		ANGLES ± 0.30°		APPLICATION SPEC
MATERIAL SEE CALLOUT		FINISH SEE CALLOUT		SIZE CASE CODE DRAWING NO
				A1 00779 C=213118
				RESTRICTED TO
				CUSTOMER DRAWING
				SCALE 1:1 SHEET 1 OF 1 REV M

单击下面可查看定价，库存，交付和生命周期等信息

[>>TE Connectivity\(泰科\)](#)