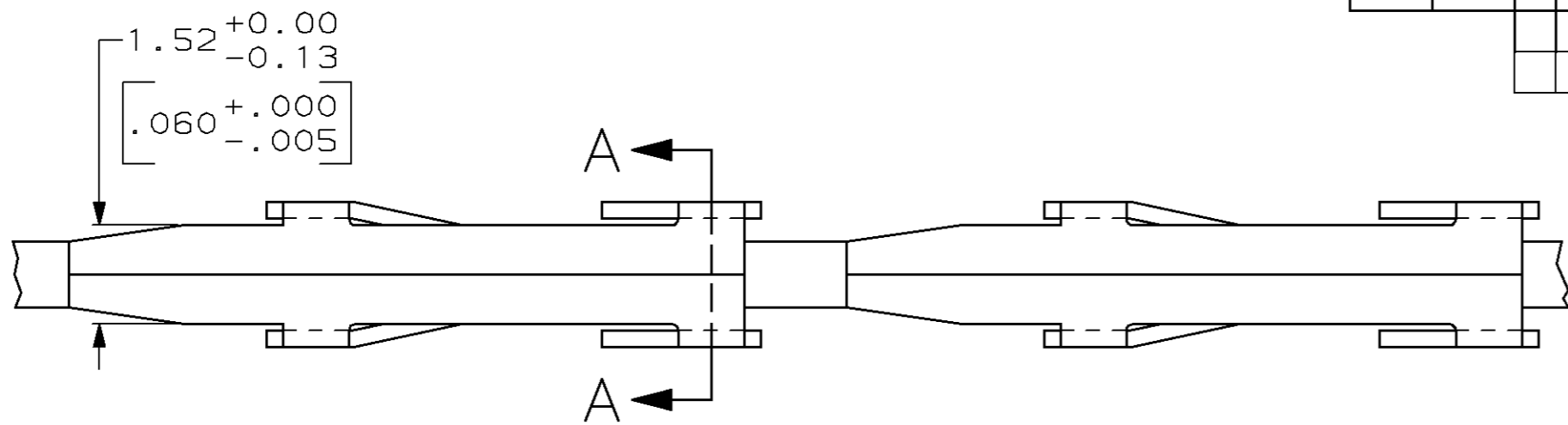
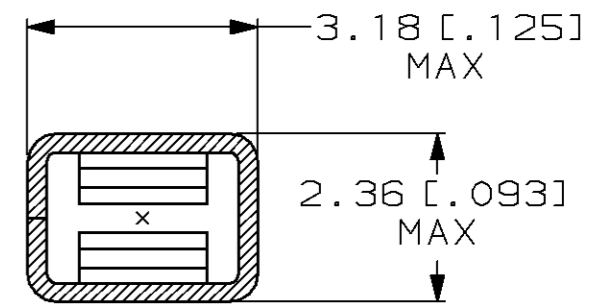
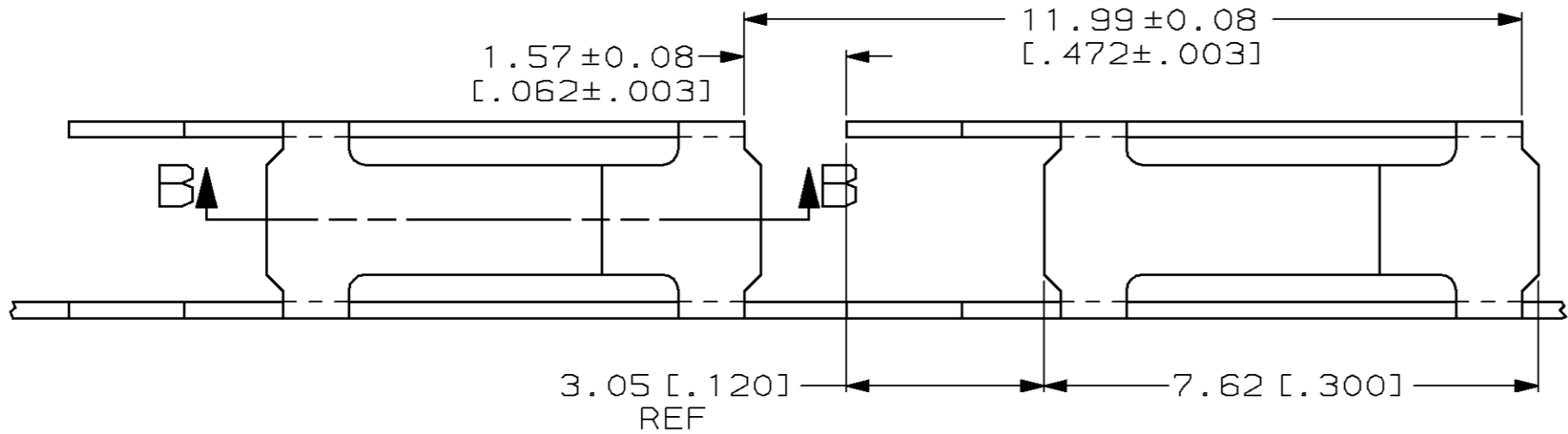


THIS DRAWING IS UNPUBLISHED. RELEASED FOR PUBLICATION, 19...
© COPYRIGHT 19 BY AMP INCORPORATED. ALL RIGHTS RESERVED.

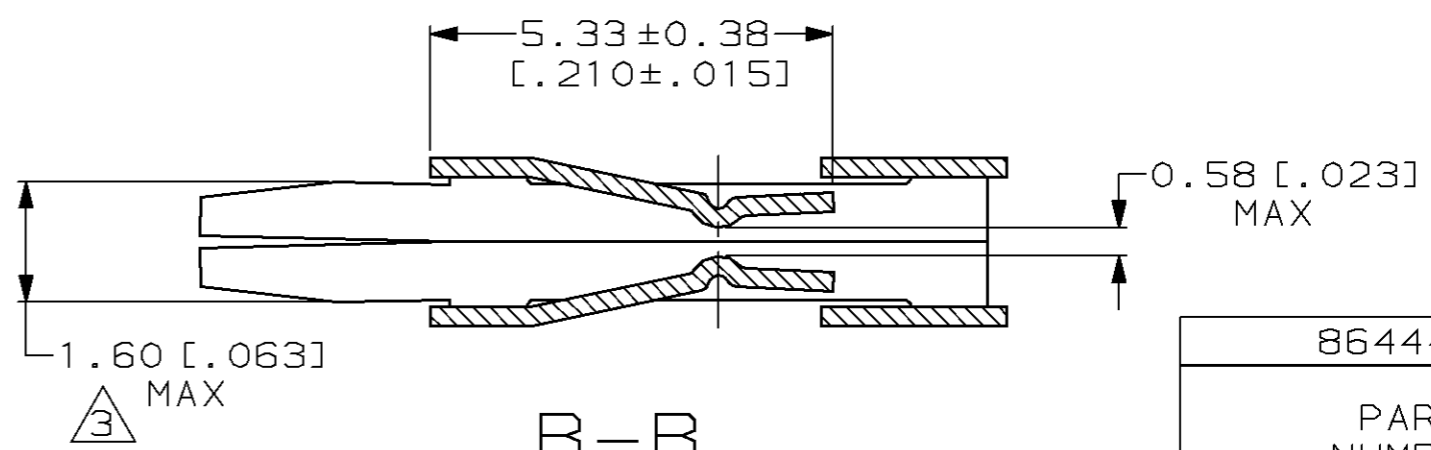
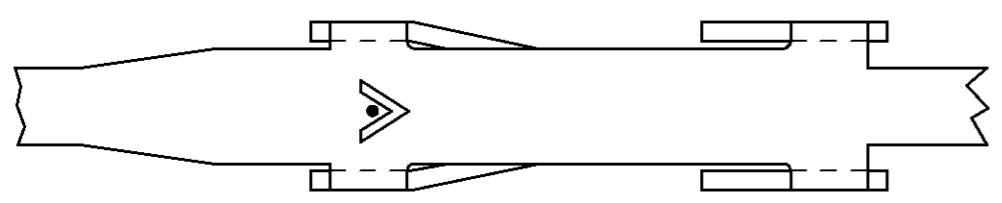
LOC	DIST	REVISIONS			
P	LTR	DESCRIPTION	DATE	DWN	APVD
AD	39				
	D	REV PER 0010-1061-94	28-DEC-96	EB	JH
	E	REV PER 0010-1175-95	28-DEC-96	EB	JH



- 1 MATERIAL: PHOSPHOR BRONZE
- 2 FINISH: TIN PLATE
- 3 MAX RANGE PERMISSIBLE FOR TINE SEPARATIONS. TINES TEND TO SEPARATE WHEN LEG IS BENT DOWNWARD.

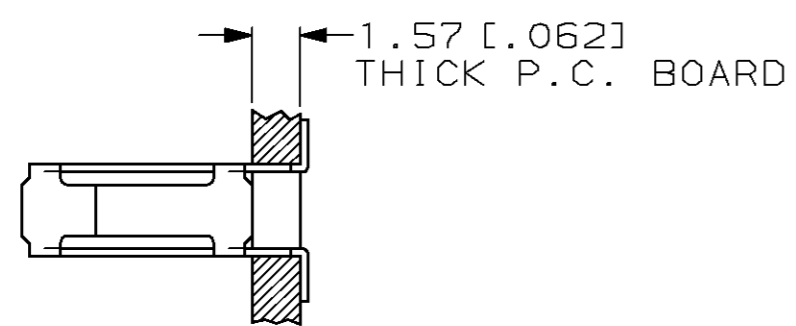


A-A



B-B

86444-1
PART NUMBER



TYPICAL APPLICATION

THIS DRAWING IS A CONTROLLED DOCUMENT FOR AMP INCORPORATED. IT IS SUBJECT TO CHANGE AND THE CONTROLLING ENGINEERING ORGANIZATION SHOULD BE CONTACTED FOR THE LATEST REVISION.		DWN E. BRANDBERG 28-DEC-96	AMP AMP Incorporated Harrisburg, PA 17105-3608
DIMENSIONS: mm [INCH]		CHK J. HERRINGTON 28-DEC-96	
TOLERANCES UNLESS OTHERWISE SPECIFIED:		APVD D. TROUT 28-DEC-96	NAME FEMALE CONTACT, VERTICAL, TYPE "A", MOD I, HIGH PRESSURE.
0 PLC ±-	1 PLC ±-	PRODUCT SPEC	SIZE A3
2 PLC ±0.13 [.005]	3 PLC ±-	APPLICATION SPEC	CAGE CODE 00779
4 PLC ±-	ANGLES ±-	WEIGHT	DRAWING NO C-86444
MATERIAL 1	FINISH 2	CUSTOMER DRAWING	SCALE 10:1 SHEET 1 OF 1 REV E

单击下面可查看定价，库存，交付和生命周期等信息

[>>TE Connectivity\(泰科\)](#)