

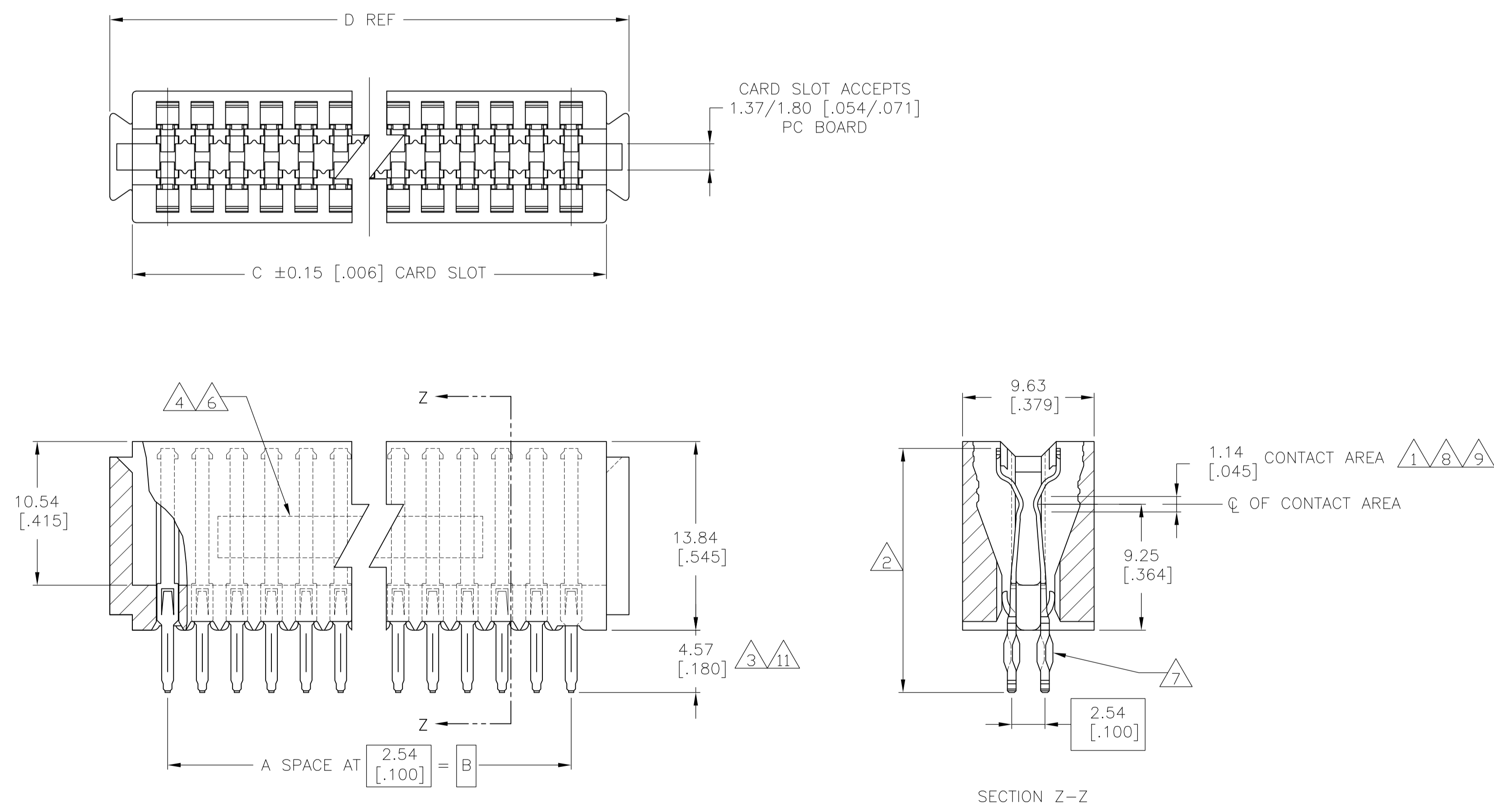
REVISIONS					
P	LTR	DESCRIPTION	DATE	OWN	APVD
W	REVISED PER	ECO-15-015185	09NOV2016	SY	SY

- 1 GOLD PLATE .00076[.000030] MIN THICK
- 2 NICKEL PL .00127[.000050] MIN THK PER QQ-N-290
- 3 SOLDER PL .00076[.000030] MIN THK.
- 4 STAMPED P/N & DATE CODE
- 5. OPTIONAL: CARD GUIDE (BASE NO 117169)
- 6 ALL PARTS ASSEMBLED IN MEXICO MUST BE STAMPED "ASSY IN MEXICO".THE WORD "MEXICO" CAN BE SUBSTITUTED ONLY WHERE PART SIZE PROHIBITS STAMPING "ASSY IN MEXICO", INK PER 115-9009, APPROX WHERE SHOWN, SIDE OPTIONAL
- 7 ACTION PIN REQUIRES 2.13[.084] MIN THK PC BOARD

REQ'D DRILL SIZE	HOLE DIA ±.03[.001]	REQUIRED HOLE DIAMETER TOLERANCES FOR COMPLIANT SECTION				COPPER HARDNESS (KNOOP)	PAD DIA MIN
		PLATING THICKNESS		HOLE DIAMETER			
		COPPER	TIN/LEAD	AFTER PLATING	AFTER REFLOW		
1.15mm	1.15 [.0453]	0.03-0.08 [.001-.003]	0.008 MIN [.0003] MIN	0.94-1.09 [.037-.043]	0.914-1.09 [.0036-.043]	150 MAX	1.57 [.062]
1.15mm	1.15 [.0453]	NOT PLATED THRU					1.65 [.065]

- 8 .00076[.000030] MIN THICK GOLD PLATE
- 9 .00076[.000030] MIN GOLD OVER .00127[.000050] MIN NICKEL PER QQ-N-290
- 10 PRELIMINARY - NOT RELEASED FOR PRODUCTION
- 11 SOLDER PL .00076[.000030] MIN MATTE TIN PLATE
- 12 OBSOLETE PARTS: OBSOLETE CIS STREAMLINING PER D.RENAUD/D.SINISI

OBSOLETE	158.34 [6.234]	155.04 [6.104]	149.86 [5.900]	-59	60	9-119734-6
	132.94 [5.234]	129.64 [5.104]	124.46 [4.900]	-49	50	8-119734-6
	107.54 [4.234]	104.24 [4.104]	99.06 [3.900]	-39	40	7-119734-6
	94.84 [3.734]	91.54 [3.604]	86.36 [3.400]	-34	35	7-119734-1
	77.06 [3.034]	73.76 [2.904]	68.58 [2.700]	-27	28	6-119734-4
OBSOLETE	69.44 [2.734]	66.14 [2.604]	60.96 [2.400]	-24	25	6-119734-1
	56.74 [2.234]	53.44 [2.104]	48.26 [1.900]	-19	20	5-119734-6
OBSOLETE	107.54 [4.234]	104.24 [4.104]	99.06 [3.900]	-39	40	4-119734-8
	107.54 [4.234]	104.24 [4.104]	99.06 [3.900]	-39	40	4-119734-7
OBSOLETE	158.34 [6.234]	155.04 [6.104]	149.86 [5.900]	-59	60	4-119734-6
						4-119734-5
						4-119734-4
						4-119734-3
						4-119734-2
OBSOLETE	145.64 [5.734]	142.34 [5.604]	137.16 [5.400]	-54	55	4-119734-1
						4-119734-0
						3-119734-9
						3-119734-8
OBSOLETE	132.94 [5.234]	129.64 [5.104]	124.46 [4.900]	-49	50	3-119734-7
						3-119734-6
						3-119734-5
						3-119734-4
						3-119734-3
						3-119734-2
						3-119734-0
OBSOLETE	115.16 [4.534]	111.86 [4.404]	106.68 [4.200]	-42	43	3-119734-0
						2-119734-9
						2-119734-8
OBSOLETE	110.08 [4.334]	106.78 [4.204]	101.60 [4.000]	-40	41	2-119734-7
OBSOLETE	107.54 [4.234]	104.24 [4.104]	99.06 [3.900]	-39	40	2-119734-6
						2-119734-5
						2-119734-4
						2-119734-3
						2-119734-2
						2-119734-1
OBSOLETE	97.38 [3.834]	94.08 [3.704]	88.90 [3.500]	-35	36	2-119734-2
	94.84 [3.734]	91.54 [3.604]	86.36 [3.400]	-34	35	2-119734-1
						2-119734-0
						1-119734-9
OBSOLETE	87.22 [3.434]	83.92 [3.304]	78.74 [3.100]	-31	32	1-119734-8
						1-119734-7
OBSOLETE	82.14 [3.234]	78.84 [3.104]	73.66 [2.900]	-29	30	1-119734-6
						1-119734-5
OBSOLETE	77.06 [3.034]	73.76 [2.904]	68.58 [2.700]	-27	28	1-119734-4
						1-119734-3
						1-119734-2
OBSOLETE	69.44 [2.734]	66.14 [2.604]	60.96 [2.400]	-24	25	1-119734-1
						1-119734-0
						119734-9
OBSOLETE	61.82 [2.434]	58.52 [2.304]	53.34 [2.100]	-21	22	119734-8
						119734-7
OBSOLETE	56.74 [2.234]	53.44 [2.104]	48.26 [1.900]	-19	20	119734-6
						119734-5
						119734-4
OBSOLETE	49.12 [1.934]	45.82 [1.804]	40.64 [1.600]	-16	17	119734-3
						119734-2
OBSOLETE	44.04 [1.734]	40.74 [1.604]	35.56 [1.400]	-14	15	119734-1



MATERIAL: HOUSING: VALOX 420 SEO, BLACK CONTACT; PHOSPHOR BRONZE

THIS DRAWING IS A CONTROLLED DOCUMENT. DIMENSIONS: mm. TOLERANCES UNLESS OTHERWISE SPECIFIED: 0 PLC ± -, 1 PLC ± -, 2 PLC ± -, 3 PLC ± 0.25 [.010], 4 PLC ± -. ANGLES ± -.

DIN B BAKERMANS 16FEB93
 CHK 07AUG94
 H ROSE
 APVD H ROSE 07AUG94
 PRODUCT SPEC

STE TE Connectivity
 CONNECTOR, AMP PACE, .100 X .100

APPLICATION SPEC 114-26002
 WEIGHT 0.000000
 RESTRICTED CUSTOMER

SIZE A1
 CAGE CODE 000779
 DRAWING NO 119734
 SCALE 4:1 SHEET 1 OF 1 REV W

单击下面可查看定价，库存，交付和生命周期等信息

[>>TE Connectivity\(泰科\)](#)