

4

3

2

1

THIS DRAWING IS UNPUBLISHED.

RELEASED FOR PUBLICATION

2000

© COPYRIGHT 2000

ALL RIGHTS RESERVED.

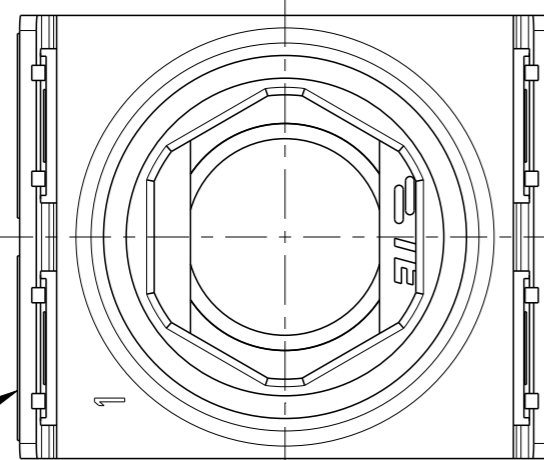
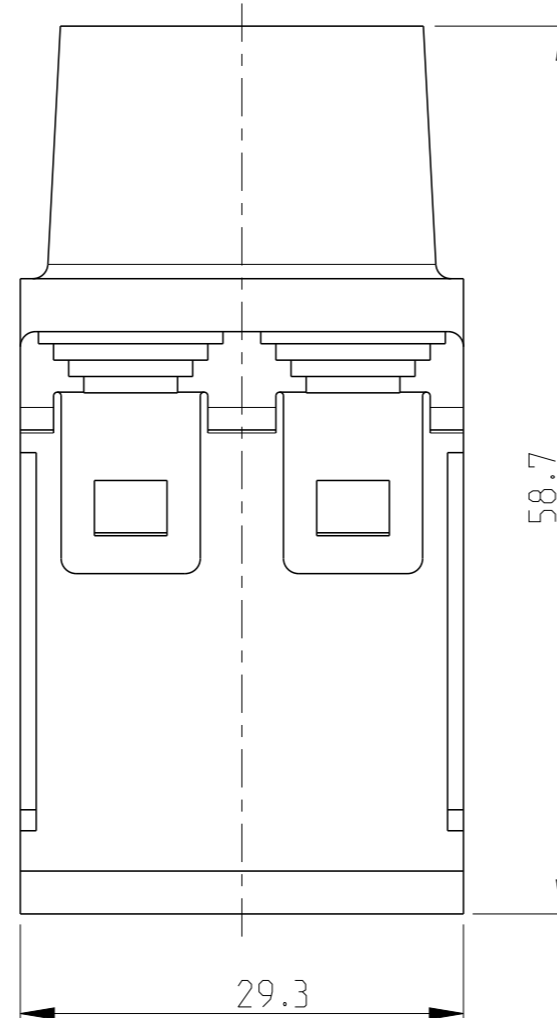
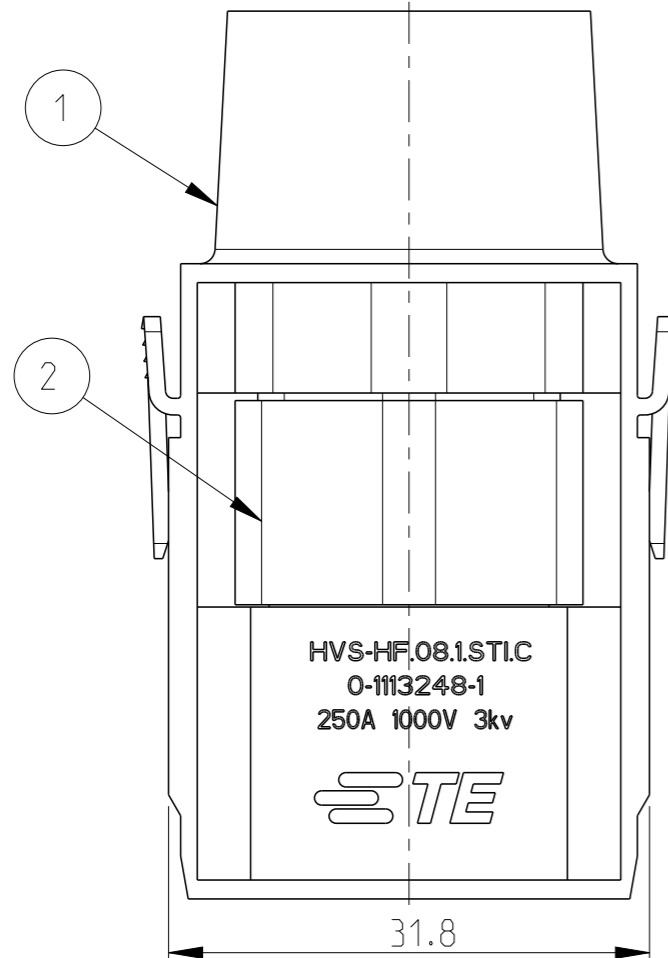
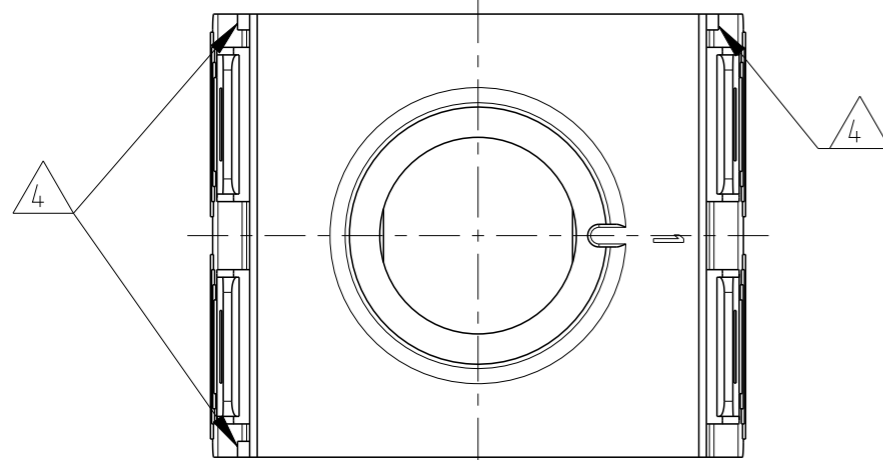
LOC  
A1

DIST

REVISIONS

P	LTR	DESCRIPTION	DATE	DWN	APVD
	C	ECR-15-007331	15MAY2015	GSK	JB

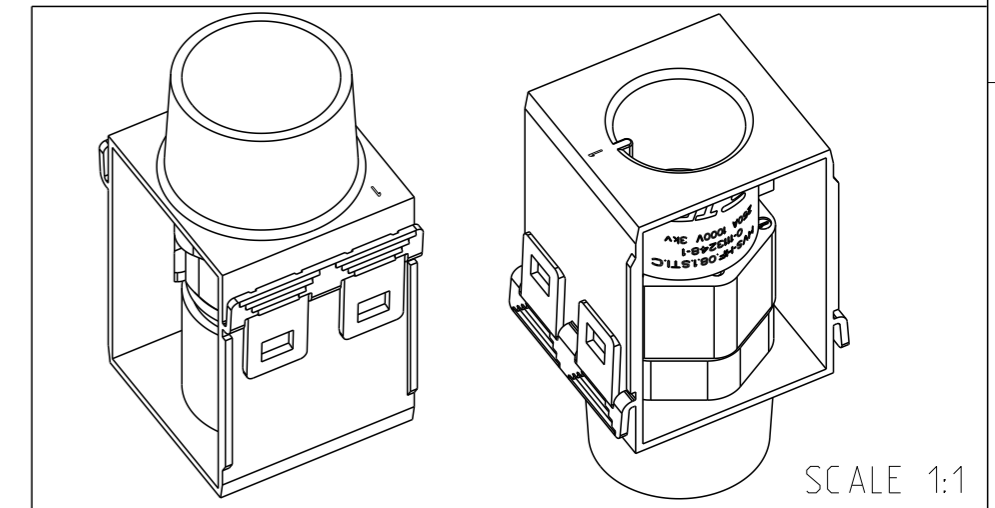
### CONTACT ARRANGEMENT VIEW FROM CONNECTING SIDE



### CONTACT ARRANGEMENT VIEW FROM TERMINATION SIDE

### NOTES

- 1 SUITABLE CRIMP CONTACTS: SERIES HF8  
CUSTOMER DRAWING: 1103037  
OUTER DIMENSIONS OF WIRE: MAX. Ø18.5mm
- 2 SUITABLE CRIMP BARRELS: SERIES HF.06/08  
CUSTOMER DRAWING: 1110952
- 3 SUITABLE MODULE FIXING FRAME: SERIES HVS SIZE 3 TO 8  
CUSTOMER DRAWING: 1103250
- 4 POLARIZATION RIBS
- 5 MARKING OF POLARIZATION ACCORDING TO MARKING OF MODULE FRAME
- 6 PACKAGING:  
10 PIECES IN A CARTON, PRE MOUNTED

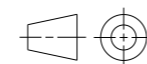


PN 0-1 AS SHOWN

QTY	DESCRIPTION	MATERIAL	COLOR	ITEM NO
1	FIXING CLIP	PA66 - GF25	BLACK	2
1	FEMALE INSERT	PBT - GF10	LIGHT GREY	1
HVS.HF.08.1.BU.C				

THIS DRAWING IS A CONTROLLED DOCUMENT.

DIMENSIONS:  
mm



MATERIAL



TOLERANCES UNLESS OTHERWISE SPECIFIED:

- 0 PLC ±
- 1 PLC ±
- 2 PLC ±
- 3 PLC ±
- 4 PLC ±
- ANGLES ±
- FINISH ±

FINISH



DWN 16.02.2006

CHK 16.02.2006

APVD 16.02.2006

T.SCHNURPFIL

PRODUCT SPEC 108-74044

APPLICATION SPEC 114-74079

WEIGHT

CUSTOMER DRAWING

NAME MALE INSERT HVS-HF.08.1.ST1.C

SIZE A3 CAGE CODE 00779 DRAWING NO C-1103248 RESTRICTED TO

SCALE 5:1 SHEET 1 OF 1 REV C



单击下面可查看定价，库存，交付和生命周期等信息

[>>TE Connectivity\(泰科\)](#)