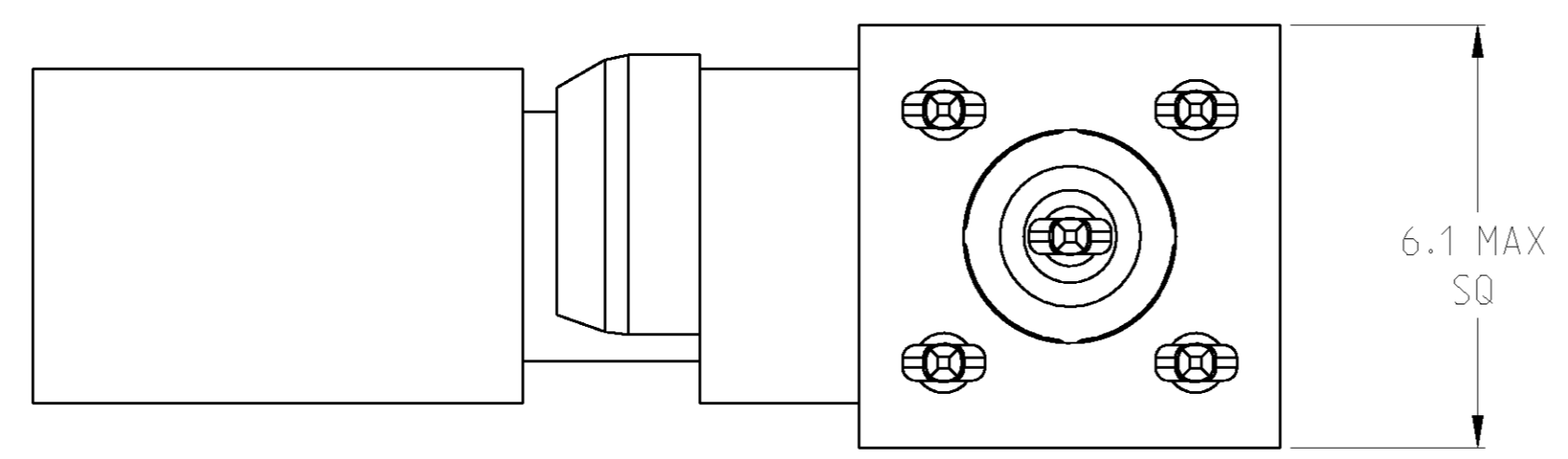
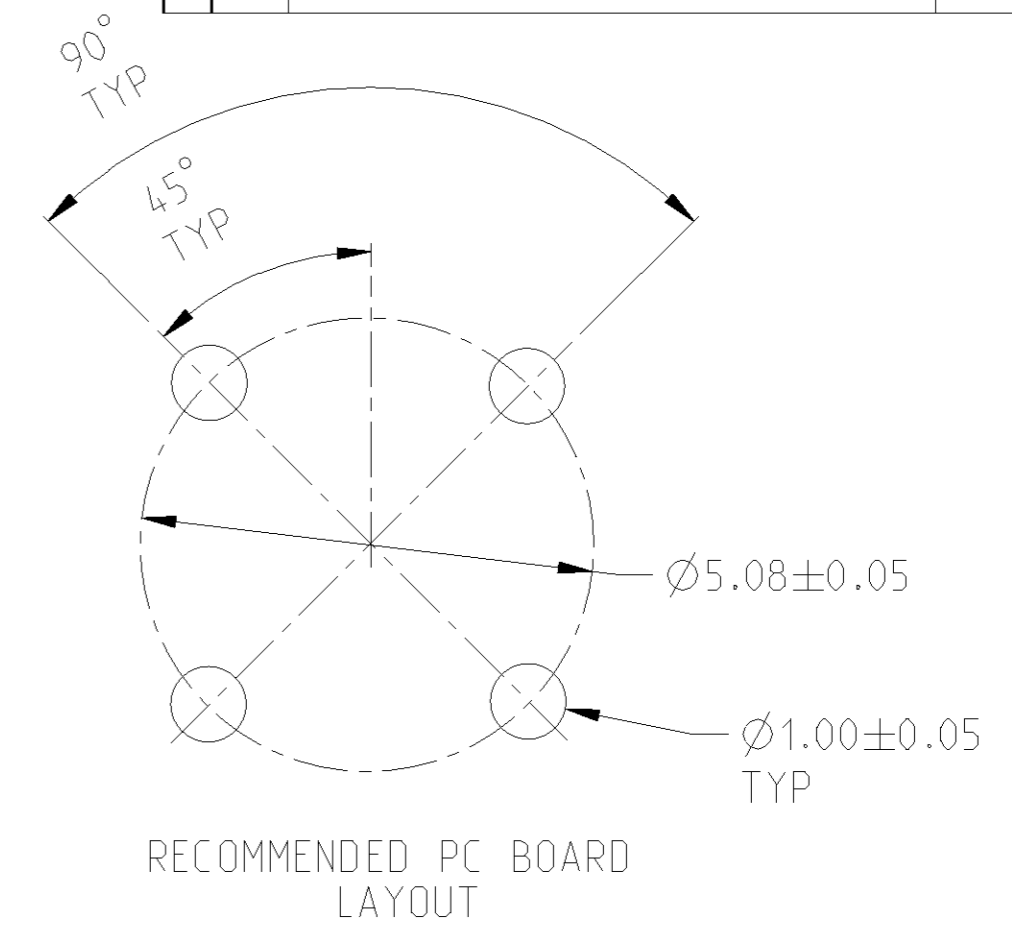
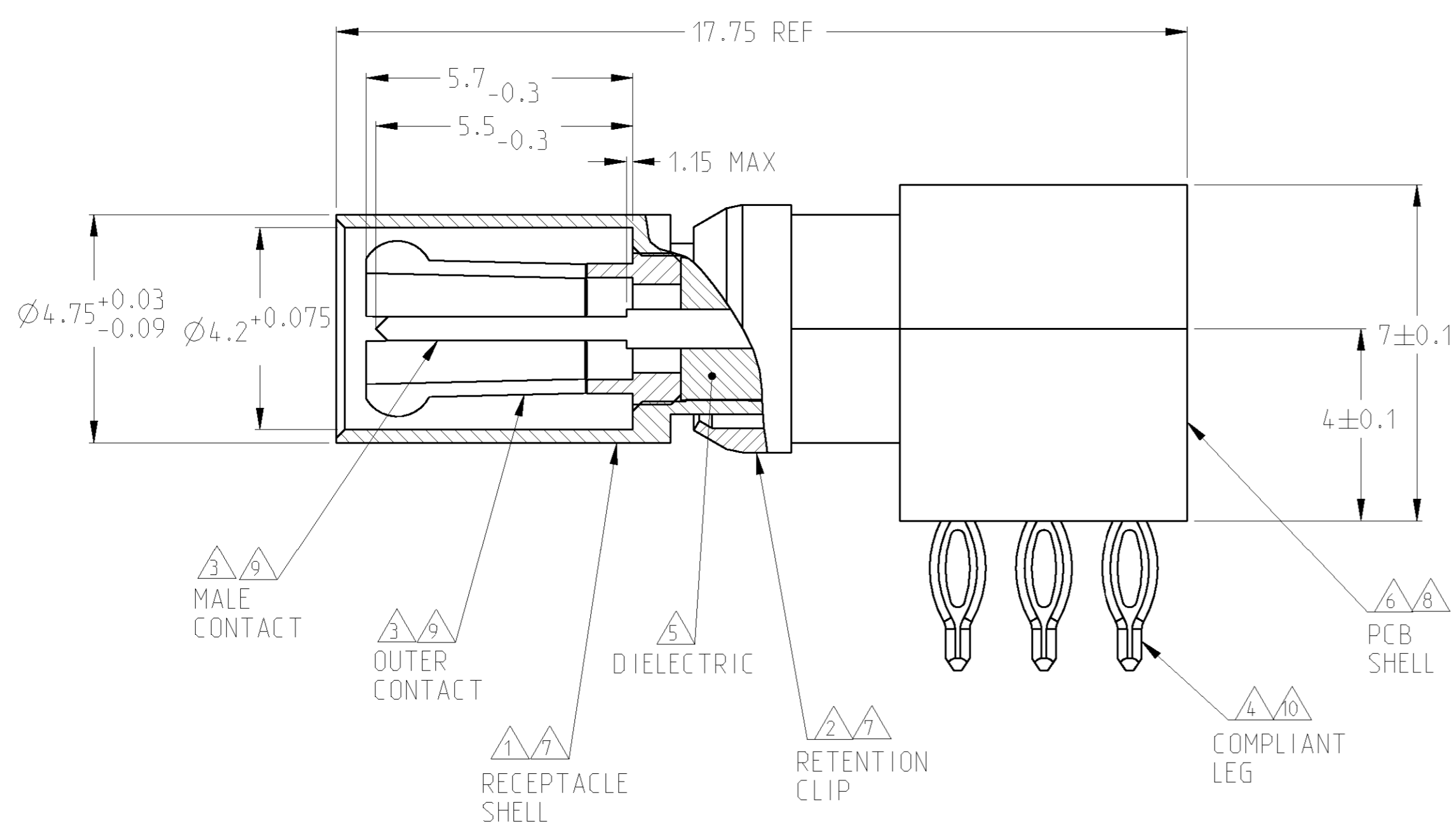


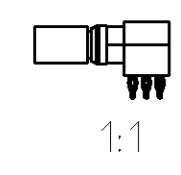
THIS DRAWING IS UNPUBLISHED. RELEASED FOR PUBLICATION
 © COPYRIGHT BY TYCO ELECTRONICS CORPORATION. ALL RIGHTS RESERVED.

LOC	DIST	REVISIONS					
		P	LTR	DESCRIPTION	DATE	DWN	APVD
AJ	16	0		RLS PER 0514-0496-05	18FEB05	KW	KW



- △ BRASS PER ASTM-B-16
- △ BERYLLIUM COPPER PER ASTM-B-194
- △ BERYLLIUM COPPER PER ASTM-B-196
- △ PHOS BRONZE PER ASTM-B-103
- △ POLYMETHYLPENTENE, GENERAL PURPOSE
- △ ZINC PER QQ-Z-363
- △ NICKEL PLATE PER QQ-N-290
- △ NICKEL PLATE PER MIL-C-26074
- △ GOLD PLATE PER ASTM-B488
- △ TIN PLATE PER ASTM-B-545

5148386-1
 PART NUMBER



<small>THIS DRAWING IS A CONTROLLED DOCUMENT FOR TYCO ELECTRONICS CORPORATION. IT IS SUBJECT TO CHANGE AND THE CONTROLLING ENGINEERING ORGANIZATION SHOULD BE CONTACTED FOR THE LATEST REVISION.</small>		DWN K. WEIDNER 18FEB05	Tyco Electronics Middletown, PA 17057	NAME PCB PIN RTANG COMPLIANT		
DIMENSIONS: mm		CHK K. WEIDNER 18FEB05		SIZE A2	CAGE CODE 00779	DRAWING NO C=5148386
TOLERANCES UNLESS OTHERWISE SPECIFIED: 0 PLC ± 1 PLC ± 2 PLC ± 3 PLC ± 4 PLC ± ANGLES ± FINISH -		APVD K. WEIDNER 18FEB05		RESTRICTED TO	-	
MATERIAL -		PRODUCT SPEC - APPLICATION SPEC - WEIGHT -		SCALE 10:1	SHEET 1 OF 1	REV 0
CUSTOMER DRAWING						

单击下面可查看定价，库存，交付和生命周期等信息

[>>TE Connectivity\(泰科\)](#)