

4

3

2

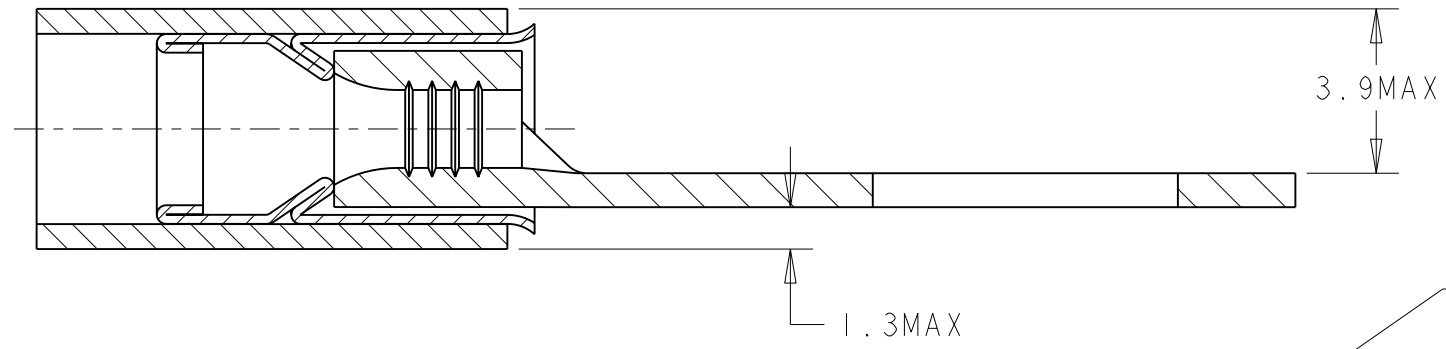
1

THIS DRAWING IS UNPUBLISHED. RELEASED FOR PUBLICATION 20  
 © COPYRIGHT 20 BY TYCO ELECTRONICS CORPORATION. ALL RIGHTS RESERVED.

LOC	DIST	REVISIONS				
P	LTR	DESCRIPTION	DATE	DWN	APVD	
F	00	B	HOLE DIA. TOLERANCES	09JUN2006	JJD	YP
		C	ECR 07-025006	26OCT2007	JT	GR

D

COUPE C-C



C

FOR INSULATION  
 $\phi 1.4 - 2.67$   
 $\phi 5.15$  MAX

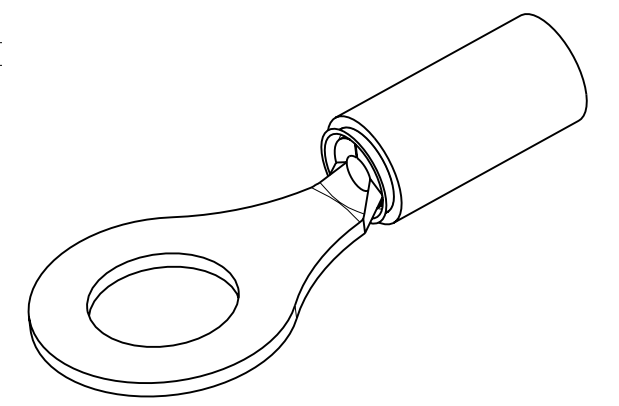
INSULATION  
 SLEEVE

STAMP : AMP 18 16

SERRATIONS

BODY  $0.80 \pm 0.03$  TONGUE  
 THICKNESS

$\phi 6.74 \pm 0.13$   
 FOR 1/4 STUD



SCALE 3:1

B

0.79 MIN

10.72 MIN

$11.91 \pm 0.15$

22.35 MAX

28.38 MAX

WIRE TERMINAL	1577634-1	BODY : COPPER ANNEALED FINISH : NICKEL PLATED
		SLEEVE : COPPER ANNEALED FINISH : NICKEL PLATED
		INSULATION : PEEK COLOR : ORANGE
DESCRIPTION	PART NUMBER	MATERIAL & FINISH

A

THIS DRAWING IS A CONTROLLED DOCUMENT FOR TYCO ELECTRONICS CORPORATION  
 IT IS SUBJECT TO CHANGE AND THE CONTROLLING ENGINEERING ORGANIZATION  
 SHOULD BE CONTACTED FOR THE LATEST REVISION.

DIMENSIONS: mm		TOLERANCES UNLESS OTHERWISE SPECIFIED:		DWN JJ. DESPRETZ 22FEB2006	Tyco Electronics France SAS 95300 Pontoise, France
		0 PLC $\pm$ 1 PLC $\pm 0.3$ 2 PLC $\pm$ 3 PLC $\pm$ 4 PLC $\pm$ ANGLES $\pm 5$		CHK G. ROBERT 22FEB2006	
				APVD Y. PETRONIN 22FEB2006	
MATERIAL SEE TABLE		FINISH SEE TABLE		PRODUCT SPEC 108-15356	
				APPLICATION SPEC 114-15102	SIZE CAGE CODE DRAWING NO RESTRICTED TO
				WEIGHT 1,34 gr	A300779 C-1577634
				CUSTOMER DRAWING	SCALE 6:1 SHEET 1 OF 1 REV C

单击下面可查看定价，库存，交付和生命周期等信息

[>>TE Connectivity\(泰科\)](#)