

THIS DRAWING IS UNPUBLISHED.

RELEASED FOR PUBLICATION

2011

© COPYRIGHT 2011 TE CONNECTIVITY

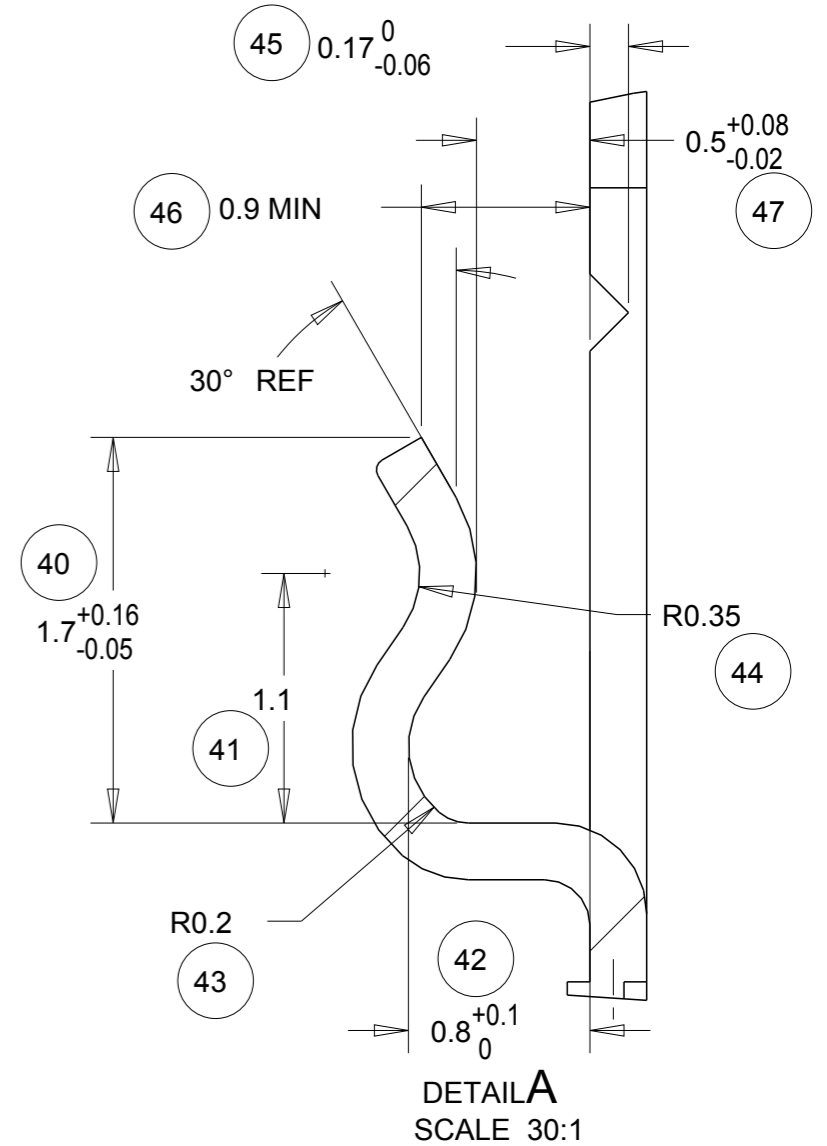
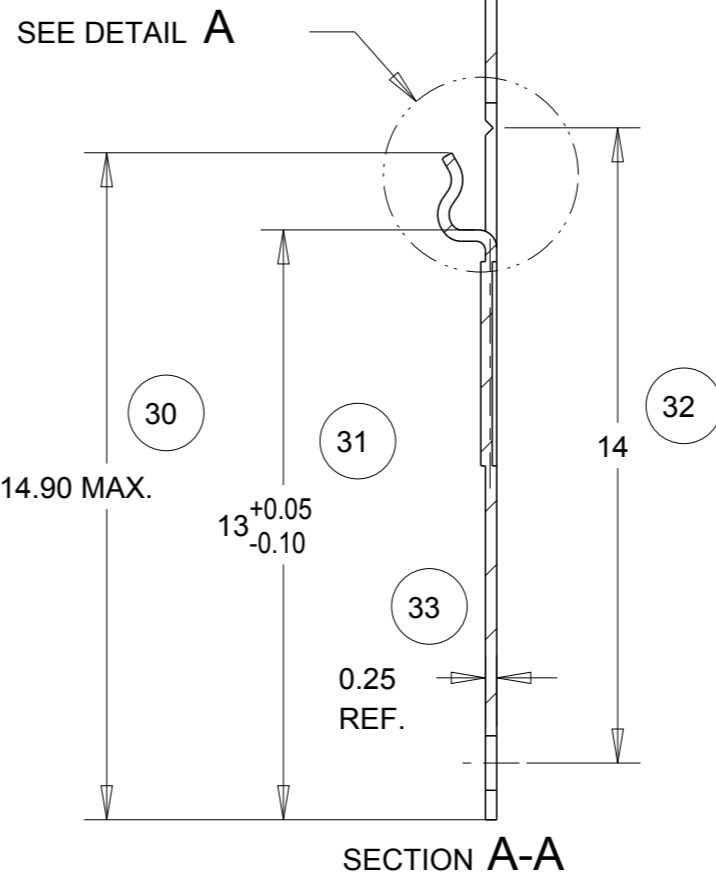
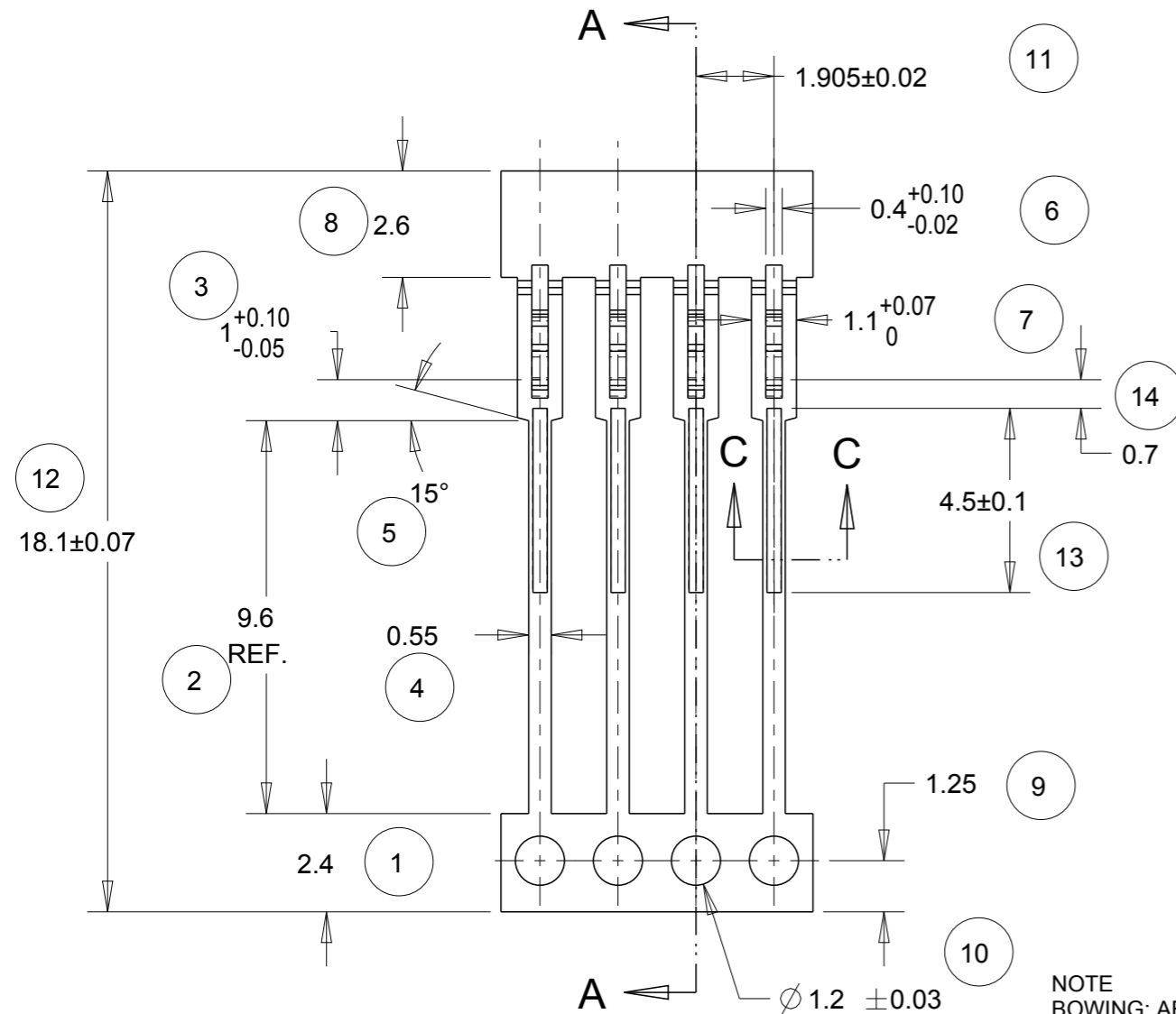
ALL RIGHTS RESERVED.

LOC B

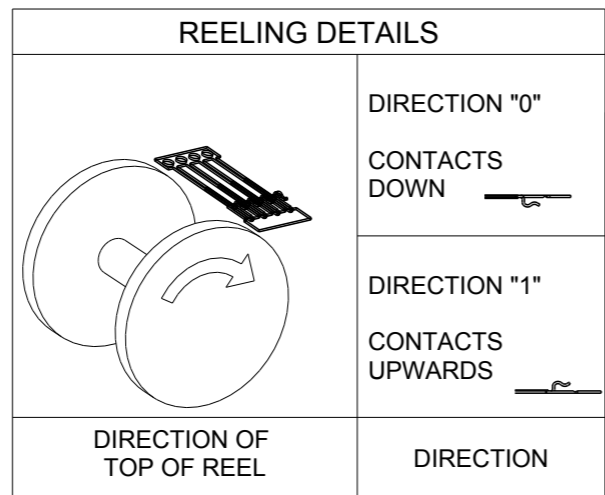
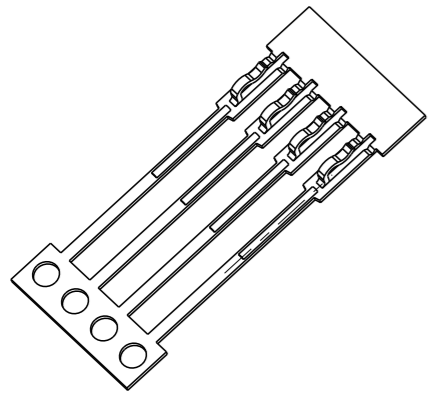
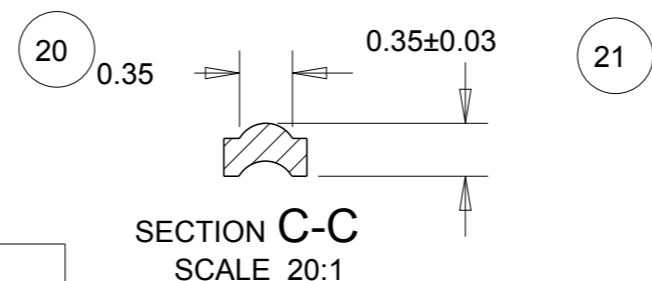
DIST -

REVISIONS

P	LTR	DESCRIPTION	DATE	DWN	APVD
D		ECR-11-014873	13/07/11	JB	MG
E		ECR-11-015626	22/07/11	MJG	JA



NOTE  
BOWING: AFTER UPPER TIE BAR REMOVAL- 1.5mm MAX. FOR 500mm  
PITCH: AFTER UPPER TIE BAR REMOVAL- 1.905±0.1



THIS DRAWING IS A CONTROLLED DOCUMENT.		DWN J.BRIGHT 13/07/11	TE Connectivity <b>SIL CONTACT</b>								
DIMENSIONS: mm		CHK M.GREENER 13/07/11									
TOLERANCES UNLESS OTHERWISE SPECIFIED:		APVD D.PENNINGTON 13/07/11									
0 PLC ±-	1 PLC ±-	PRODUCT SPEC -									
2 PLC ±0.05	3 PLC ±-	APPLICATION SPEC -									
4 PLC ±-	ANGLES ±7	WEIGHT -	<table border="1"> <tr> <td>SIZE</td> <td>CAGE CODE</td> <td>DRAWING NO</td> <td>RESTRICTED TO</td> </tr> <tr> <td>A3</td> <td>00779</td> <td>C-1544191</td> <td>-</td> </tr> </table>	SIZE	CAGE CODE	DRAWING NO	RESTRICTED TO	A3	00779	C-1544191	-
SIZE	CAGE CODE	DRAWING NO	RESTRICTED TO								
A3	00779	C-1544191	-								
MATERIAL SEE TABLE	FINISH -	CUSTOMER DRAWING	<table border="1"> <tr> <td>SCALE</td> <td>SHEET</td> <td>OF</td> <td>REV</td> </tr> <tr> <td>6:1</td> <td>1</td> <td>1</td> <td>E</td> </tr> </table>	SCALE	SHEET	OF	REV	6:1	1	1	E
SCALE	SHEET	OF	REV								
6:1	1	1	E								

0	Ni & Sn	Ph Bz	1544191-2
0	Sn	Ph Bz	1544191-1
REELING	FINISH	MATERIAL	PART NUMBER

单击下面可查看定价，库存，交付和生命周期等信息

[>>TE Connectivity\(泰科\)](#)