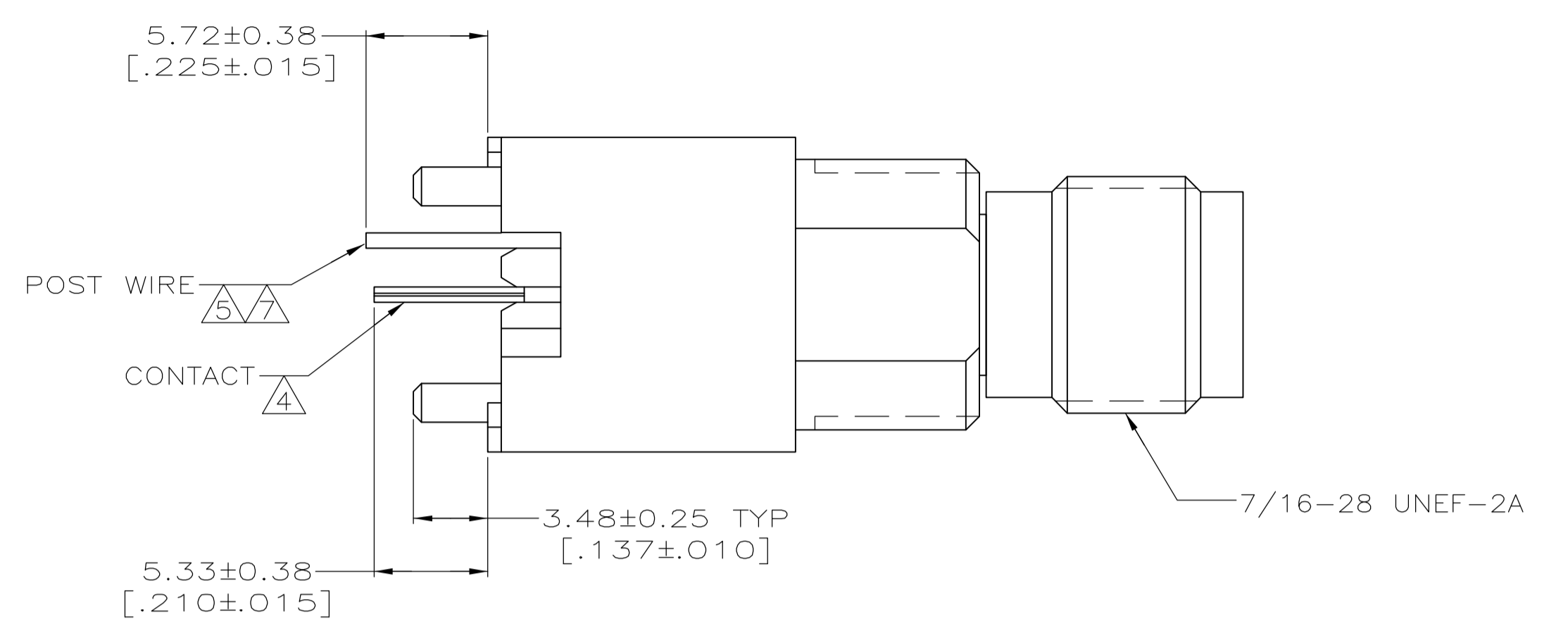
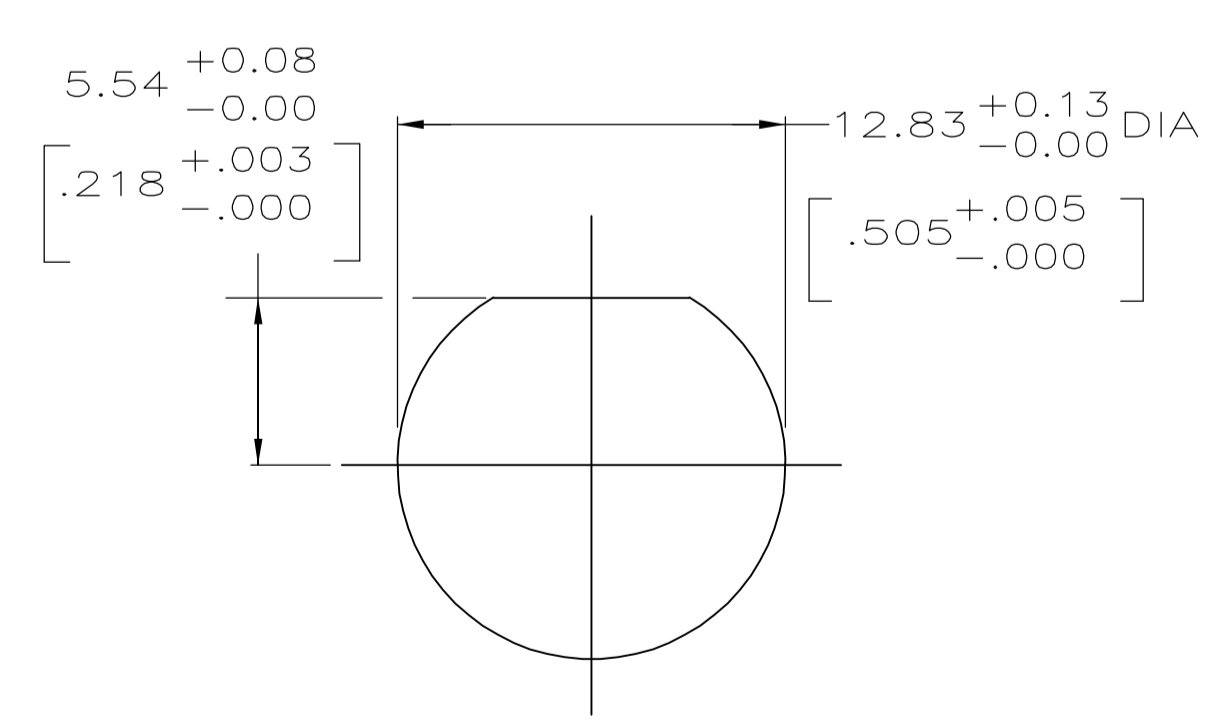
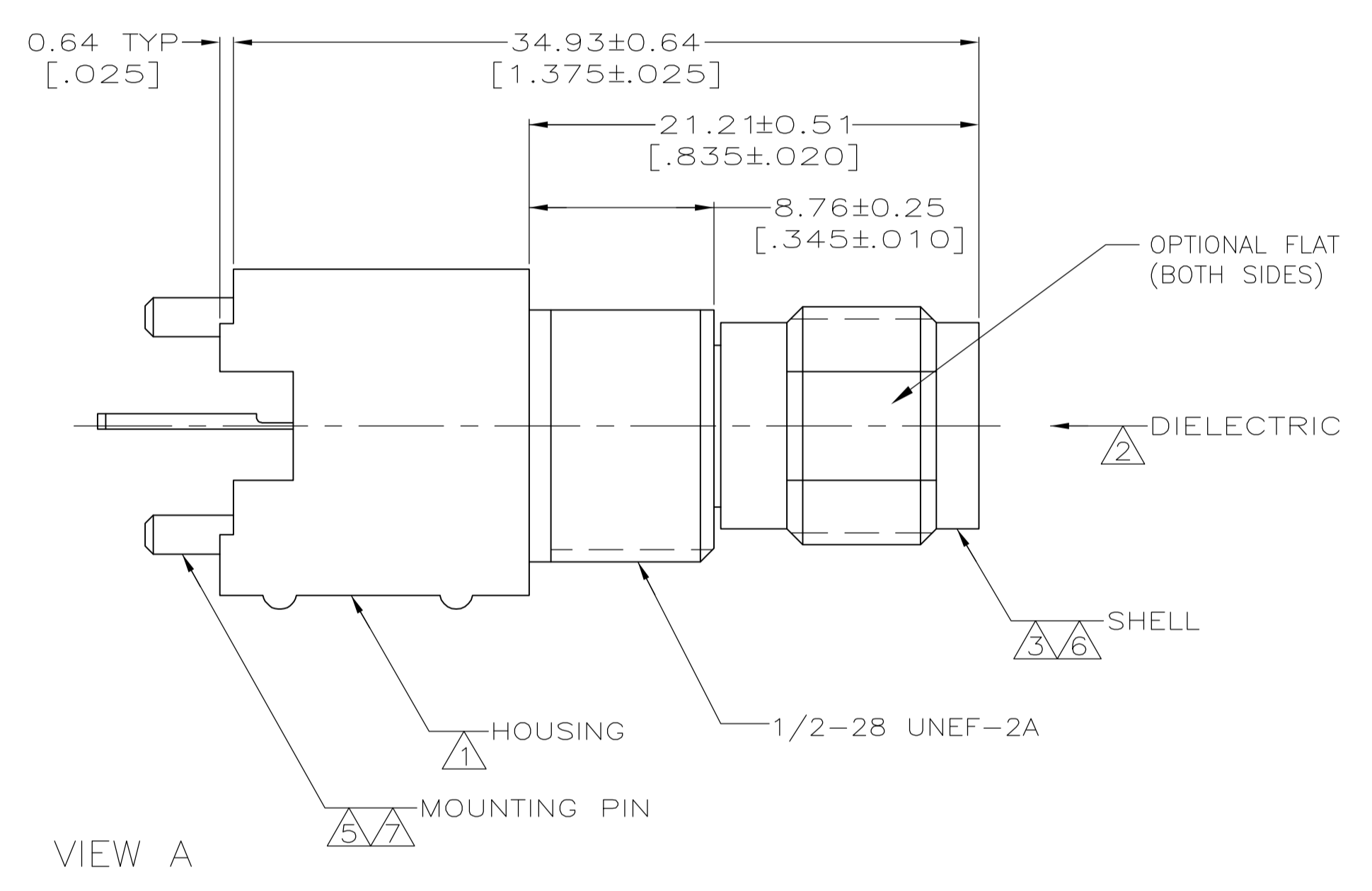
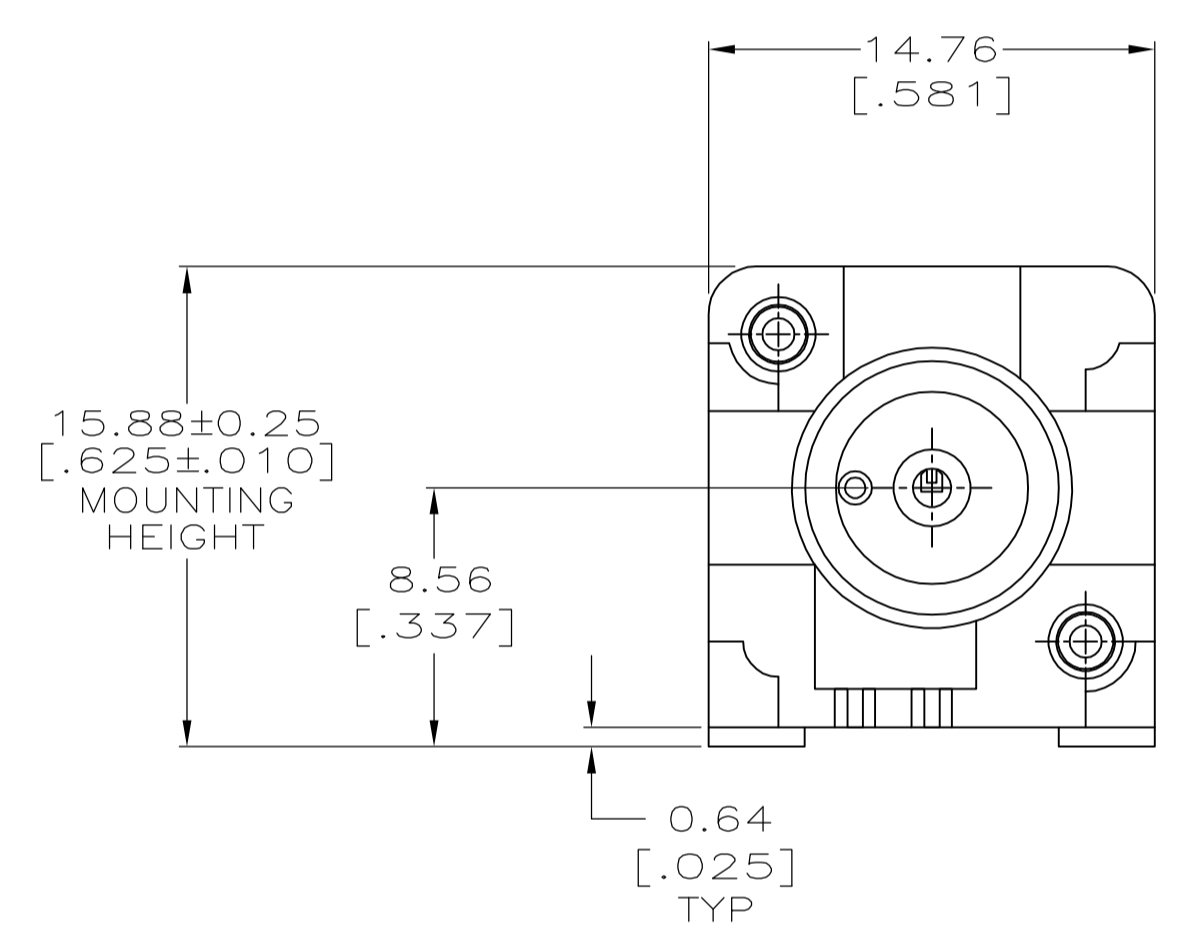


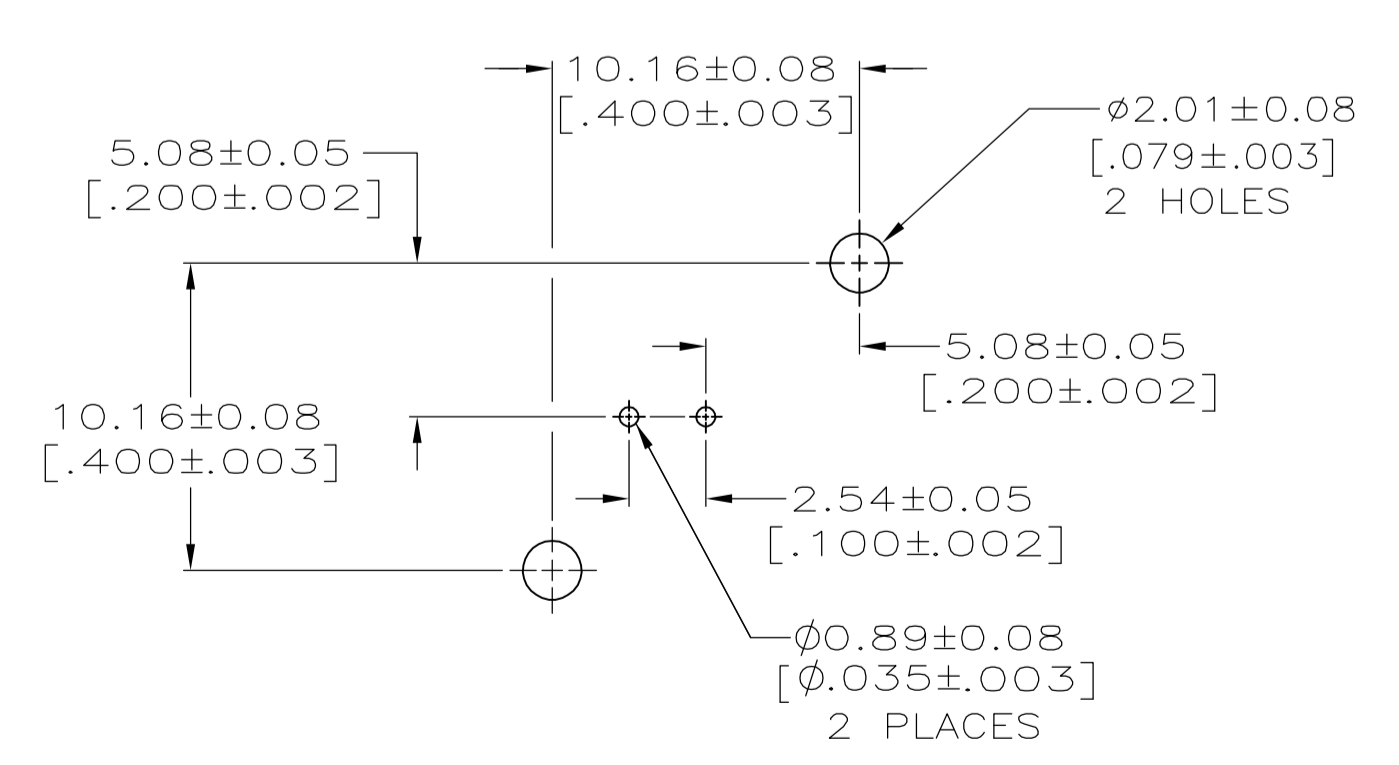
LOC		DIST		REVISONS			
P	LTR	DESCRIPTION	DATE	DWN	APVD		
01		REVISED PER ECO-06-011451	26MAY2006	KS	JL		



- 1 POLYESTER PBT PER MIL-M-24519, TYPE GPT-15F, UL94V-0 RATED, COLOR:NATURAL
- 2 POLYMETHYLPENTENE, GENERAL PURPOSE.
- 3 ZINC PER QQ-Z-363.
- 4 PHOSPHOR BRONZE PER QQ-B-750.
- 5 BRASS PER QQ-B-626.
- 6 NICKEL PLATE PER QQ-N-290, 3.81μm [.000150] MINIMUM THICK.
- 7 TIN PLATE PER ASTM-B-545, 3.81μm [.000150] MINIMUM THICK.
- 8 GOLD PLATE PER MIL-G-45204, 0.76μm [.000030] MINIMUM THICK.



RECOMMENDED PANEL CUTOUT



PCB CONFIGURATION

CONTACT FINISH	A	5227820-1
VIEW		
PART NUMBER		

THIS DRAWING IS A CONTROLLED DOCUMENT.		DIN L VARELA - 21APR2005	Tyco Electronics Corporation	
DIMENSIONS: mm [INCHES]		CHK J. HAVENER - 21APR2005	Harrisburg, Pa 17105-3608	
TOLERANCES UNLESS OTHERWISE SPECIFIED:		APVD J. LIPPERT - 21APR2005	NAME	
0 PLC ± -	1 PLC ± -	PRODUCT SPEC		
2 PLC ± 0.20 [.008]	3 PLC ± -	APPLICATION SPEC		
4 PLC ± -	ANGLES ± -	SIZE CAGE CODE DRAWING NO		
MATERIAL SEE NOTES 1-5	FINISH SEE NOTES 6-8	A1 00779 C=5227820		RESTRICTED TO
CUSTOMER DRAWING		SCALE 4:1	SHEET 1 OF 1	REV 01

单击下面可查看定价，库存，交付和生命周期等信息

[>>TE Connectivity\(泰科\)](#)