

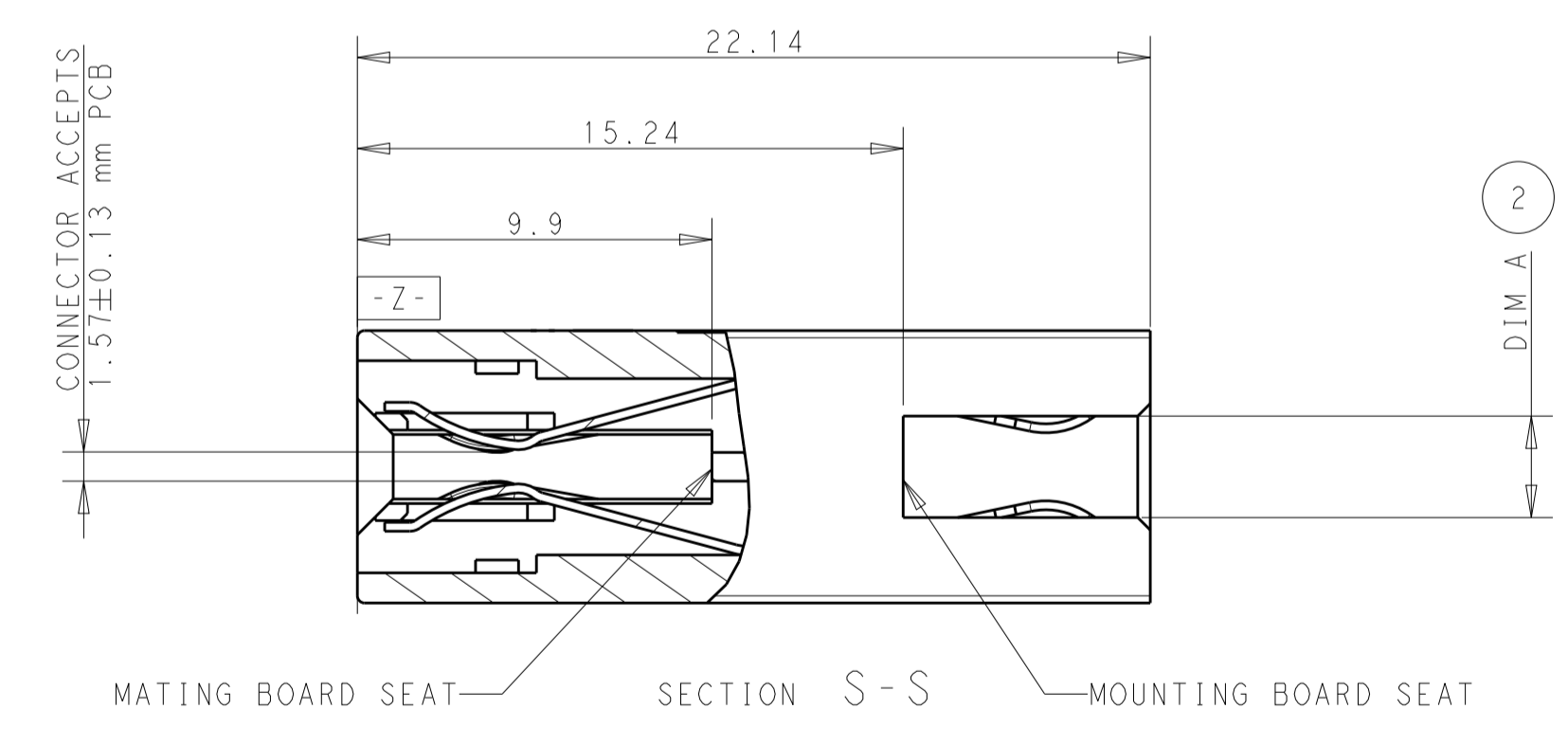
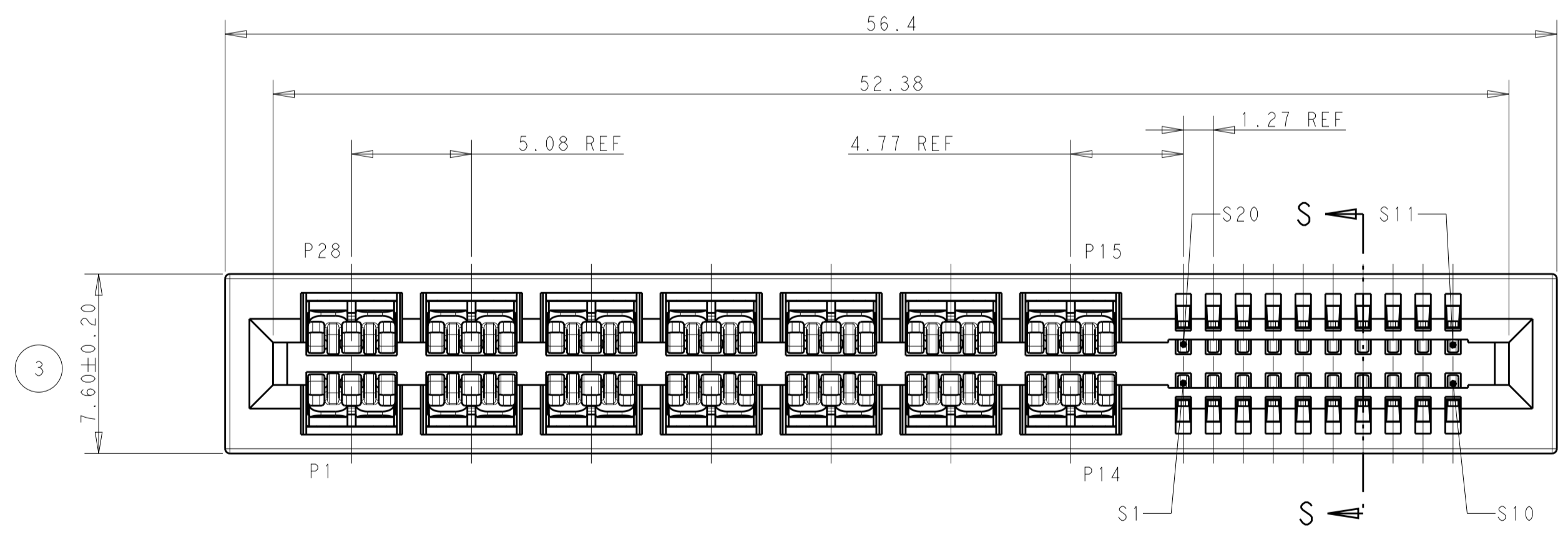
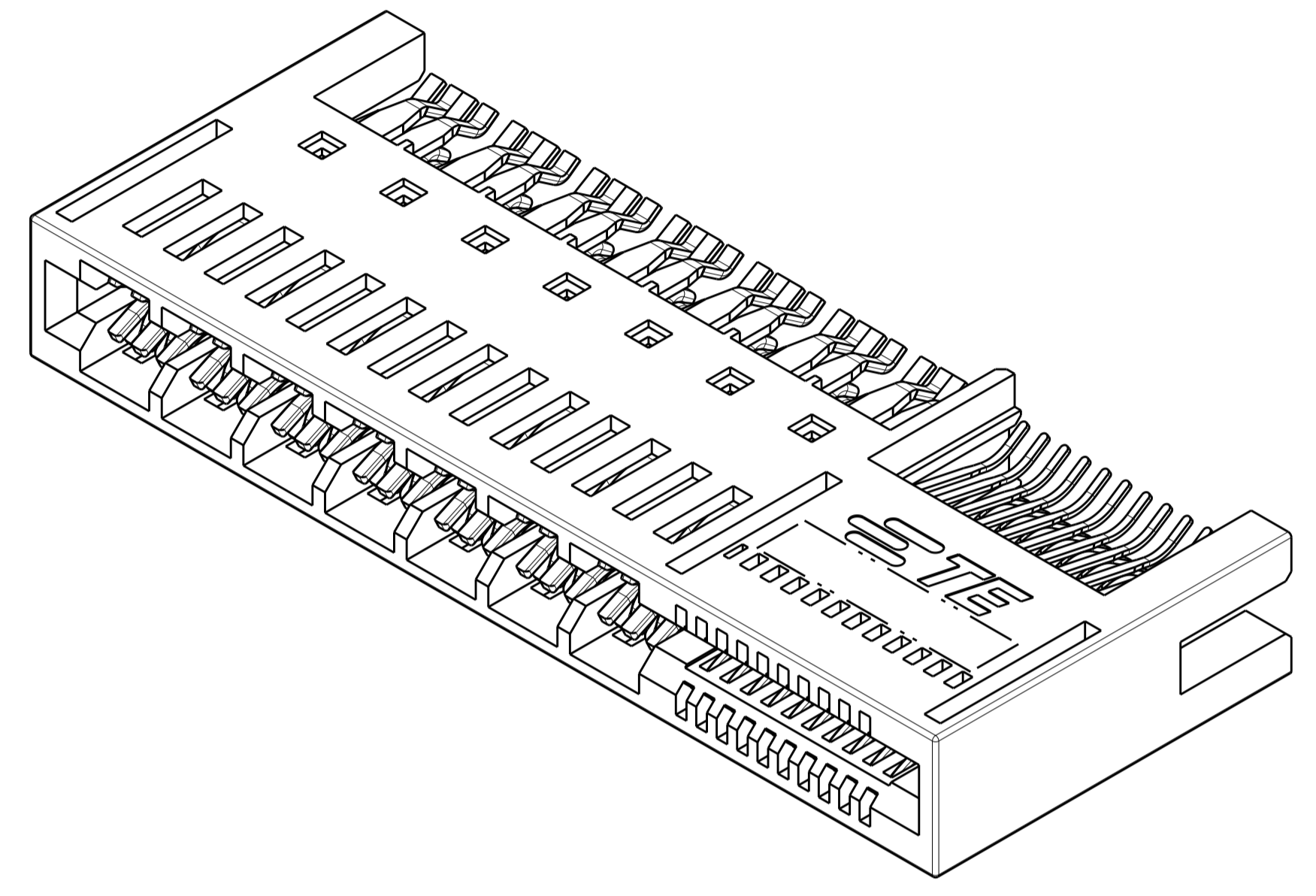
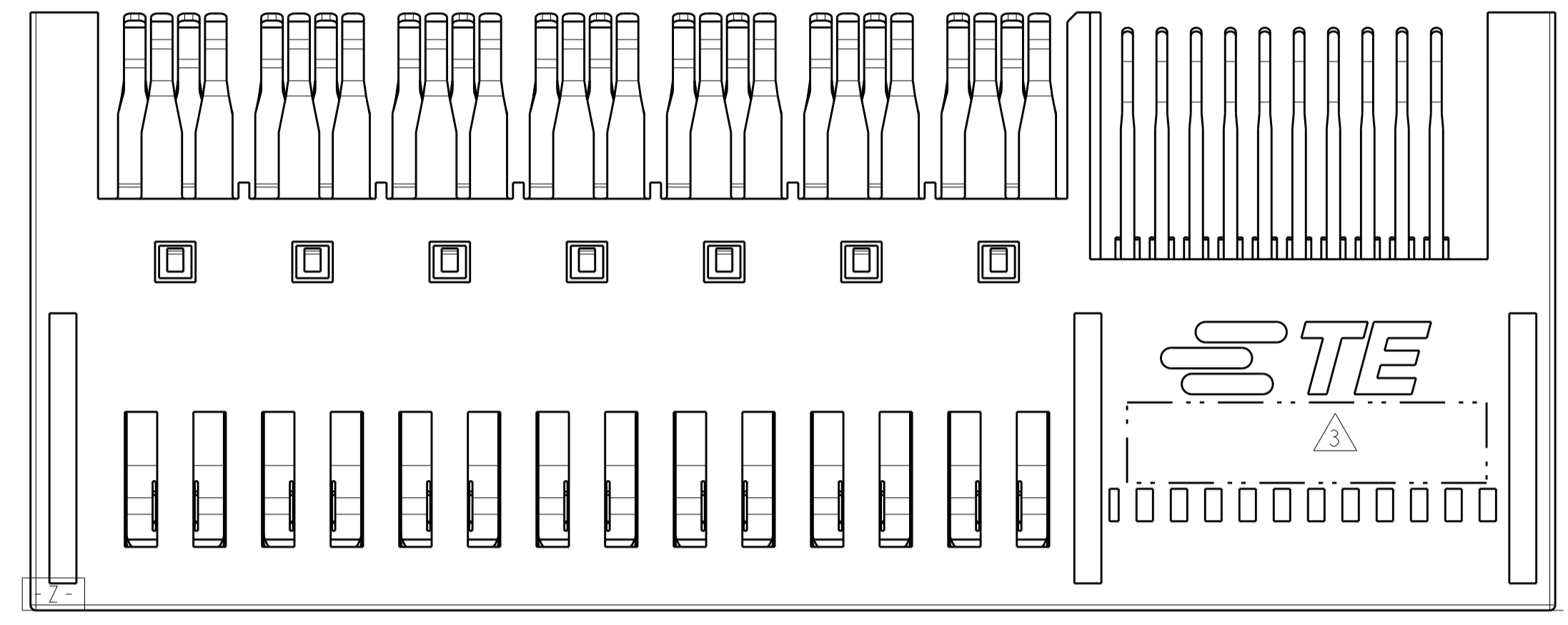
REVISIONS					
P	LTN	DESCRIPTION	DATE	DMN	APVD
A		FIRST RELEASE	23JUN2020	SZ	SZ
A1		RENAME PIN# ASSIGNMENTS PER REQ'	03AUG2020	SZ	SZ

NOTES, UNLESS OTHERWISE SPECIFIED

1. MATERIAL:  
 HOUSING - THERMOPLASTIC, GLASS PREINFORCED, COLOR, BLACK, UL 94V-0  
 CONTACTS - COPPER ALLOY.

2. FINISH:  
 MATING AREA - NOBLE METAL OVERALL NICKEL.  
 SOLDER TAIL - MATTE TIN OVERALL NICKEL.

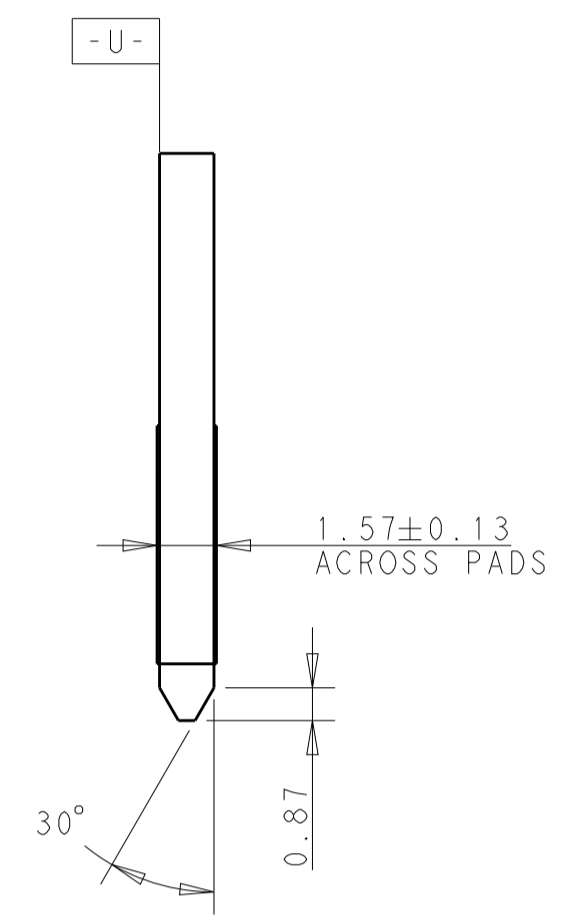
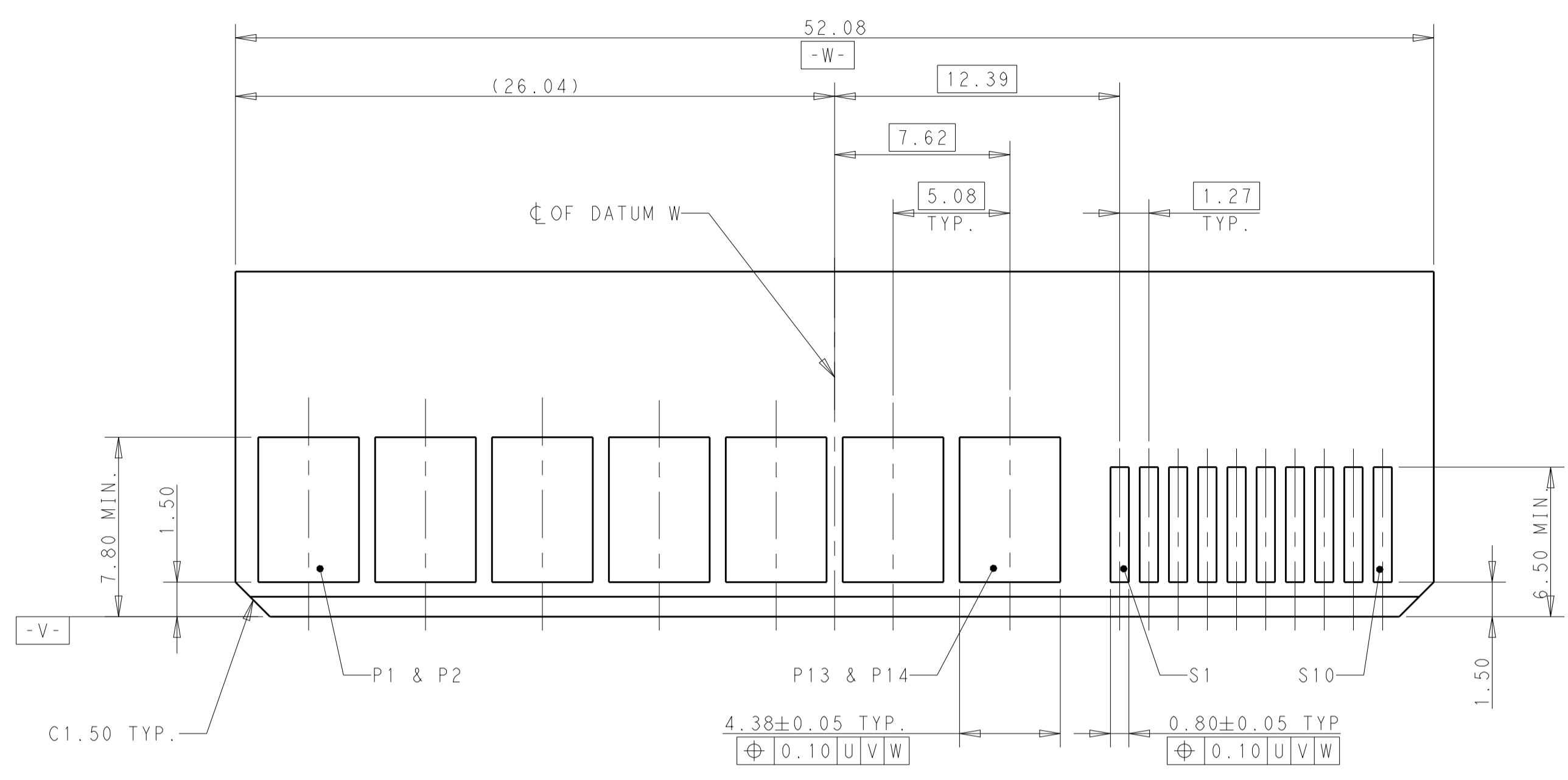
③ MARK P/N AND DATA CODE IN APPROX. AREA AS SHOWN.



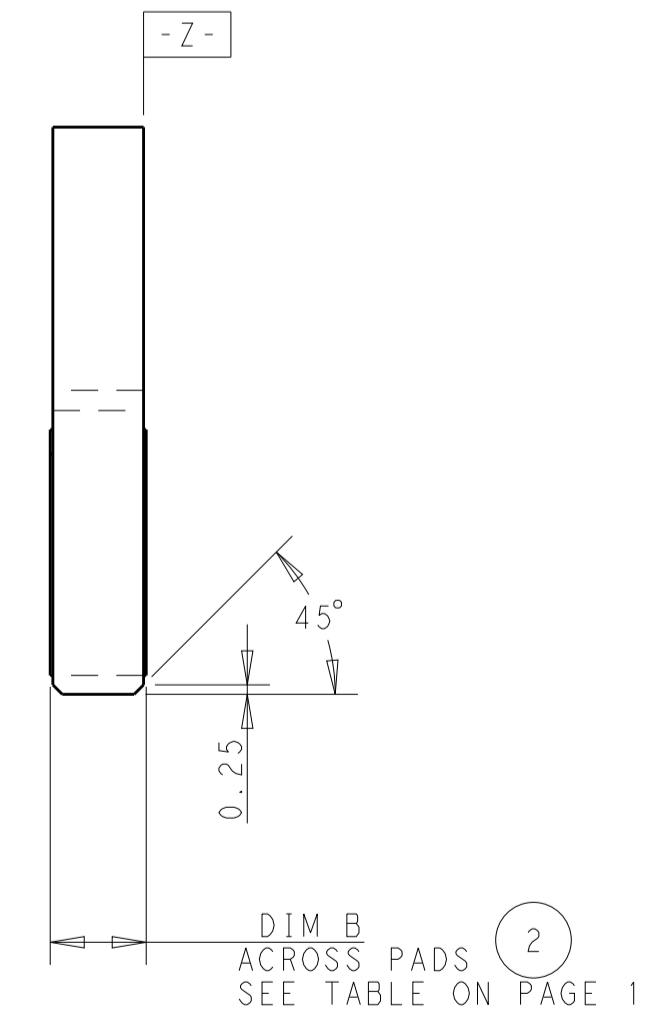
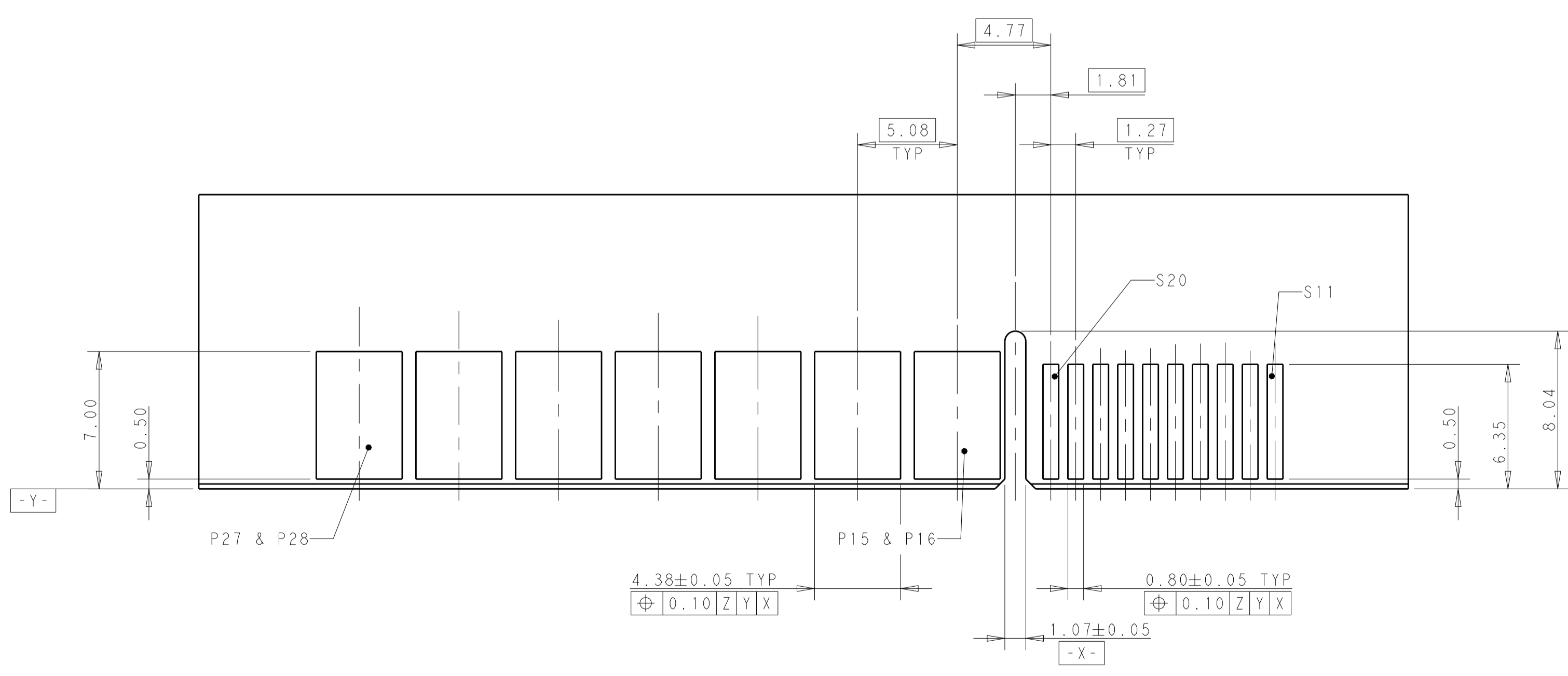
1.93 ± 0.15	2.18	2360558-2
2.54 ± 0.20	2.83	2360558-1
DIM B	DIM A	PART NUMBER
MOUNTING BOARD THICKNESS		

THIS DRAWING IS A CONTROLLED DOCUMENT.		DMN: SEAN ZHANG 29JUL2019	
DIMENSIONS: mm		CHK: SUNLY ZHAO 29JUL2019	
TOLERANCES UNLESS OTHERWISE SPECIFIED:		NAME: HD+ CARD EDGE, 2X7P-2X10S, STRADDLE MOUNT	PRODUCT SPEC: -
0 PLC ±		APPLICATION SPEC: -	SIZE: A1
1 PLC ±0.5		WEIGHT: -	CAGE CODE: -
2 PLC ±0.25		CUSTOMER DRAWING	SCALE: 2:1
3 PLC ±		RESTRICTED TO: -	SHEET 1 OF 2
4 PLC ±			REV: A1
ANGLES ±			
FINISH: -			

REVISIONS				
P.	LTN	DESCRIPTION	DATE	APVD
		SEE SHEET 1		



RECOMMENDED MATING BOARD EDGE CONFIGURATION



RECOMMENDED MOUNTING BOARD EDGE CONFIGURATION

THIS DRAWING IS A CONTROLLED DOCUMENT.		OWN: SEAN ZHANG 29JUL2019	TE Connectivity
DIMENSIONS: mm		CHK: SUNY ZHAO 29JUL2019	
TOLERANCES UNLESS OTHERWISE SPECIFIED:		NAME: HD+ CARD EDGE, 2X7P-2X10S, STRADDLE MOUNT	RESTRICTED TO
0 PLC ± 1 PLC ±0.20 2 PLC ±0.10 3 PLC ± 4 PLC ± ANGLES ±2°		PRODUCT SPEC: TBD	
MATERIAL: TBD		APPLICATION SPEC: TBD	SIZE: A1
FINISH: -		WEIGHT: -	CAGE CODE: C=2360558
CUSTOMER DRAWING		SCALE: 2:1	SHEET 2 OF 2 REV A1

单击下面可查看定价，库存，交付和生命周期等信息

[>>TE Connectivity\(泰科\)](#)