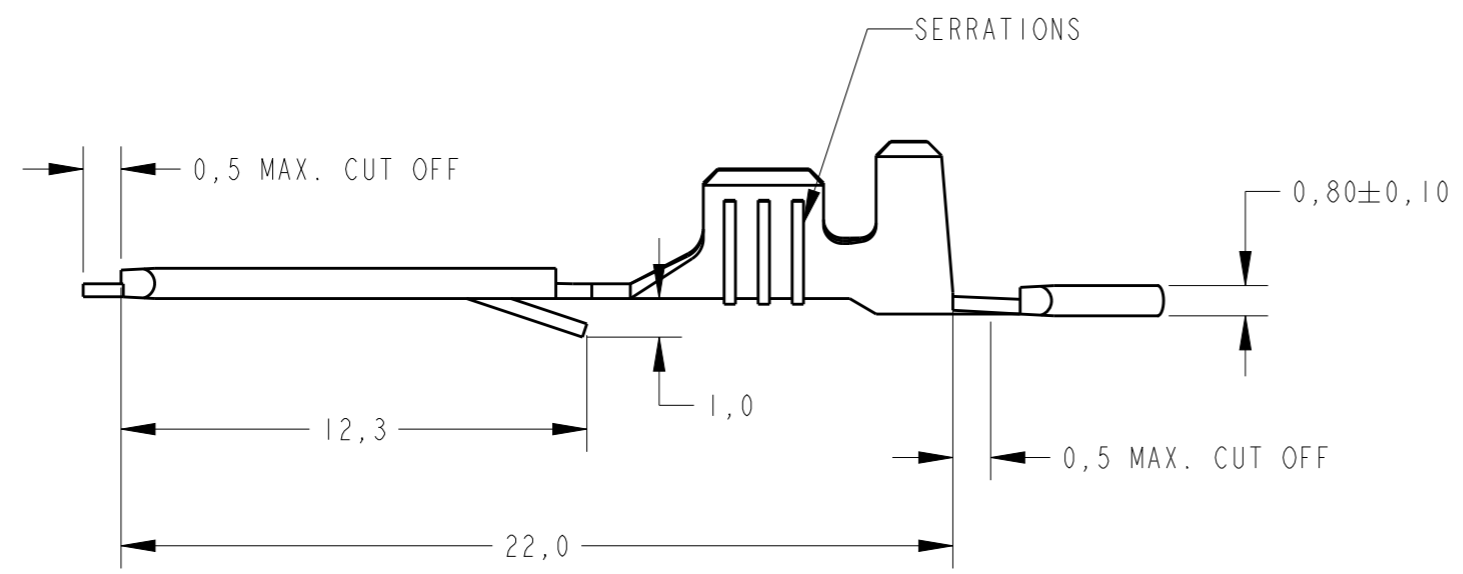
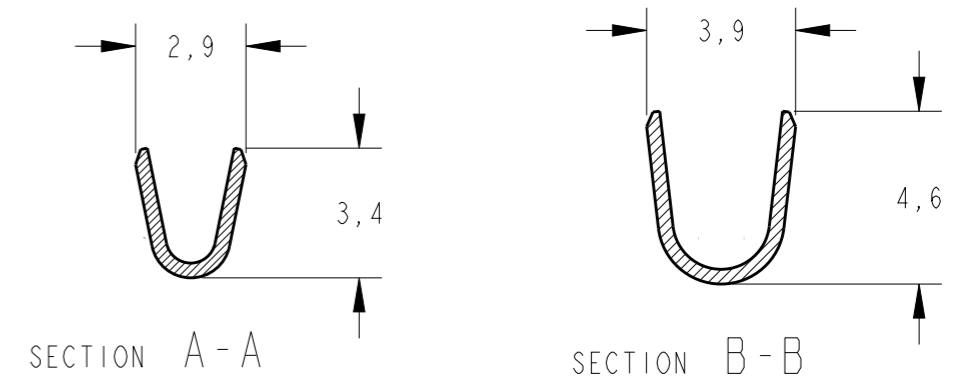
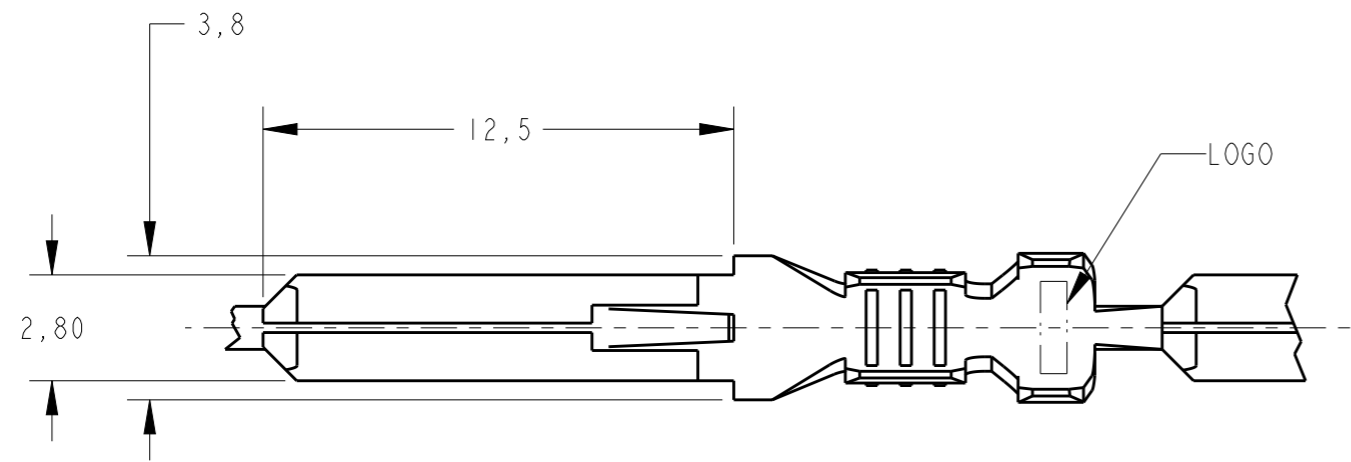


THIS DRAWING IS UNPUBLISHED. RELEASED FOR PUBLICATION 20
 © COPYRIGHT 20 BY - ALL RIGHTS RESERVED.

LOC	DIST	REVISIONS			
P	LTR	DESCRIPTION	DATE	DWN	APVD
AP	-				
	D2	REDRAW ECO 14-013260	30SEP2014	HC	WLS
	D3	REVISED BY ECO 16-005803	28JUN2016	HC	WLS

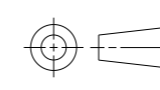


OBSOLETE	TINPLATED	BRASS	160719-4
	UNPLATED		160719-3
OBSOLETE	TINPLATED	PH. BRONZE	160719-2
	UNPLATED		160719-1
	FINISH	MATERIAL	PART NUMBER

THIS DRAWING IS A CONTROLLED DOCUMENT.

WIRE RANGE
0,5-1,43mm²

INS. RANGE
2,3-3,0 DIA.



DIMENSIONS:	TOLERANCES UNLESS OTHERWISE SPECIFIED:
mm	
0 PLC	± -
1 PLC	± 0,3
2 PLC	± -
3 PLC	± -
4 PLC	± -
ANGLES	± 1°
MATERIAL	FINISH
-	-

DWN	30SEP2014	H.C. CANTERI
CHK	30SEP2014	W.L. STEFANI
APVD	-	-
PRODUCT SPEC	108-37015	
APPLICATION SPEC	114-2065	
WEIGHT	-	



NAME			
.110 SRS. FASTIN-FASTON TAB			
SIZE	CAGE CODE	DRAWING NO	RESTRICTED TO
A3	00779	160719	-

Customer Drawing SCALE 4/1 SHEET 1 OF 1 REV D3

单击下面可查看定价，库存，交付和生命周期等信息

[>>TE Connectivity\(泰科\)](#)