

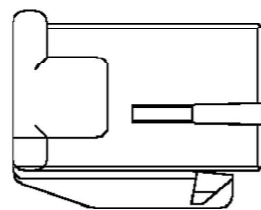
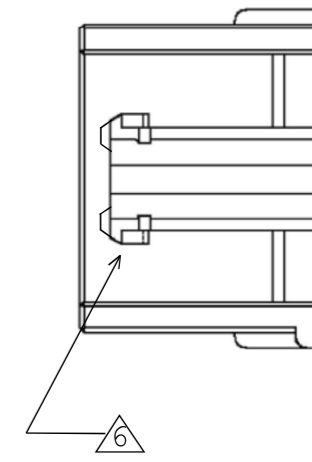
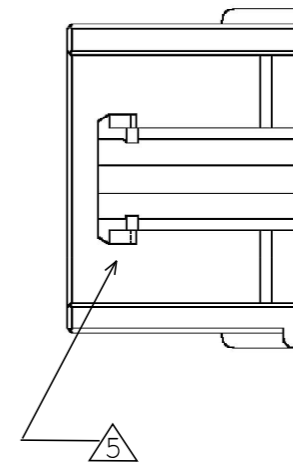
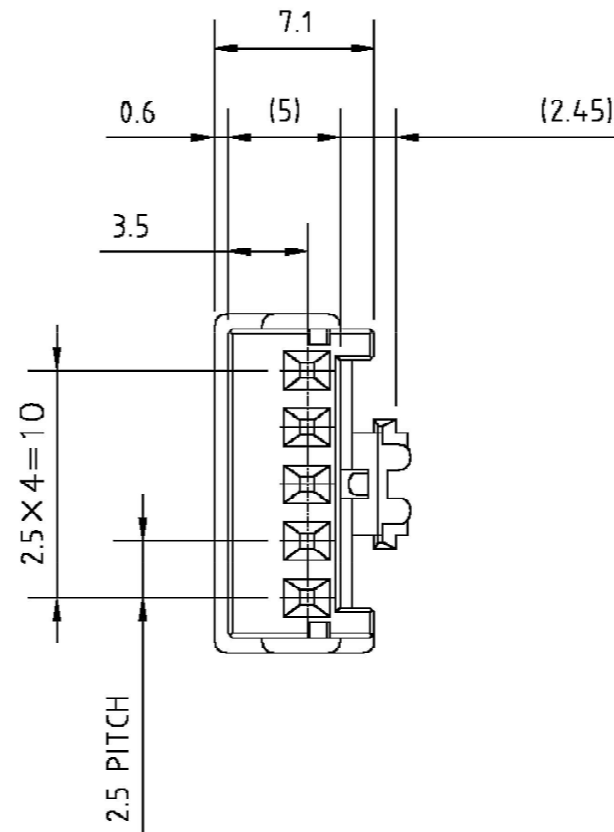
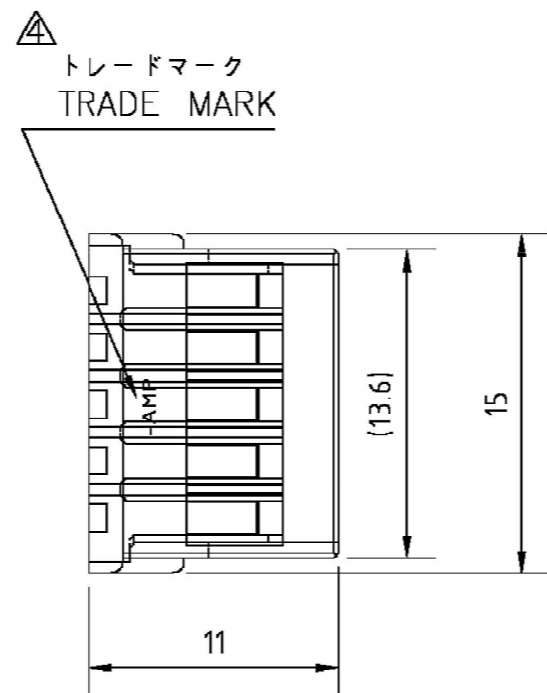
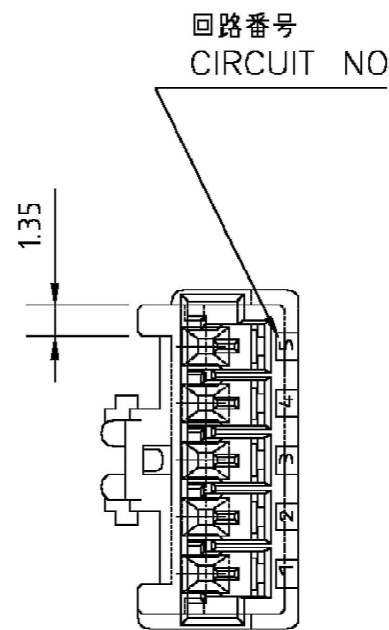
THIS DRAWING IS UNPUBLISHED.

RELEASED FOR PUBLICATION

© COPYRIGHT

ALL RIGHTS RESERVED.

LOC	DIST	REVISIONS 変更					
J	-	P	LTR	DESCRIPTION	DATE	DWN	APVD
		E		REVISED PER ECR-20-100231	16JUL20	MM	DZ



注記;

- ① 材料; 66ナイロン (UL94V-0)
- ② 製品規格; 108-5459
- ③ 取付適用規格; 114-5203
- ④ 表1参照
- 5. 取扱説明書; 411-5771


NOTES;

- ① MATERIAL; 66 NYLON (UL94V-0)
- ② PRODUCT SPEC; 108-5459-8
- ③ APPLICATION SPEC; 114-5203
- ④ SEE TABLE 1
- 5. INSTRUCTION SHEET; 411-5771
- 6. PART 5-917689-1 COMPLY WITH GLOW WIRE REQUIREMENT FOR PARTS OF NON-METALLIC MATERIAL SUPPORTING A CURRENT CARRYING CONNECTION DETAILED IN IEC 60335-1, SECTION 30(GWT)

表1
TABLE 1

トレードマーク TRADE MARK	生産場所 MANUFACTURING PLACE
-AMP OR AMP	日本 JAPAN
-+AMP OR AMP	中国 CHINA(PRC)

⑤	自然色 NATURAL	5-917689-1	5
⑥	青 BLUE	917689-6	5
⑥	赤 RED	917689-2	5
⑥	自然色 NATURAL	917689-1	5
	色調 COLOR	型番 PART NO.	極数 POS.

THIS DRAWING IS A CONTROLLED DOCUMENT.		DWN Y.NOGUCHI 12MAY95	 TE Connectivity	
DIMENSIONS: 単位 MM		CHK Y.KASHIWA 12MAY95		
TOLERANCES UNLESS OTHERWISE SPECIFIED: 一般公差		APVD Y.KASHIWA 12MAY95	NAME 名称	
10 ≥ : ±0.2 30 ≥ > 10 : ±0.25 100 ≥ > 30 : ±0.3		PRODUCT SPEC 製品規格 ④ SEE NOTE	2.5mm シグナルダブルロック 5極 プラグハウジング 2.5mm SIGNAL DBL-LOCK 5P PLUG HOUSING	
ANGLES ±0.3°		APPLICATION SPEC 取付適用規格 ④ SEE NOTE	SIZE	CAGE CODE
FINISH 仕上		WEIGHT	A3	00779
MATERIAL 材料 ④ SEE NOTE		DRAWING NO 番号 C-917689		RESTRICTED TO
		CUSTOMER DRAWING		SCALE 尺度 3-1
		SHEET 1 OF 1		REV E

单击下面可查看定价，库存，交付和生命周期等信息

[>>TE Connectivity\(泰科\)](#)