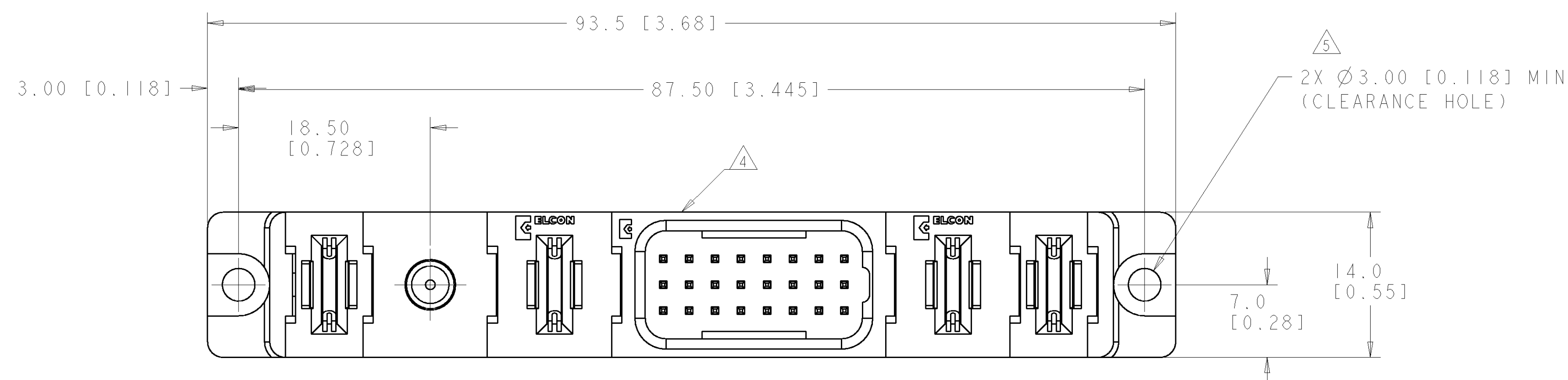


LOC	DIST	REVISIONS			
P	LTR	DESCRIPTION	DATE	DWN	APVD
A		RELEASED	23FEB2007	RG	PD



1. PART NUMBER CHANGES AND OR DESIGN CHANGES AFFECTING ITEM INTERCHANGEABILITY REQUIRE PRIOR TYCO APPROVAL AND AUTHORIZATION BY REVISION TO THIS DRAWING.

2. MATERIAL:
 INSULATORS - THERMOPLASTIC, GLASS REINFORCED, COLOR: BLACK, UL94V-0 FLAMMABILITY RATED.
 CROWN BANDS - PHOSPHOR BRONZE COPPER ALLOY
 POWER CONTACTS - COPPER ALLOY
 SIGNAL CONTACTS - PHOSPHOR BRONZE
 GUIDE PIN - BRASS ALLOY

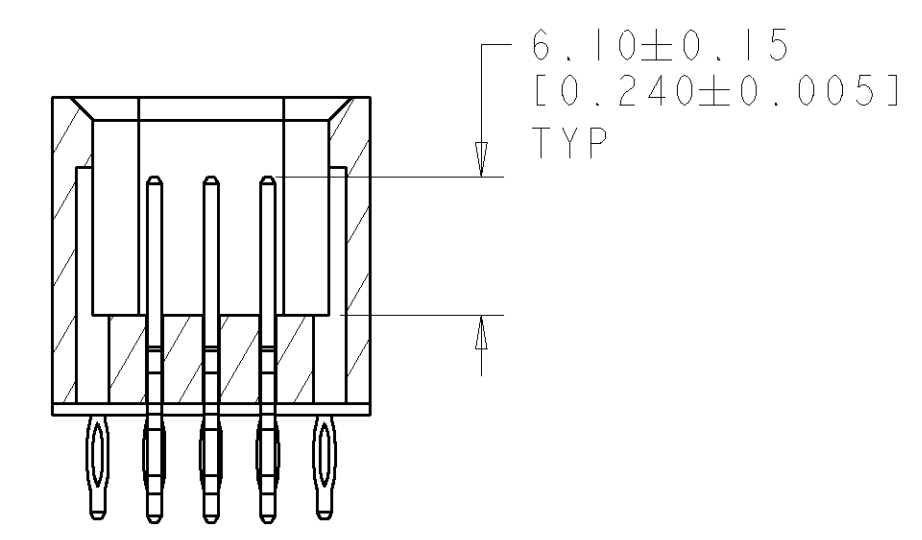
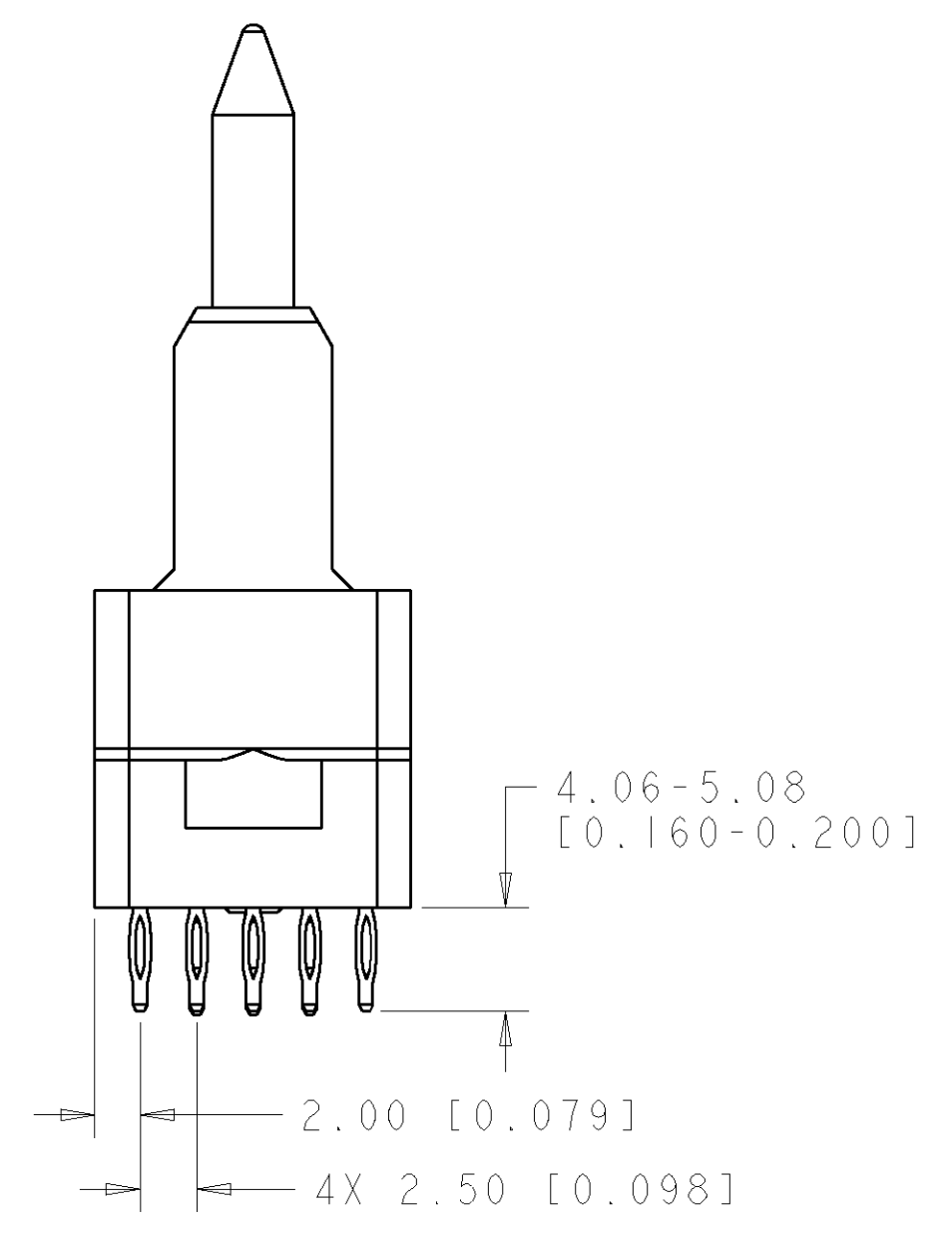
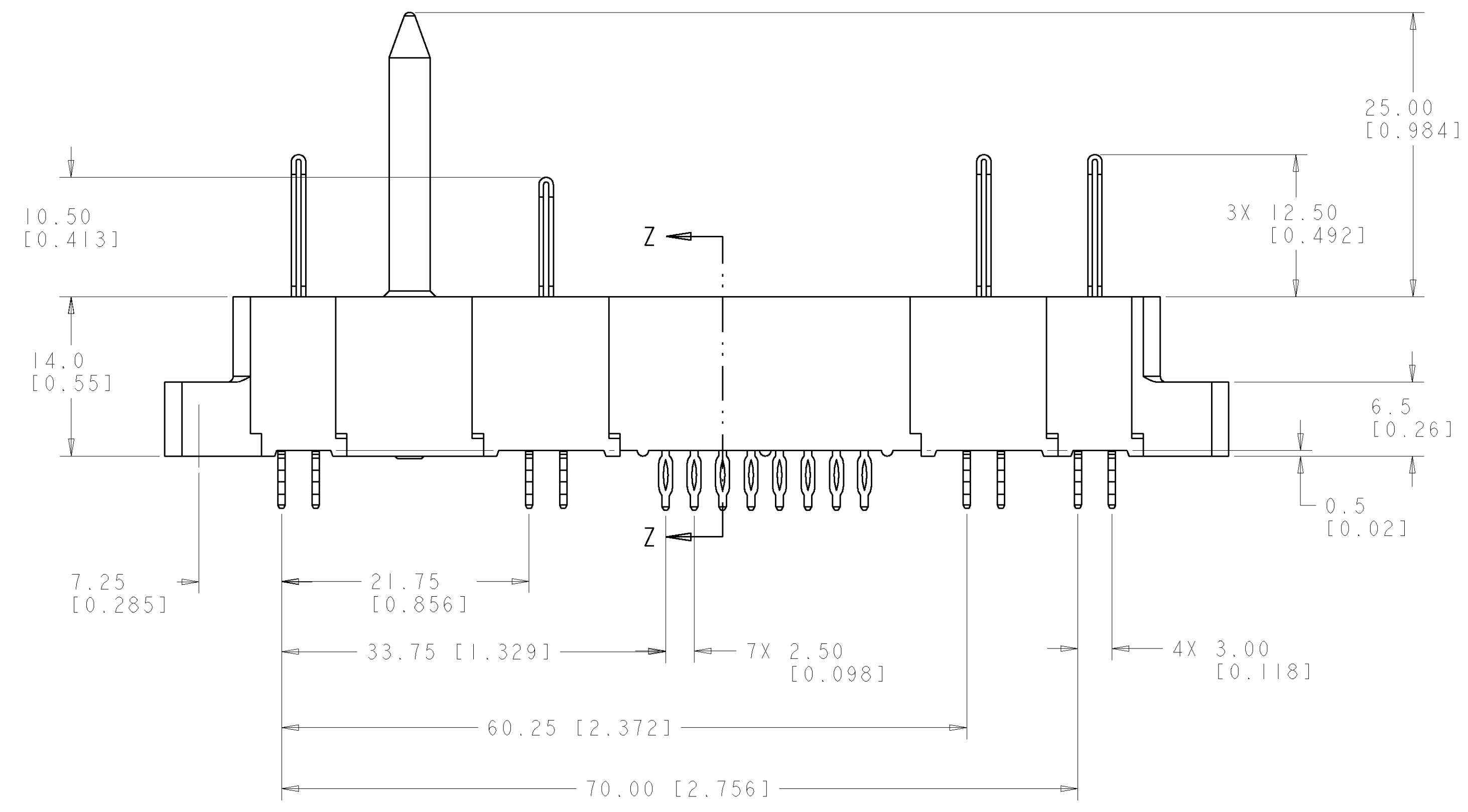
3. FINISH:
 CONTACTS - GOLD PLATE .76µm MIN. THK., OVER NICKEL 1.27µm MIN. THK.
 COMPLIANT TAILS, MATTE TIN 1.02 MIN. THK. OVER NICKEL 1.27µm MIN THK.
 GUIDE PIN - NICKEL 1.27µm MIN THK.

ITEMS PROVIDED TO THIS SPECIFICATION TO BE PERMANENTLY IDENTIFIED PER THE FOLLOWING IDENTIFIER LABEL

YEAR 1 WEEK 1

TYCO PART NO. XXXXXXXX-X DATE CODE (e.g. 0106) XXXX

5 MOUNTING FLANGES ACCEPT M3 OR #4-40 SCREWS (USER SUPPLIED)

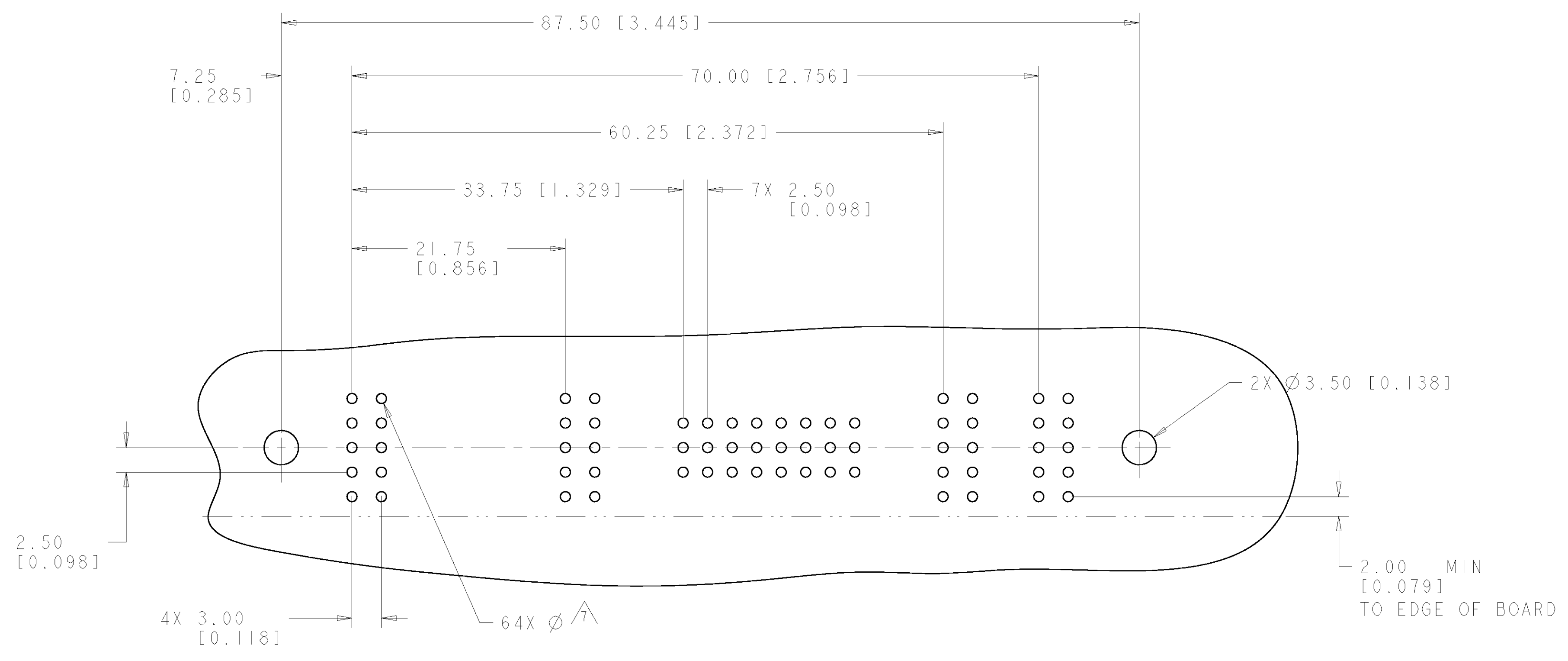


SECTION Z-Z
 GENDER CHANGER BLADE
 REMOVED FOR
 CLARITY

ELCON FLATPAQ

AS SHOWN		1926410-1	
DESCRIPTION		PART NUMBER	
<small>THIS DRAWING IS UNPUBLISHED. RELEASED FOR PUBLICATION BY TYCO ELECTRONICS CORPORATION. ALL RIGHTS RESERVED.</small> DIMENSIONS: mm [INCHES] TOLERANCES UNLESS OTHERWISE SPECIFIED: 0 PLC ±.3 [0.012] 1 PLC ±.3 [0.012] 2 PLC ±.3 [0.012] 3 PLC ±.15 [0.006] 4 PLC ±.15 [0.006] ANGLES ±.5 FINISH - MATERIAL - WEIGHT - CUSTOMER DRAWING		DWN: R. GRZYBOWSKI 15FEB2007 CHK: P. DAMATO 15FEB2007 APVD: S. FLICKINGER 15FEB2007 NAME: S. FLICKINGER PRODUCT SPEC: - APPLICATION SPEC: - SIZE: A 00779 C=1926410 SCALE: 3:1 SHEET 1 OF 3 REV A	
tyco Electronics Tyco Electronics Harrisburg, PA 17105-3608		CONNECTOR PIN ASSEMBLY, STRAIGHT, COMPLIANT TAIL FLATPAQ	

LOC	DIST	P	LTR	DESCRIPTION	DATE	DWN	APVD
GP	00	-	-	SEE SHEET 1	-	-	-

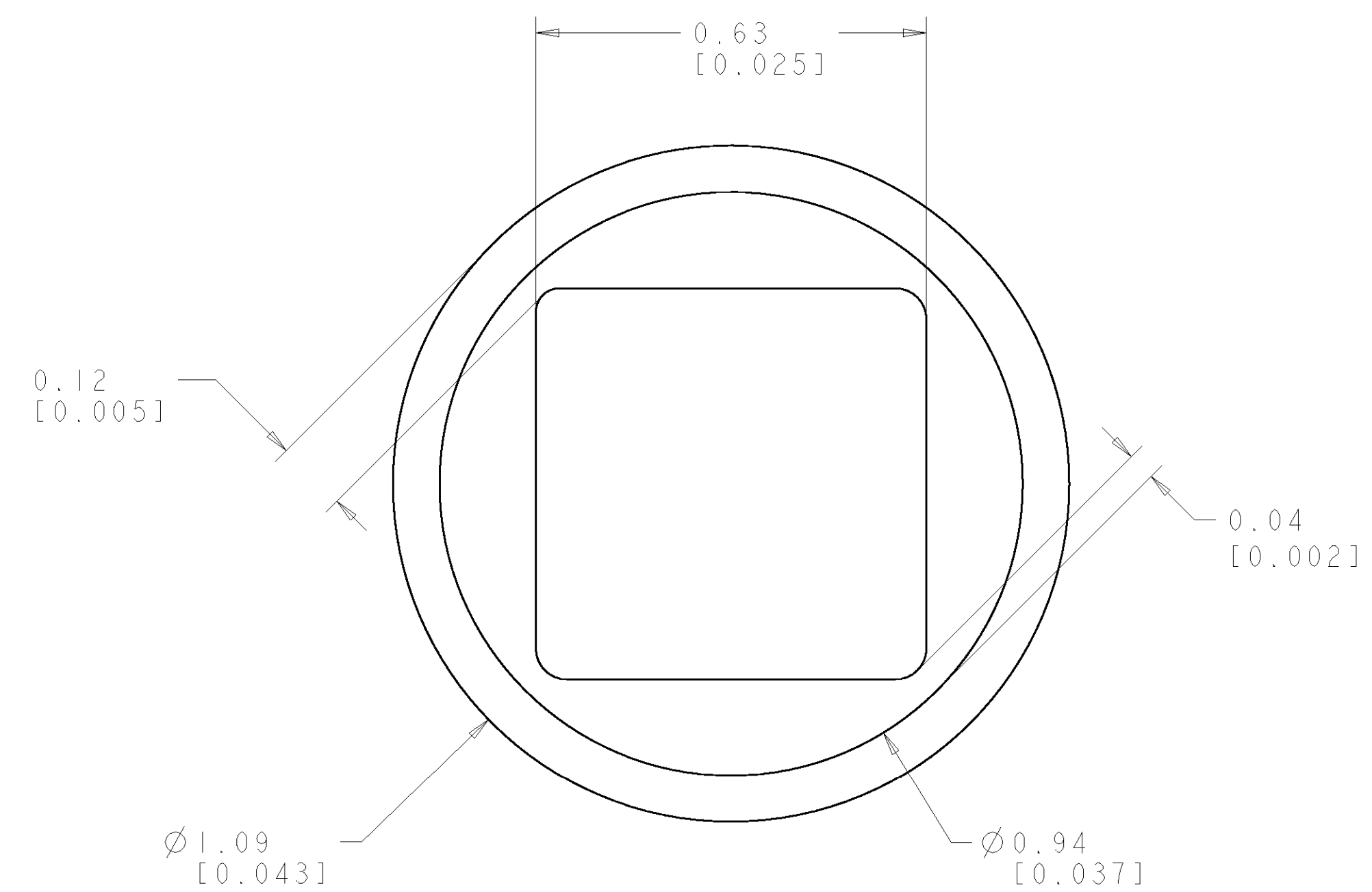
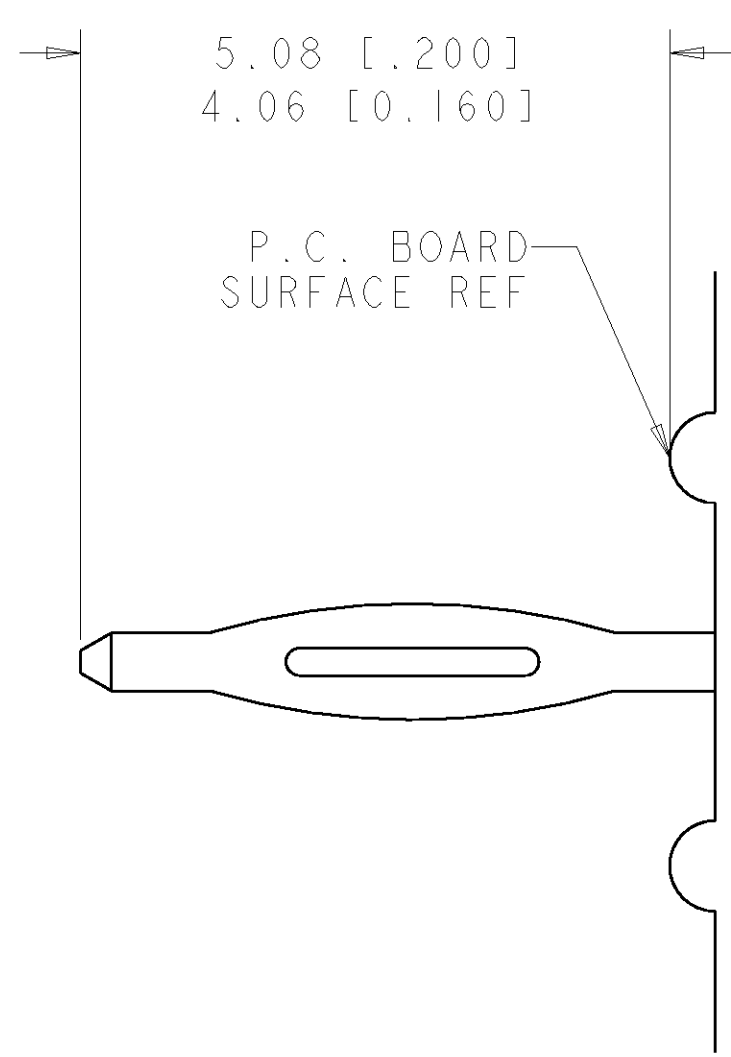


PRINTED CIRCUIT LAYOUT
 COMPONENT SIDE

CONNECTOR	CATALOG MODULE #	QTY	SIZE NO.	CONTACT QTY	MATING PIN	MAX. CURRENT (PER CONTACT)	CONTACT SPACING	VOLTAGE RATING	
PIN	FP218	1	8	2	1.25 X 7.00 [.049 X .276]	35 amps	7.50 [.2953]	600	
	FP217	1	8	2	1.25 X 7.00 [.049 X .276]	35 amps	7.50 [.2953]	600	
	FP202	1	8	2	1.25 X 7.00 [.049 X .276]	35 amps	7.50 [.2953]	250	
	FP400	1	22	24	.64 [.025] SQ.	3 amps	2.50 [.0984]	125	
	FP503	1	STRAIGHT GUIDE PIN						
	FP500	1	LEFT MOUNTING FLANGE						
	FP501	1	RIGHT MOUNTING FLANGE						

DIMENSIONS: mm [INCHES] TOLERANCES UNLESS OTHERWISE SPECIFIED: 0 PLC ±.3 [.012] 1 PLC ±.3 [.012] 2 PLC ±.15 [.006] 3 PLC ±. 4 PLC ±. ANGLES ±.5		DWN R. GRZYBOWSKI 15FEB2007 ENR P. DAMATO 15FEB2007 APVD S. FLICKINGER 15FEB2007		tyco Electronics Tyco Electronics Harrisburg, PA 17105-3608	
MATERIAL: - FINISH: -		WEIGHT: - CUSTOMER DRAWING		NAME: CONNECTOR PIN ASSEMBLY, STRAIGHT, COMPLIANT TAIL FLATPAQ SIZE: A 00779 C=1926410 SCALE: 3:1 SHEET 2 OF 3 REV A	

LOC	DIST	REVISIONS					
GP	00	P.	LTR	DESCRIPTION	DATE	DWN	APVD
		-		SEE SHEET 1	-	-	-



6. COMPLIANT PIN DETAIL
 SCALE 10 : 1
 INSERTION/EXTRACTION FORCES
 MAXIMUM PUSH IN: 133.3N PER PIN
 [30 LBS]
 MINIMUM PUSH OU: 44.4N PER PIN
 [10 LBS]

△ SOLDER TERMINATION AREA
 SCALE 40:1
 RECOMMENDED PRINTED CIRCUIT HOLE
 COMPLIANT PRESS FIT
 DRILLED HOLE: Ø1.15 [.0453] ±.013 [.0005]
 COPPER PLATE: .025 [.0010] MIN
 TIN PLATE: .008 [.0003] MIN. (PER SURFACE)

<small>THIS DRAWING IS UNPUBLISHED. RELEASED FOR PUBLICATION. ALL RIGHTS RESERVED. THIS DRAWING IS THE PROPERTY OF TYCO ELECTRONICS CORPORATION. IT IS TO BE USED ONLY FOR THE PURPOSES AND ORGANIZATION SPECIFIED HEREIN. NO PARTS OF THIS DRAWING ARE TO BE REPRODUCED OR TRANSMITTED IN ANY FORM OR BY ANY MEANS, ELECTRONIC OR MECHANICAL, WITHOUT PERMISSION IN WRITING FROM TYCO ELECTRONICS CORPORATION.</small>		DWN R. GRZYBOWSKI 15FEB2007 CHK P. DAMATO 15FEB2007 APVD S. FLICKINGER 15FEB2007	tyco Electronics Tyco Electronics Harrisburg, PA 17105-3608
DIMENSIONS: mm [INCHES]	TOLERANCES UNLESS OTHERWISE SPECIFIED: 0 PLC ±. 1 PLC ±.3 [.012] 2 PLC ±.15 [.006] 3 PLC ±. 4 PLC ±. ANGLES ±.5 FINISH	NAME S. FLICKINGER PRODUCT SPEC APPLICATION SPEC WEIGHT CUSTOMER DRAWING	NAME CONNECTOR PIN ASSEMBLY, STRAIGHT, COMPLIANT TAIL FLATPAQ SIZE CAGE CODE DRAWING NO A100779C=1926410 RESTRICTED TO SCALE 3:1 SHEET 3 OF 3 REV A

单击下面可查看定价，库存，交付和生命周期等信息

[>>TE Connectivity\(泰科\)](#)