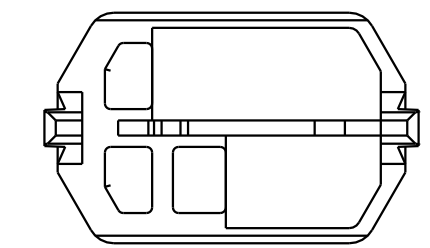
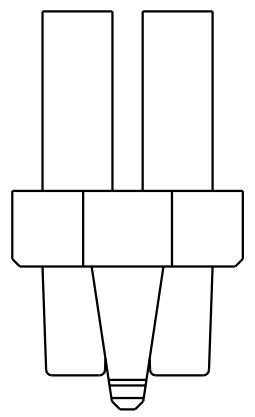
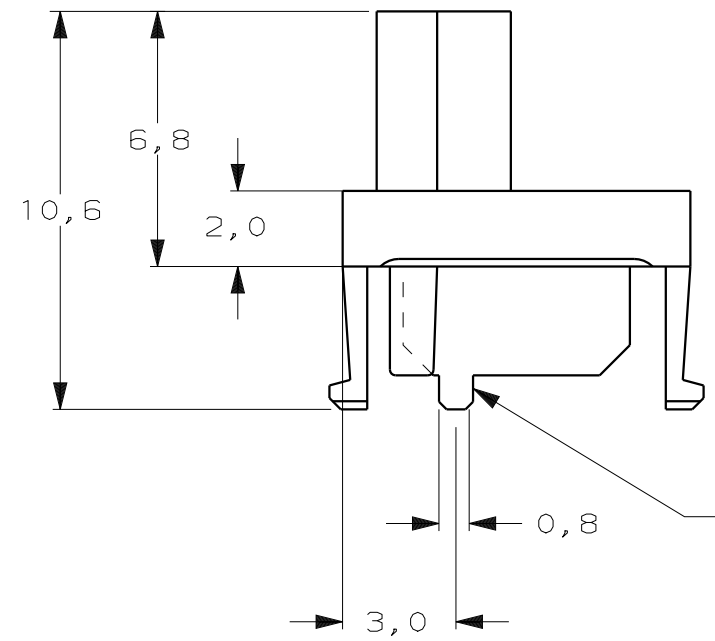
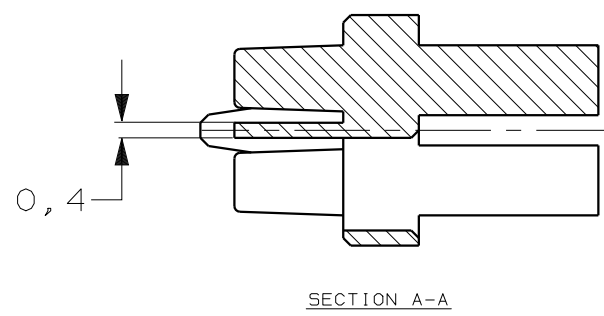
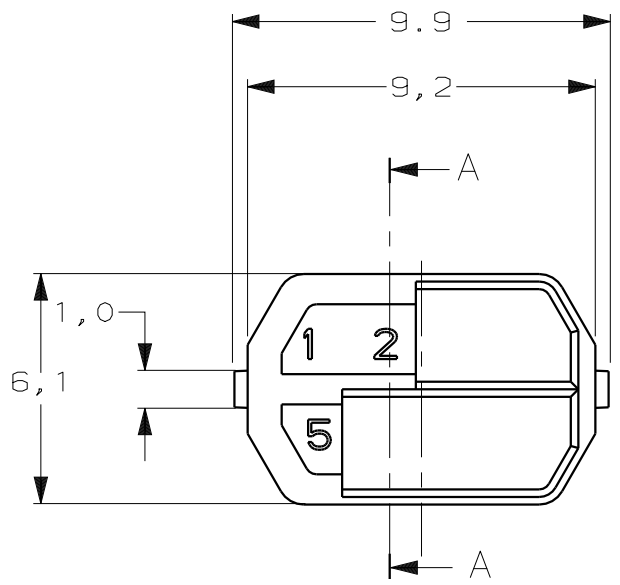


DO NOT SCALE  
DIMENSIONS IN mm

METRIC


THIRD ANGLE  
PROJECTION



POLARIZING PIN.

NOTES:

- 1 THIS DRAWING SHOWS CODING KEY 1345023-1 WITH CODE NUMBER 125-. THIS CODING KEY FITS BOTH THE 5 ROW AND 8 ROW CONNECTOR SYSTEM.
- 2 MATERIAL: GLASSFILLED POLYAMIDE 6.6.;
- 3 THIS CODING KEY HAS THREE BLOCKING PINS AND FIVE CAVITIES. THE NUMBERS ON TOP OF THE BLOCKING PINS FORM THE THREE-FIGURE IDENTIFICATION NUMBER (ASCENDING).

MATES WITH MALE KEYS:				FEMALE KEY			
6-100525-9	OCHER YELLOW	4678	1024				
6-100525-1	STEEL BLUE	3478	5011				
5-100525-9	SLATE GREY	3467	7015	7015	SLATE GREY	125-	1345023-1
PARTNUMBER	COLOUR	ID. NUMBER	RAL NR.	RAL NR.	COLOUR	ID. NUMBER	PARTNUMBER
-				CUSTOMER DRAWING FOR REFERENCE ONLY WILL NOT BE UPDATED			
-				© COPYRIGHT 1999 BY AMP HOLLAND B.V. ALL INTERNATIONAL RIGHTS RESERVED. AMP PRODUCTS MAY BE COVERED BY U.S. AND FOREIGN AND/OR PATENTS PENDING.			
-				THIS DRAWING IS UNPUBLISHED RELEASED FOR PUBLICATION			
-				 AMP HOLLAND B.V. 's-Hertogenbosch, The Netherlands.			
B EH-0164-00				NAME Z-PACK 2mm HM FEMALE CODING KEY			
LTR.	REVISION RECORD		DR.	CHK.	DATE		
DR.:	L.v.d.HEIJDEN	CHK.:	D. TRUREN	APP.:	F.v.KONINGSBRUGGE	DWG.No.	REV.LTR.
DATE:	28-APR-99	DATE:	28-APR-99	DATE:	-	C-1345023-1	B
						SHEET	A3
						1 OF 1	

单击下面可查看定价，库存，交付和生命周期等信息

[>>TE Connectivity\(泰科\)](#)