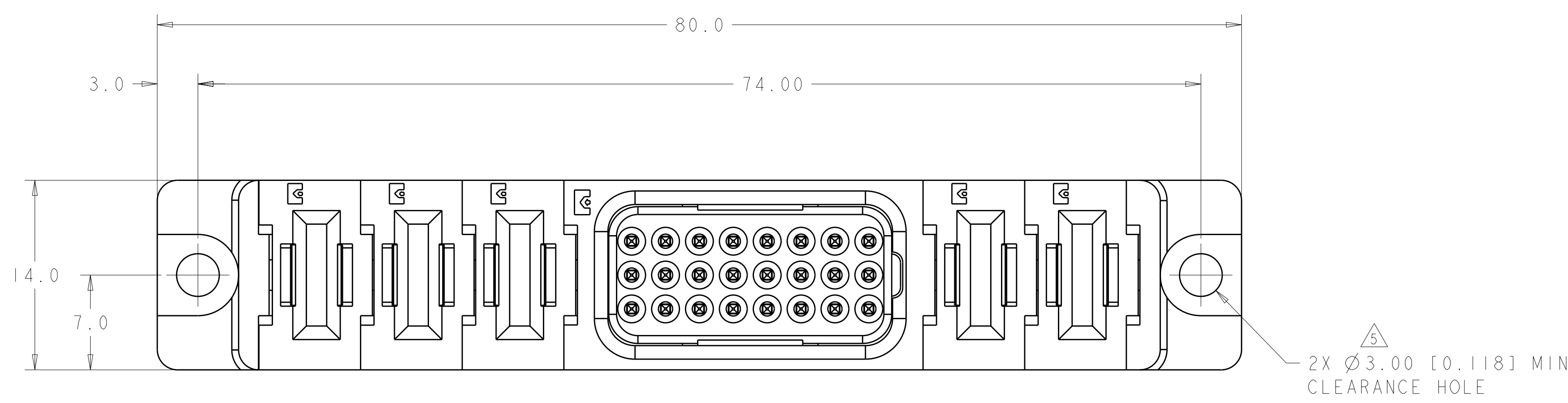


LOC	DIST	REVISIONS			
P	LTR	DESCRIPTION	DATE	DWN	APVD
GP	00				
A		NEW RELEASE	13SEP107	RG	PD
B		REV PER ECO-11-020831	12SEP2011	RG	MS



- PART NUMBER CHANGES AND OR DESIGN CHANGES AFFECTING ITEM INTERCHANGEABILITY REQUIRE PRIOR TYCO ELECTRONICS APPROVAL AND AUTHORIZATION BY REVISION TO THIS DRAWING.
- MATERIAL:
  - INSULATORS - THERMOPLASTIC, GLASS REINFORCED, COLOR: BLACK, UL94V-0 FLAMMABILITY RATED.
  - POWER CONTACTS - PHOSPHOR BRONZE ALLOY, COPPER ALLOY
  - CROWN BAND-BERYLLIUM COPPER ALLOY
  - SIGNAL CONTACTS-BERYLLIUM COPPER ALLOY
- FINISH:
  - CONTACTS - GOLD PLATE .76µm MIN. THK., OVER NICKEL 1.27µm MIN. THK
  - SOLDER TAILS- TIN 3.05 MIN. THK. OVER NICKEL 1.27µm MIN THK.

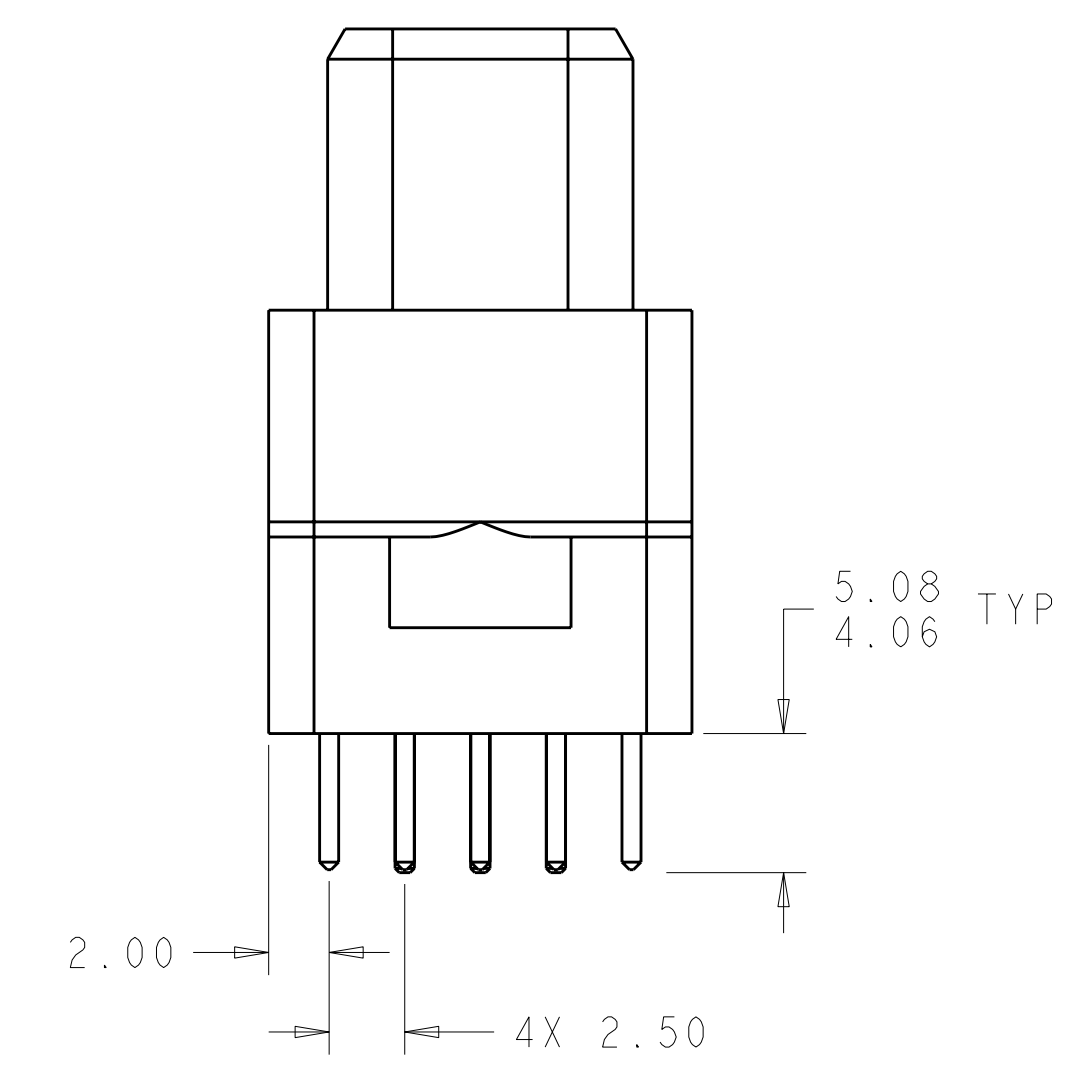
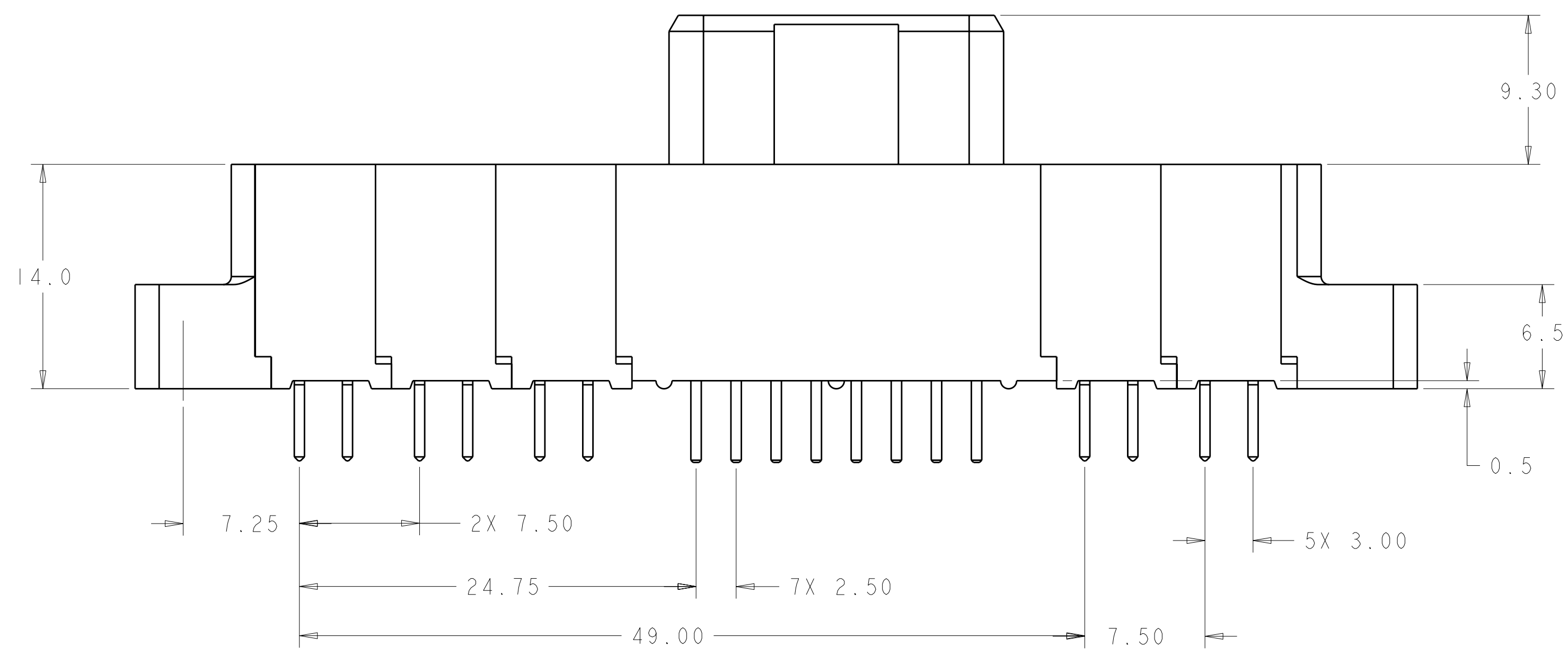
△ ITEMS PROVIDED TO THIS SPECIFICATION TO BE PERMANENTLY IDENTIFIED PER THE FOLLOWING IDENTIFIER LABEL

YEAR WEEK

TYCO ELECTRONICS P/N DATE CODE (e.g. 0106)

XXXXXXX-X XXXX

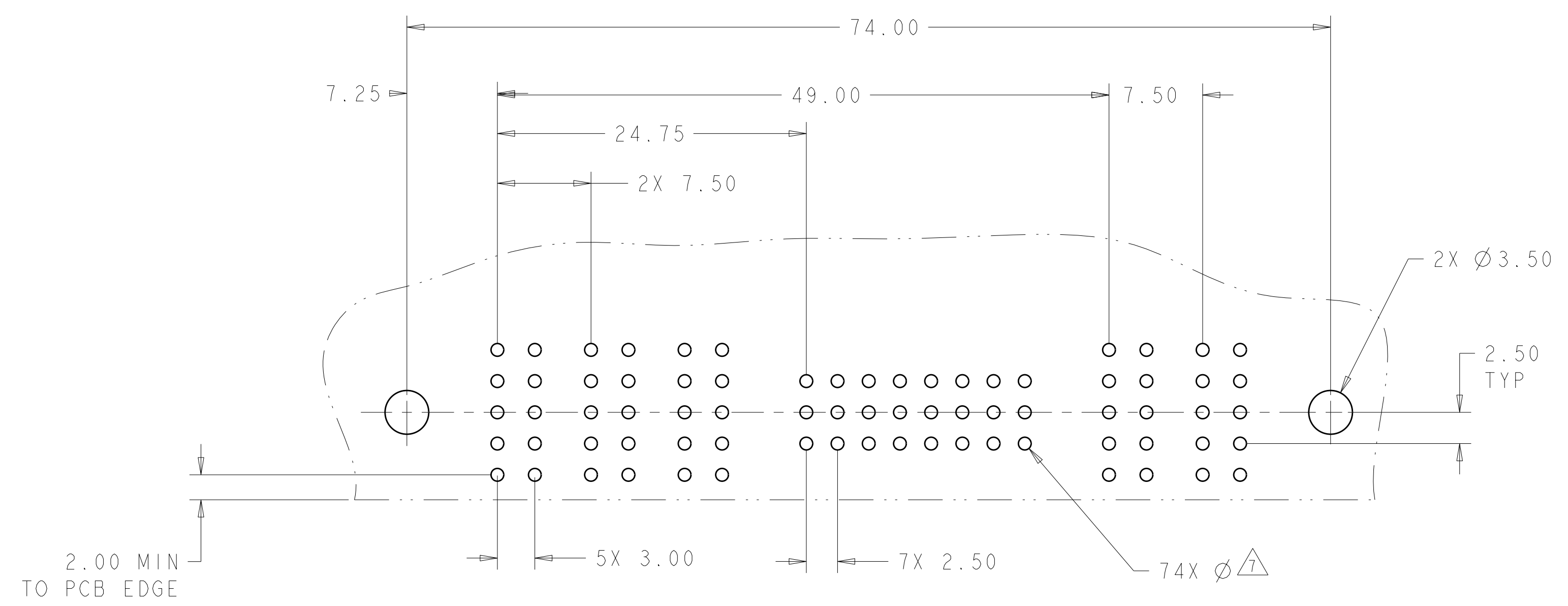
△ MOUNTING FLANGES ACCEPT #6 SCREWS. (USER SUPPLIED)



ELCON FLATPAQ

AS SHOWN		6646273-1	
DESCRIPTION		PART NUMBER	
DIMENSIONS: mm 9 PLC ± 1 PLC ±0.3 (1.023) 3 PLC ±0.15 (1.006) 4 PLC ± ANGLES ± FINISH #3		DWN R. GRZYBOWSKI 13SEP107 CHK P. DAMATO 13SEP107 APVD S. FLICKINGER 13SEP107 PRODUCT SPEC APPLICATION SPEC WEIGHT CUSTOMER DRAWING	
Tyco Electronics Harrisburg, PA 17105-3608		NAME SOCKET CONNECTOR STRAIGHT, SOLDER TAILS FLATPAQ	
SIZE CAGE CODE DRAWING NO A 100779 C=6646273		RESTRICTED TO SCALE 3:1 SHEET 1 OF 3 REV B	

LOC	DIST	REVISIONS			
P	LTB	DESCRIPTION	DATE	DWN	APVD
GP	00	SEE SHEET 1	-	-	-

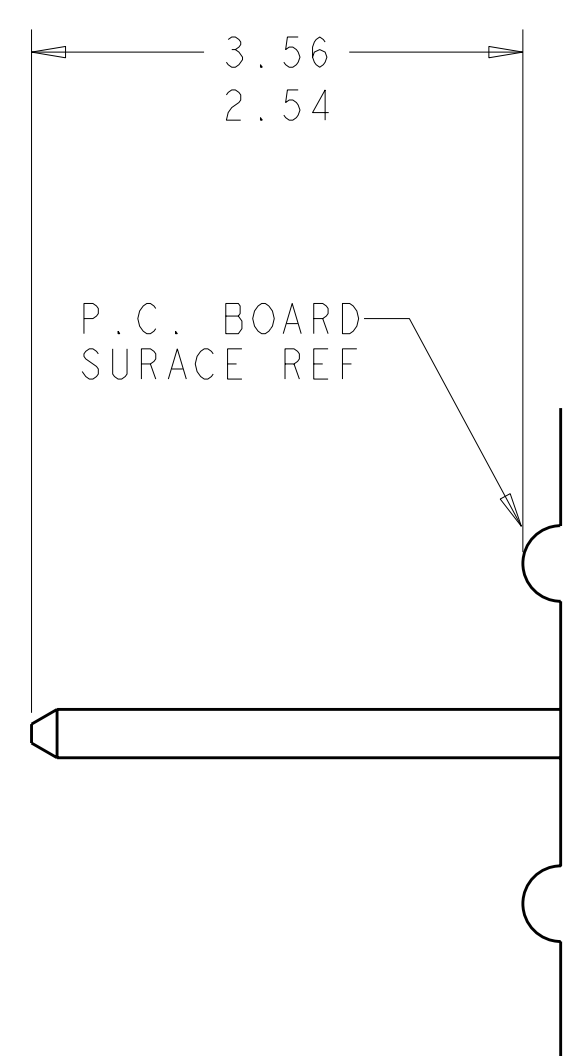


PRINTED CIRCUIT LAYOUT  
 COMPONENT SIDE

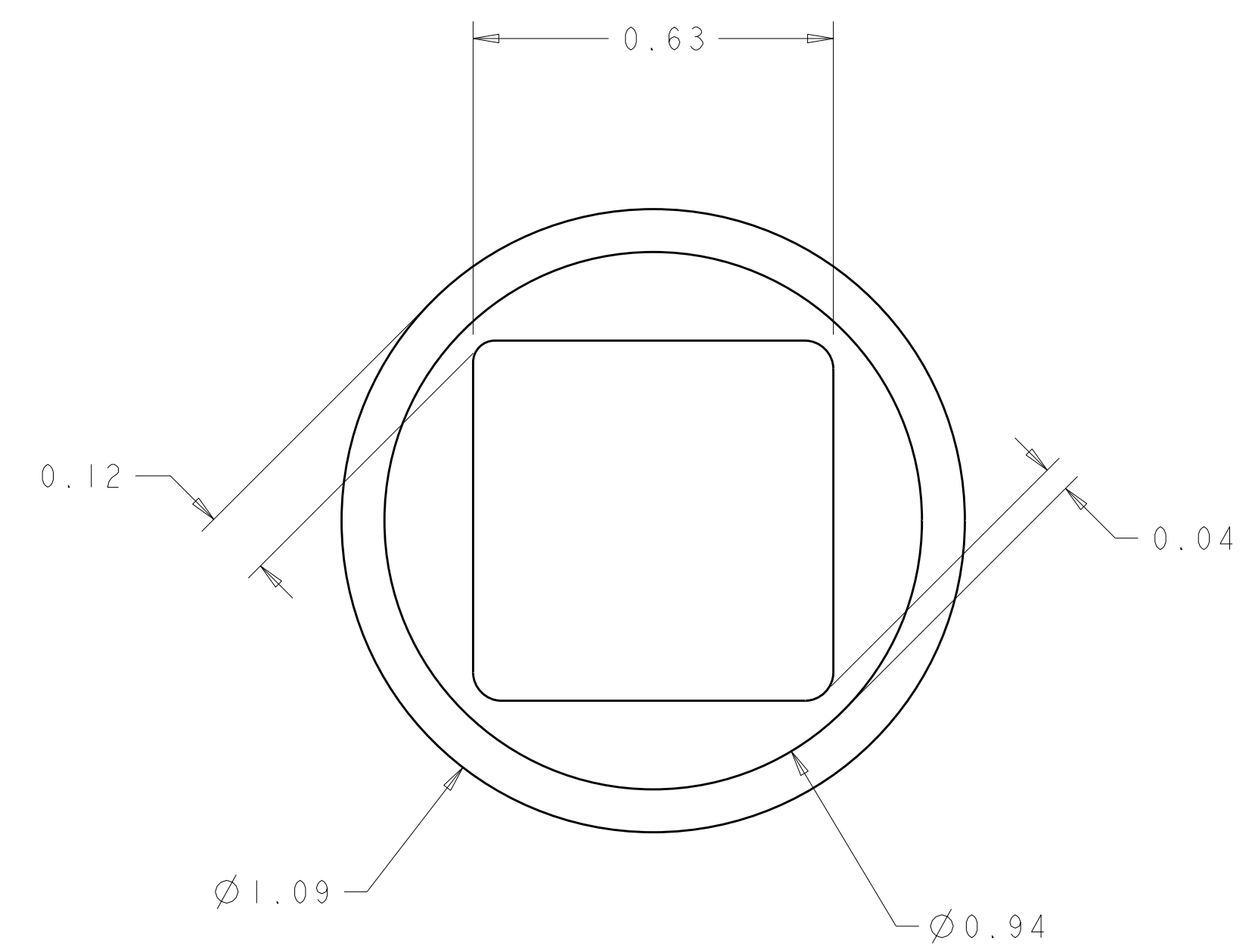
CONNECTOR	CATALOG MODULE #	QTY	SIZE NO.	CONTACT QTY	MATING PIN	MAX. CURRENT (PER CONTACT)	CONTACT SPACING	VOLTAGE RATING
SOCKET	FP100	5	8	5	1.25 X 7.00 [.049 X .276]	35 amps	7.50 [0.295]	250 VOLTS
	FP301	1	22	24	.64 [.025] SQ.	3 amps	2.50 [.0984]	125 VOLTS
	FP500	1	MOUNTING FLANGE, LEFT					
	FP501	1	MOUNTING FLANGE, RIGHT					

<small>THIS DRAWING IS UNPUBLISHED. RELEASED FOR PUBLICATION. ALL RIGHTS RESERVED. THIS IS SUBJECT TO CHANGE WITHOUT NOTICE. DIMENSIONS AND TOLERANCES ARE GIVEN IN MILLIMETERS UNLESS OTHERWISE SPECIFIED.</small>		DWN R. GRZYBOWSKI 13SEP107 CHK P. DAMATO 13SEP107 APVD S. FLICKINGER 13SEP107	Tyco Electronics Harrisburg, PA 17105-3608
DIMENSIONS: mm 	TOLERANCES UNLESS OTHERWISE SPECIFIED: 0 PLC ± 1 PLC ±0.3 [.012] 2 PLC ±0.15 [.006] 3 PLC ± 4 PLC ± ANGLES ± FINISH ±.3	NAME: SOCKET CONNECTOR STRAIGHT, SOLDER TAILS FLATPAQ PRODUCT SPEC: - APPLICATION SPEC: - WEIGHT: - CUSTOMER DRAWING	SIZE: A   00779   C=6646273 SCALE: 3:1 SHEET 2 OF 3 REV B

LOC	DIST	REVISIONS			
P	LTR	DESCRIPTION	DATE	DWN	APVD
GP	00	SEE SHEET 1	-	-	-



6. SOLDER PIN DETAIL  
SCALE 10 : 1



**7 SOLDER TERMINATION AREA**  
 SCALE 40:1  
 RECOMMENDED PRINTED CIRCUIT SOLDER HOLE  
 FINISHED HOLE: Ø1.02 [.040] ±.08 [.003]  
 DRILLED HOLE: Ø1.15 [.0453] ±.013 [.0005]  
 COPPER PLATE: .025 [.0010] MIN  
 TIN PLATE: .008 [.0003] MIN. (PER SURFACE)

ELCON FLATPAQ

<small>THIS DRAWING IS UNPUBLISHED. RELEASED FOR PUBLICATION BY TYCO ELECTRONICS CORPORATION. ALL RIGHTS RESERVED.</small>		DWN: R. GRZYBOWSKI 13SEPT07 CHK: P. DAMATO 13SEPT07 APVD: S. FLICKINGER 13SEPT07	Tyco Electronics Harrisburg, PA 17105-3608
DIMENSIONS: mm 	TOLERANCES UNLESS OTHERWISE SPECIFIED: 0 PLC ±. 1 PLC ±0.3 [.012] 2 PLC ±0.15 [.006] 3 PLC ±. 4 PLC ±. ANGLES ±.	NAME: SOCKET CONNECTOR STRAIGHT, SOLDER TAILS FLATPAQ PRODUCT SPEC: APPLICATION SPEC:	SIZE: A100779 CAGE CODE: C-6646273 DRAWING NO: RESTRICTED TO:
MATERIAL: -	FINISH: -	WEIGHT: -	SCALE: 3:1 SHEET 3 OF 3 REV B
CUSTOMER DRAWING			

单击下面可查看定价，库存，交付和生命周期等信息

[>>TE Connectivity\(泰科\)](#)