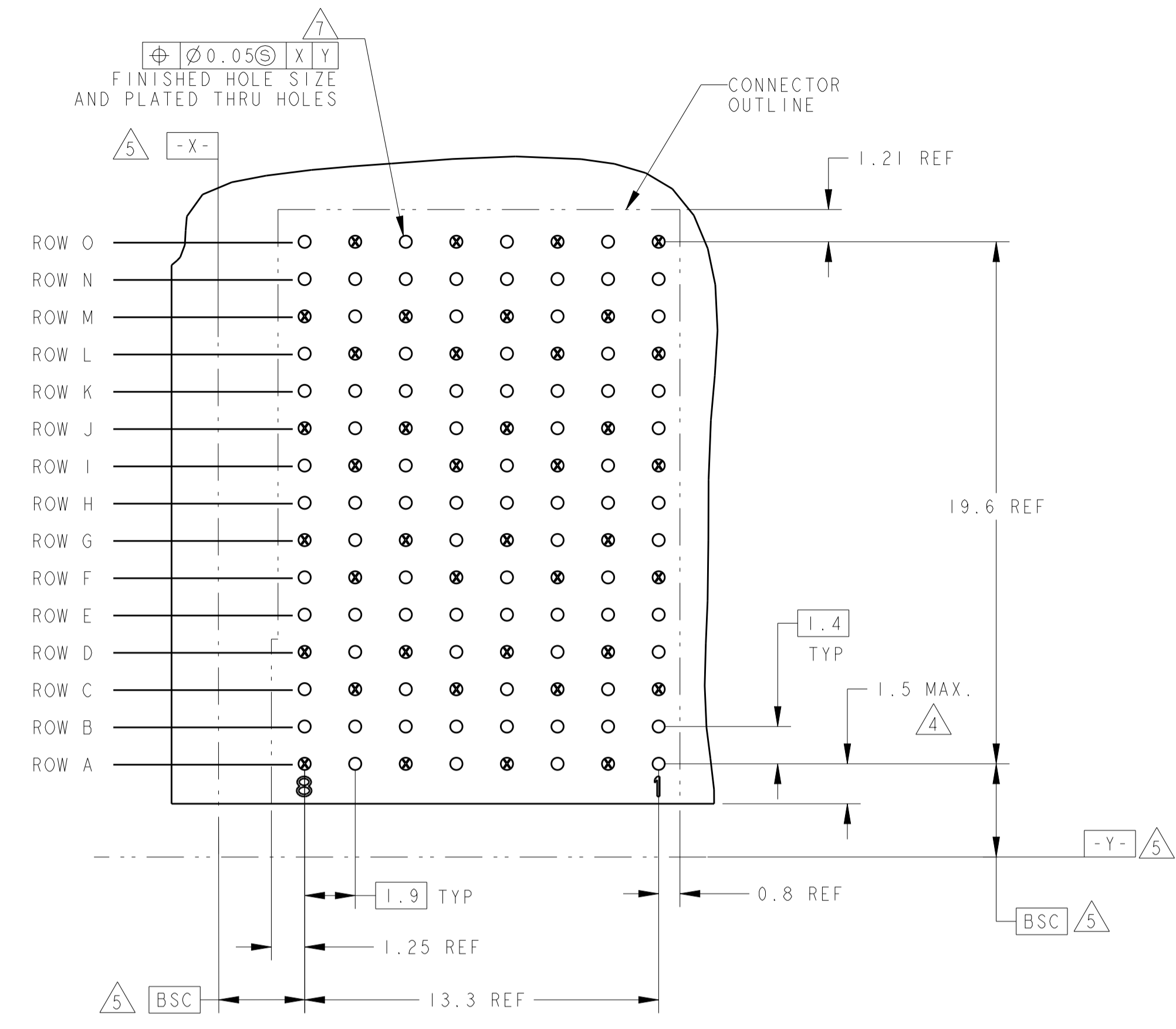
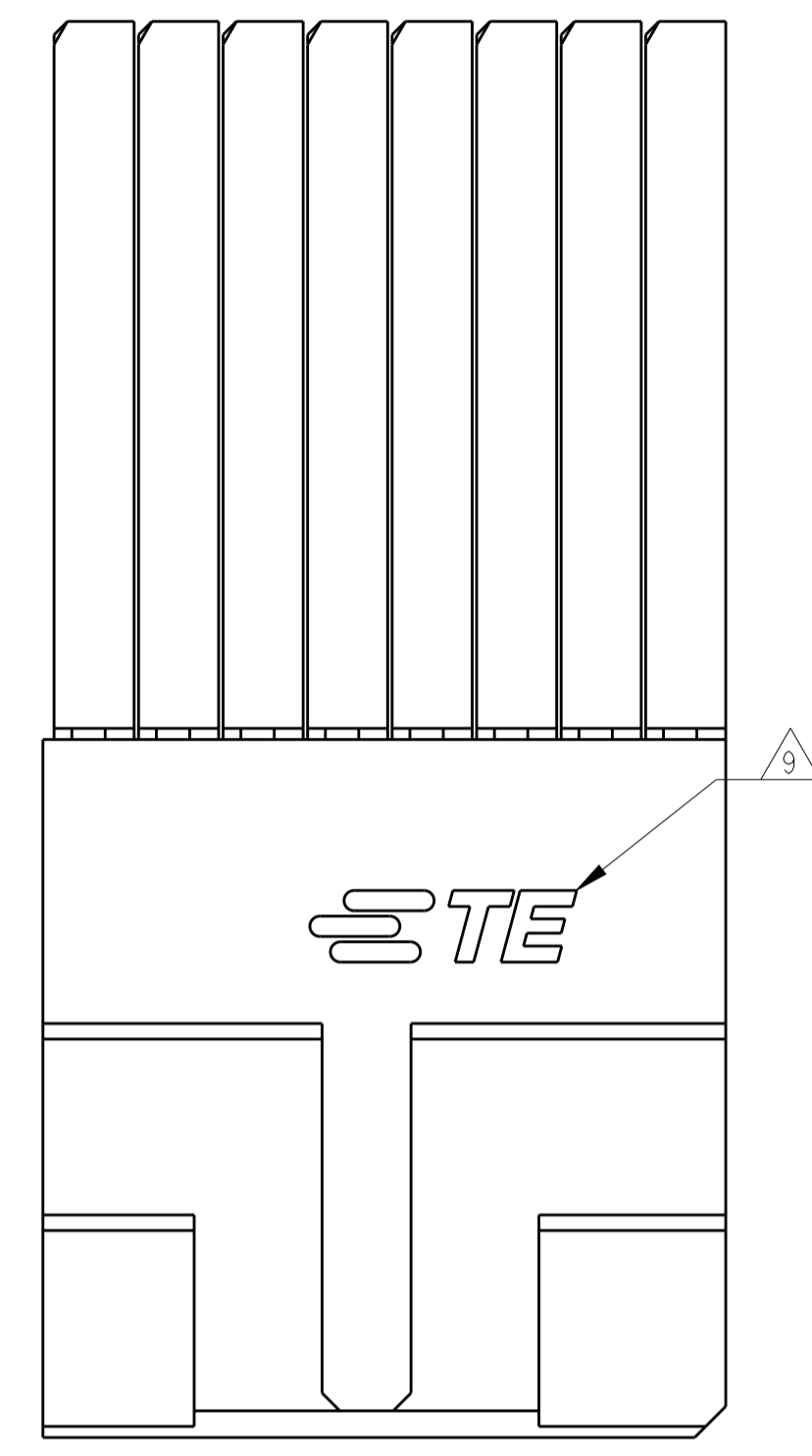


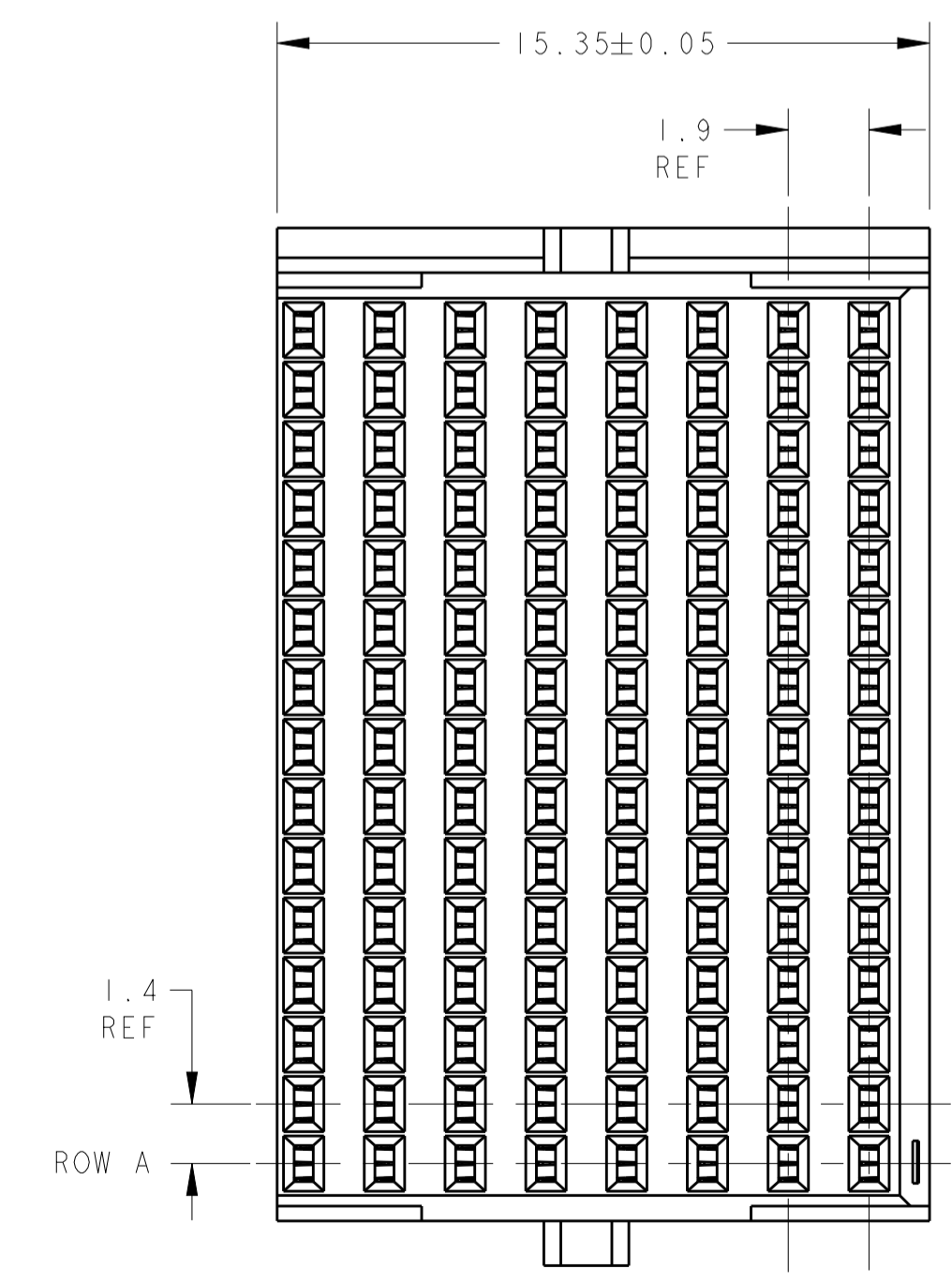
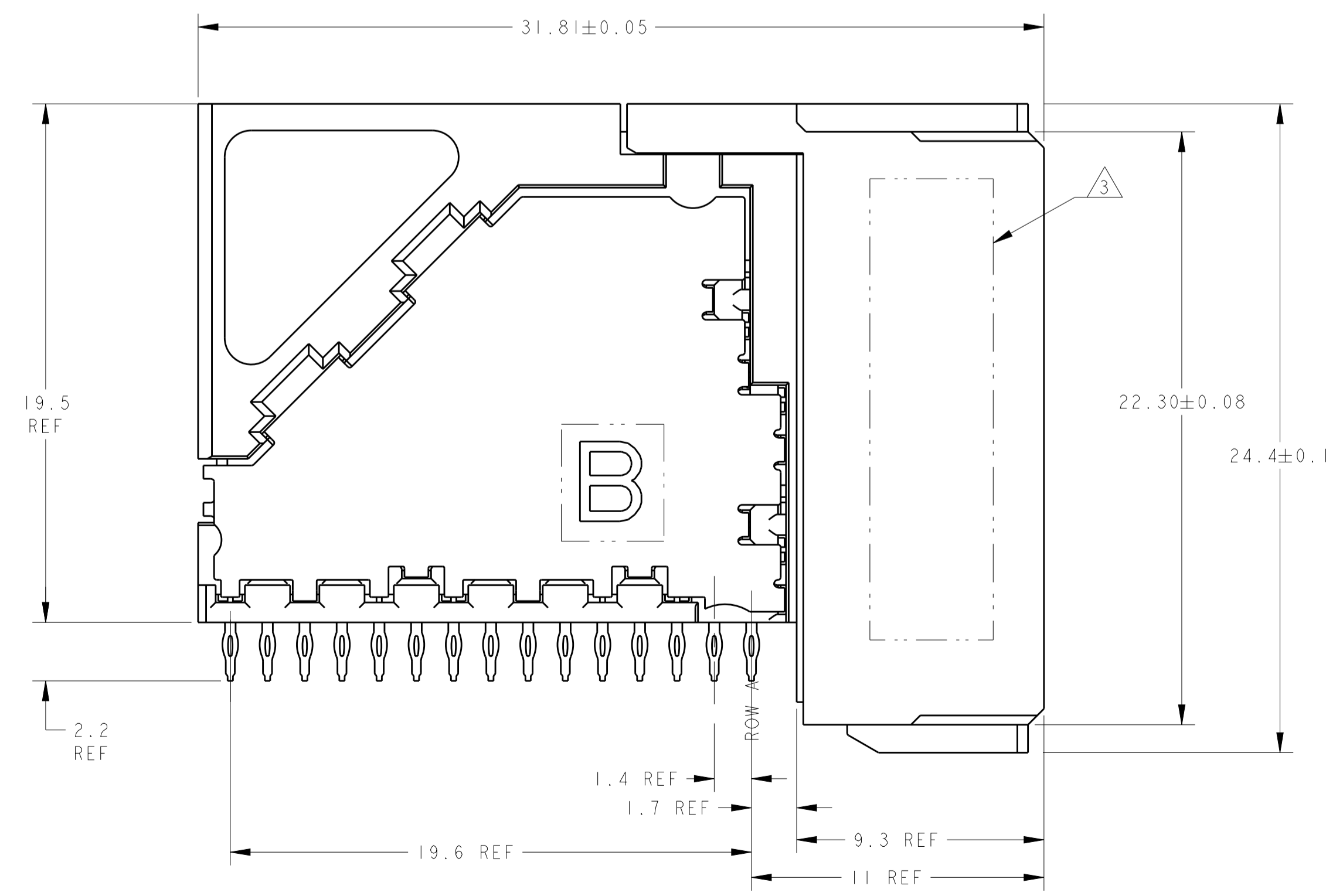
LOC	DIST	REV	DESCRIPTION	DATE	DWN	APVD
J	-	A	RELEASED	27NOV2012	T.T	E.T
		B	REVISED PER ECO-19-009248	18JUL2019	AP	SY



○ = SIGNAL
 ⊗ = GROUND
 RECOMMENDED PC BOARD LAYOUT
 DAUGHTER BOARD
 COMPONENT SIDE SHOWN
 SCALE 6:1



- 1 MATERIAL:
CONTACT AND SHIELD - PHOS BRONZE
HOUSING AND CHICKLET - LCP, UL 94V-0, COLOR - BLACK
- 2 FINISH:
CONTACT AREA FINISH CONFORMS TO THE REQUIREMENTS OF TE PRODUCT SPECIFICATION 108-2303; BASED ON TELCORDIA GR-1217-CORE FOR SYSTEM QUALITY LEVEL III, APPLICATIONS IN CONTROLLED ENVIRONMENTS (CENTRAL OFFICE).
- 3 CONNECTOR MARKED ON EITHER SIDE OF HOUSING WITH PART NUMBER, DATE CODE AND STANDARD IN APPROXIMATE AREA SHOWN.
- 4 DIMENSION APPLIES TO CENTERLINE OF THRU HOLE.
- 5 DATUMS AND BASIC DIMENSIONS ESTABLISHED BY CUSTOMER.
- 6 CONTACT AREA LUBRICATED WITH BELLCORE APPROVED LUBRICANT. TECHNICAL REFERENCE: GR-1217-CORE, ISSUE 1, NOVEMBER 1995.
- 7 REFERENCE APPLICATION SPEC 114-13202 FOR RECOMMENDED PLATED THRU HOLE DIAMETER AND PLATING THICKNESSES.
- 8 THE GROUNDS IN EACH COLUMN ARE COMMONED.
- 9 SHOWN LOGO OR OTHER TE OWNED LOGOS IN APPROXIMATE AREA.



-	2201945-2
6	2201945-1
LUBRICANT	PART NUMBER

THIS DRAWING IS A CONTROLLED DOCUMENT.

DIMENSIONS: mm	TOLERANCES UNLESS OTHERWISE SPECIFIED: mm	OWN: T. IAGUCHI 27NOV2012 CHK: T. KAWAMAE 27NOV2012 APVD: F. TAKEMASA 27NOV2012	NAME: SPC
0 PLC ± 1 PLC ± 2 PLC ± 3 PLC ± 4 PLC ±	± ± ± ± ±	PRODUCT SPEC: 108-2303 APPLICATION SPEC: 114-13202	SIZE: A1 CAGE CODE: 100779 DRAWING NO: C=2201945
MATERIAL: PHOS BRONZE	FINISH: PLATED	WEIGHT: 17.9 g REF	RESTRICTED TO: -

Customer Drawing SCALE 6:1 SHEET 1 OF 1 REV B

单击下面可查看定价，库存，交付和生命周期等信息

[>>TE Connectivity\(泰科\)](#)