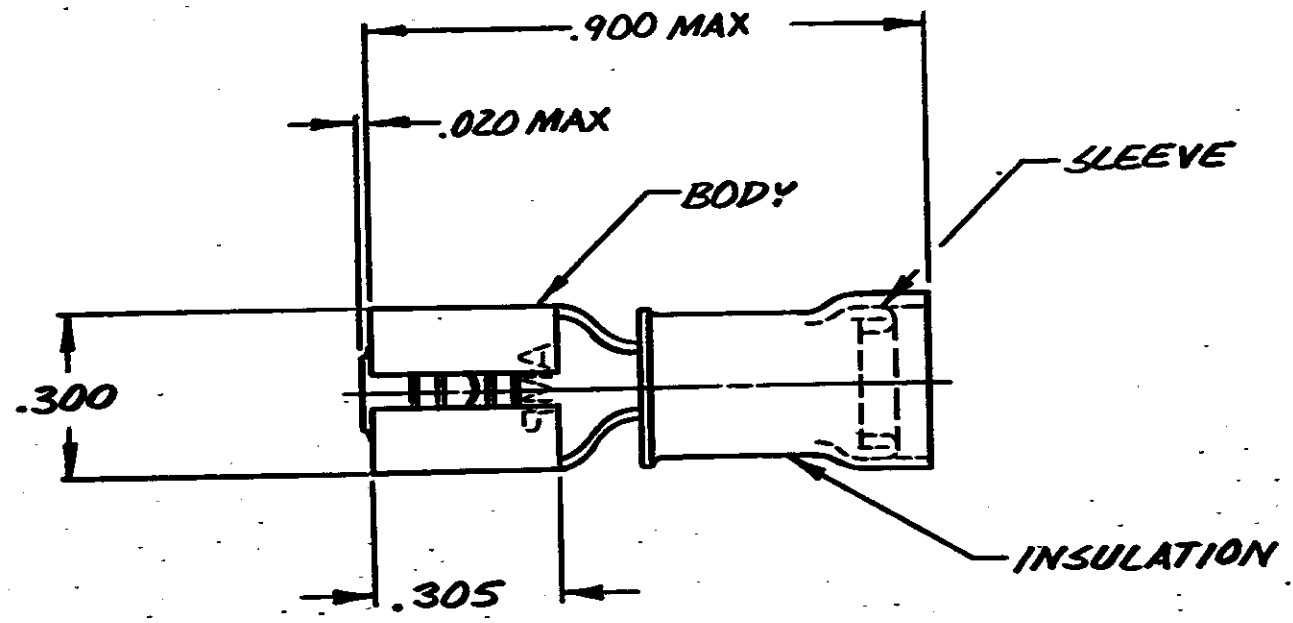


THIS DRAWING IS UNPUBLISHED. RELEASED FOR PUBLICATION . 19  
 © COPYRIGHT 19 BY AMP INCORPORATED, HARRISBURG, PA. ALL INTERNATIONAL RIGHTS RESERVED. AMP PRODUCTS MAY BE COVERED BY U.S. AND FOREIGN PATENTS AND/OR PATENTS PENDING.

		REVISIONS			LOC	DIST
P	F	ZONE	LTR	DESCRIPTION	DATE	APPROVED
✓			D	REL-1 86-1169-001, -Z P85-0528	5/13/86	PM/ [Signature]
	✓		A	REV PER G-4725	7/12/88	JT/ [Signature]
✓			B	REV/0720-0220-92	1/93	Lo/m.e.



QTY	PACKAGE TYPE	PART NO
—	LOOSE PIECE	55675-1
4,000	ON TAPE, REEL	55675-2

- 1. FOR .135 MAX INSULATION DIA.
- 2. FITS .032 TAB THK.

MATERIAL & FINISH	PART NO
BODY: BRASS MIL-C-50	55675-2
SLEEVE: COPPER QQ-C-576	
TIN PL MIL-T-10721	55675-1
INSULATION: NYLON RED	

UNLESS OTHERWISE SPECIFIED DIMENSIONS ARE IN INCHES. TOLERANCES ON: DECIMALS ± .015 ANGLES ± —	CONTRACT NO		<b>AMP</b>   AMP INCORPORATED Harrisburg, Pa.	
	DR	P. Fortney 5/14/86		
	MATERIAL	SEE TABLE	NAME	RECEPTACLE, PIDG, FASTON, 22-18, 250
	FINISH	SEE TABLE	SIZE	B
	OTHER APPD	DSGN APPD	FSCM NO	00779
			DRAWING NO	55675
			SCALE	NTS
			SHEET	1 OF 1

CUSTOMER DRAWING

单击下面可查看定价，库存，交付和生命周期等信息

[>>TE Connectivity\(泰科\)](#)