

THIS DRAWING IS UNPUBLISHED.

RELEASED FOR PUBLICATION

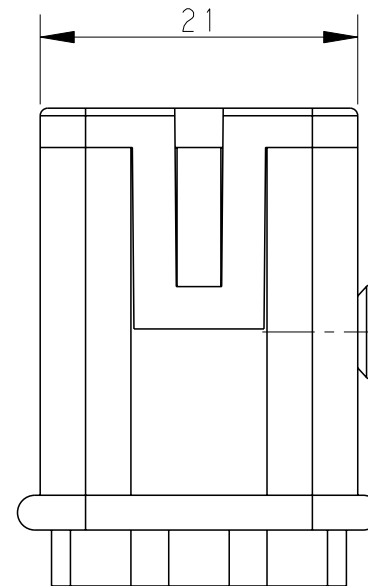
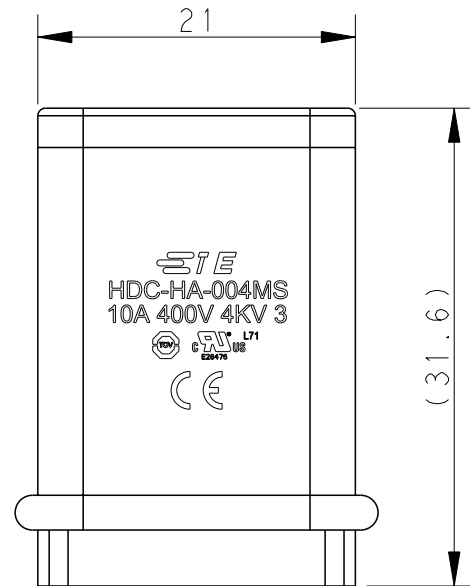
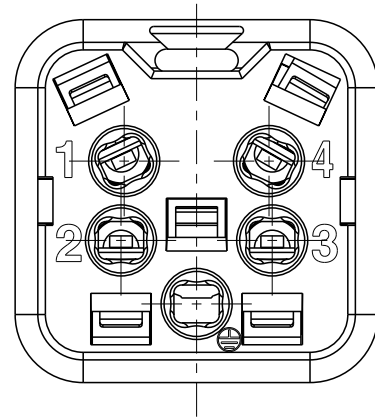
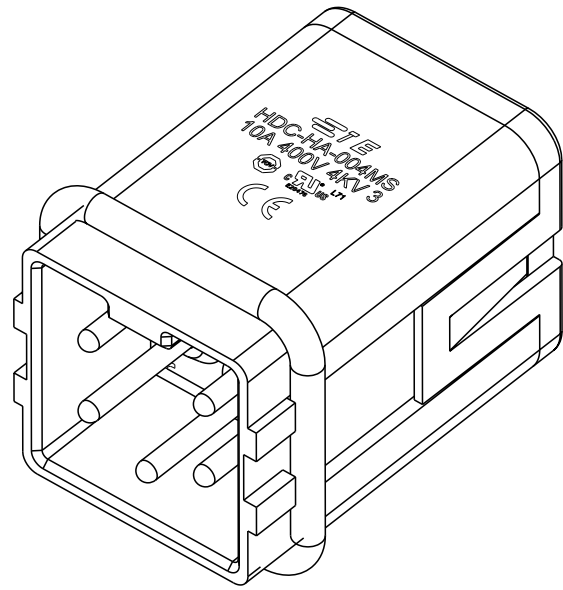
20

© COPYRIGHT 20 BY -

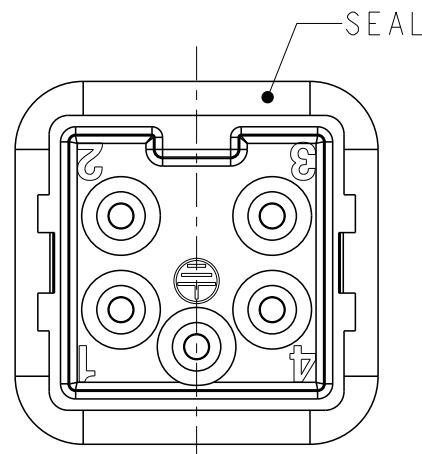
ALL RIGHTS RESERVED.

REVISIONS

P	LTR	DESCRIPTION	DATE	DWN	APVD
	A	INITIAL	18DEC2014	DW	CW
	B	ECR-15-013750	21SEP2015	DW	CW
	B1	ECR-15-016224	05NOV2015	DW	CW
	C	ECR-20-016101	09JUN2021	BS	CW



M3 SCREW,
RECOMMENDED
TIGHTENING
TORQUE 0.5Nm



NOTES:

- TECHNICAL CHARACTERISTICS:
INSULATION MATERIAL: PC
RATED VOLTAGE: 400 V
RATED CURRENT: 10 A
INSULATION RESISTANCE: $\geq 400M\Omega$
RATED IMPULSE VOLTAGE: 4 KV
POLLUTION DEGREE: 3
FLAMMABILITY: UL94V-0
MATING CYCLES: 500 CYCLES
WIRE RANGE: 0.5-2.5 mm² (20-14 AWG)
CONTACT FINISH: SILVER PLATED
CONTACT TYPE: SPRING CONTACT

注释:

- 技术参数:
绝缘材料: PC
额定电压: 400V
额定电流: 10A
绝缘电阻: $\geq 400M\Omega$
额定脉冲电压: 4 KV
污染等级: 3
阻燃等级: UL94V-0
插拔次数: 500 次
接线范围: 0.5-2.5 mm² (20-14 AWG)
端子表面处理: 镀银
接线类型: 弹片压接

THIS DRAWING IS A CONTROLLED DOCUMENT.

DIMENSIONS:	TOLERANCES UNLESS OTHERWISE SPECIFIED:
mm	
	0 PLC ±-
	1 PLC ±-
	2 PLC ±-
	3 PLC ±-
	4 PLC ±-
	ANGLES ±-
MATERIAL	FINISH
-	-
-	-

DWN	18DEC2014
DAVID WANG	
CHK	18DEC2014
CHRIS WANG	
APVD	18DEC2014
XU XIANG	
PRODUCT SPEC	108-137045
APPLICATION SPEC	114-137045
WEIGHT	-
Customer Drawing	



TE Connectivity

NAME		HA-004-MS	
SIZE	CAGE CODE	DRAWING NO	RESTRICTED TO
A3	00779	T2010043101000	-
SCALE		SHEET	REV
2:1		1 OF 1	C

printed on 18 Jun 2021 14:59 (China Standard Time) from TE236667

A

A

D

D

C

B

单击下面可查看定价，库存，交付和生命周期等信息

[>>TE Connectivity\(泰科\)](#)