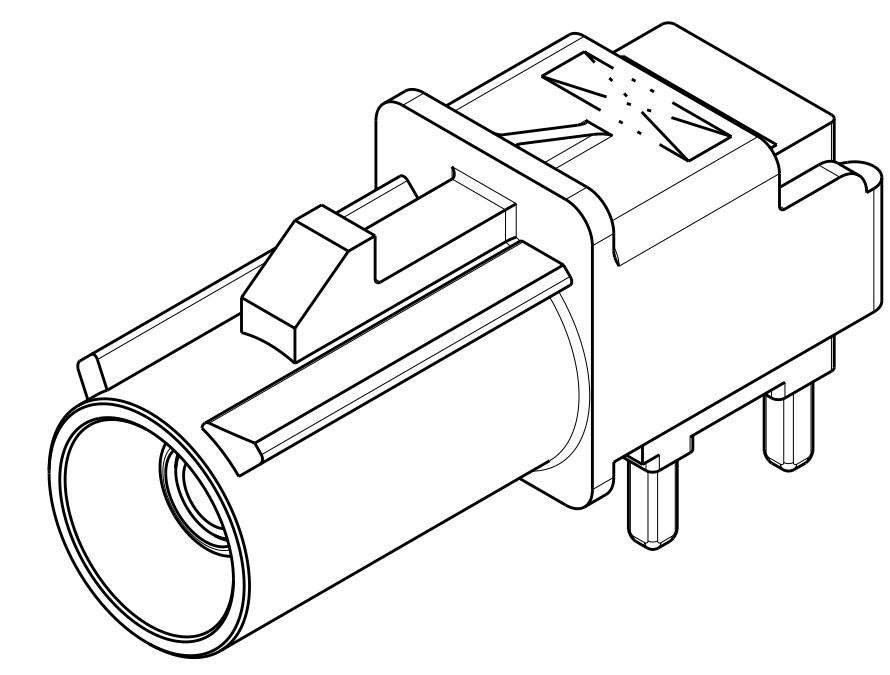
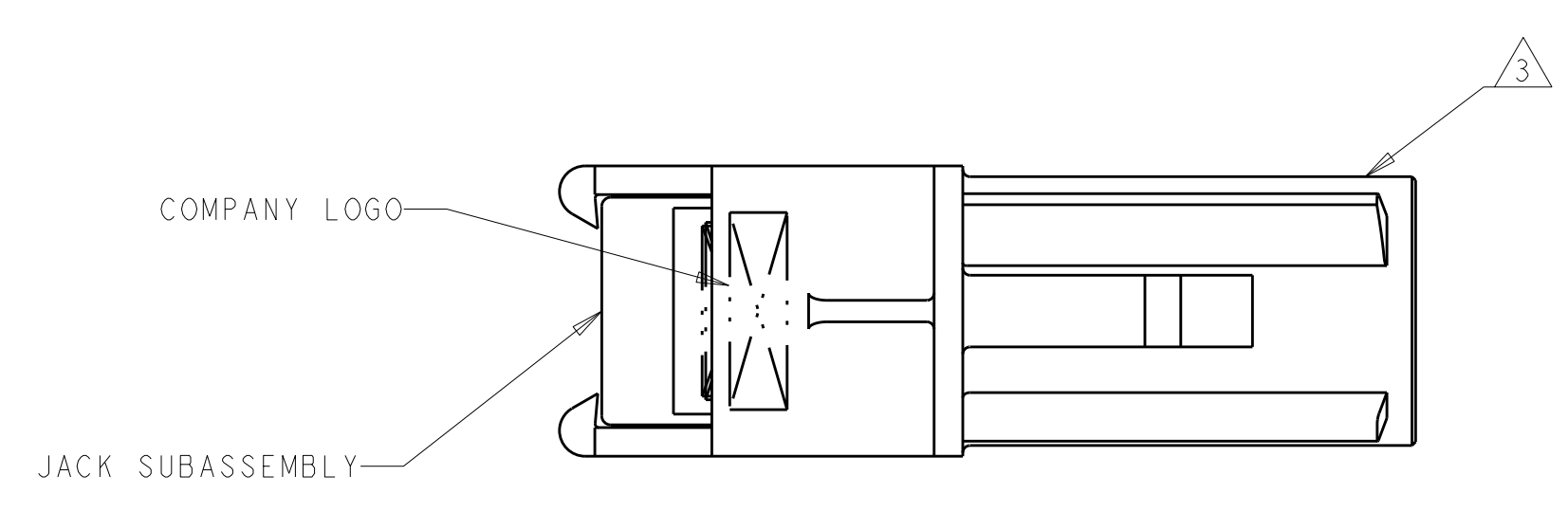
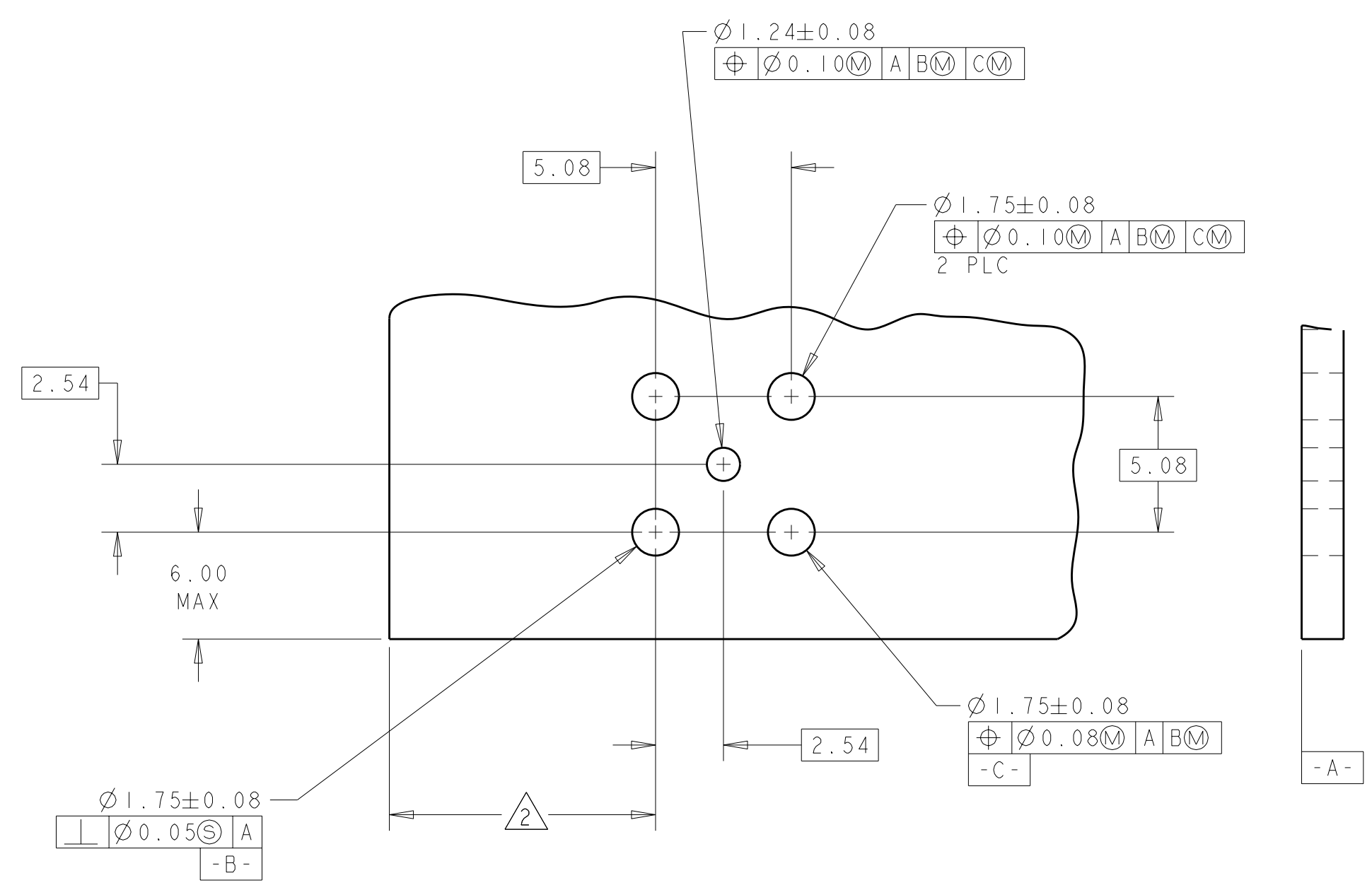
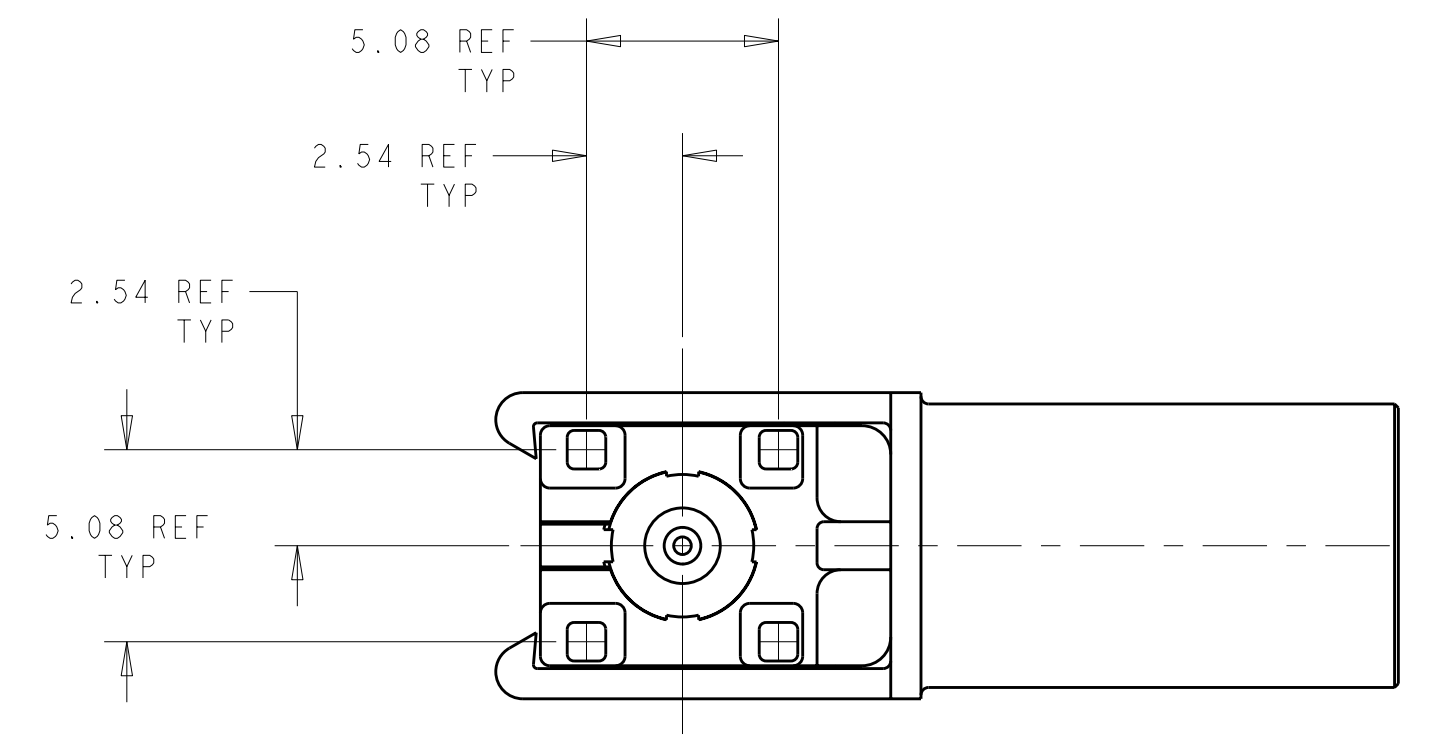
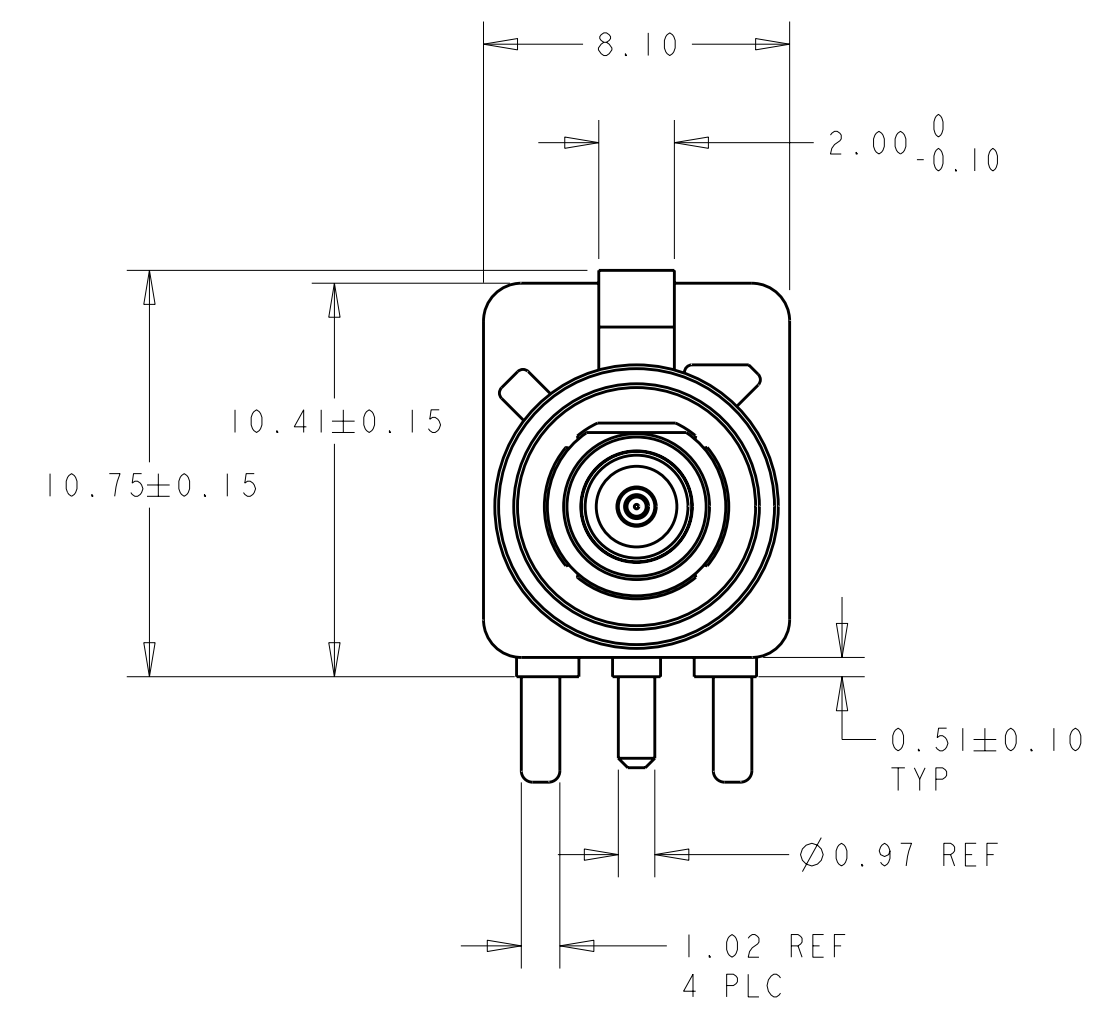
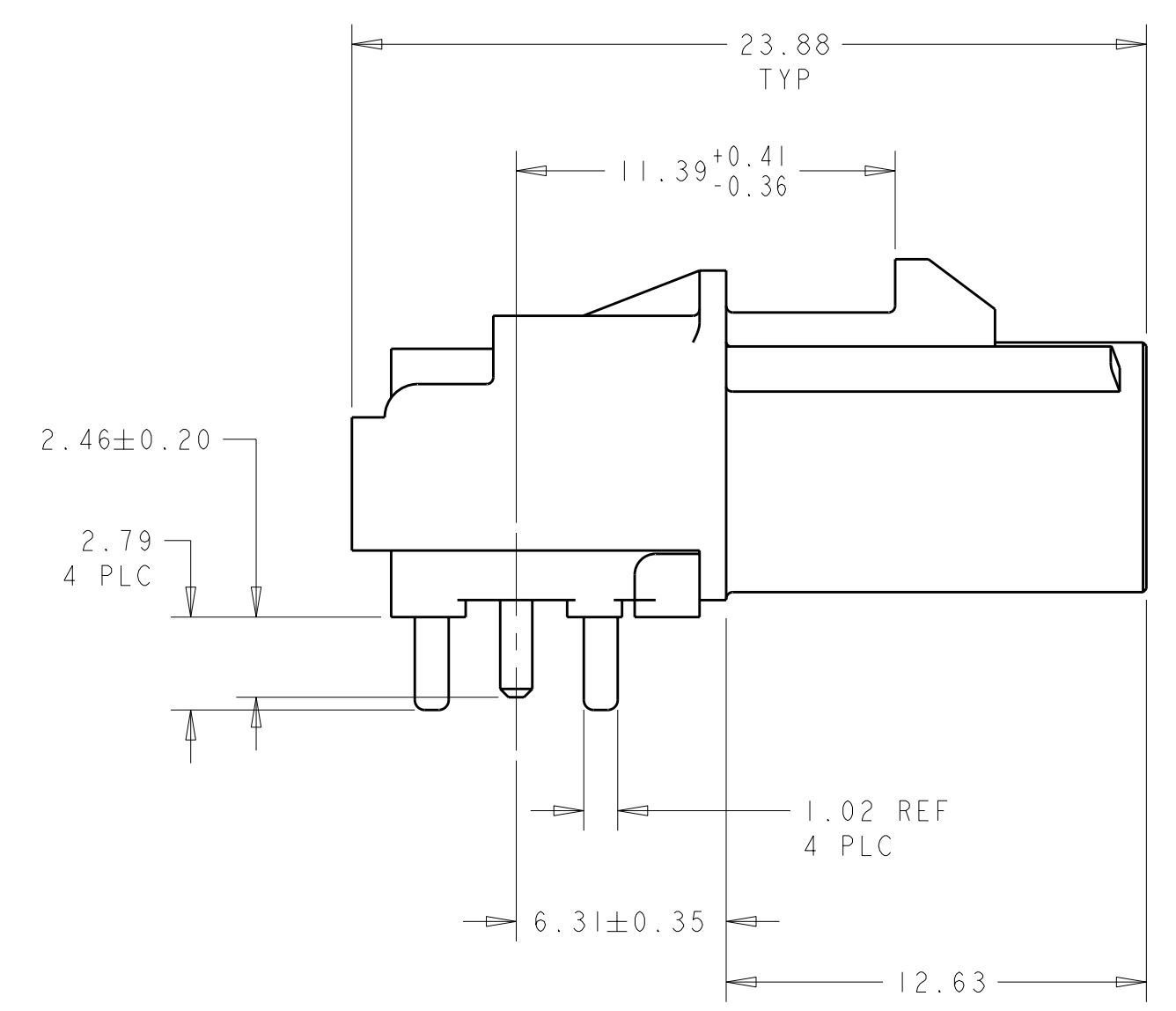


REV ISIONS		DATE	DNW	APVD
FX	00			
J1	REVISED PER ECO-11-005030	12MAR2011	RK	HMR



- △ MATERIAL:
 HOUSING: PBT
 JACK: ZINC
 PIN: BRASS
 DIELECTRIC - REAR: POLYMETHYLPENTENE AND FRONT: TEFLON
- △ DIMENSION ESTABLISHED BY CUSTOMER RELATIVE TO LOCATION ON PCB.
- △ JACK INTERFACE PER SAE/USCAR-18, FAKRA SMB RF CONNECTOR SUPPLEMENT
- △ FINISH:
 JACK: JACK - PLATE 2.0µm - 4.0µm TIN OVER 1.52µm - 4.06µm BRIGHT NICKEL OVER 2.54µm COPPER FLASH
 PIN: 1.27µm MINIMUM THICK GOLD OVER 1.3µm MINIMUM THICK NICKEL

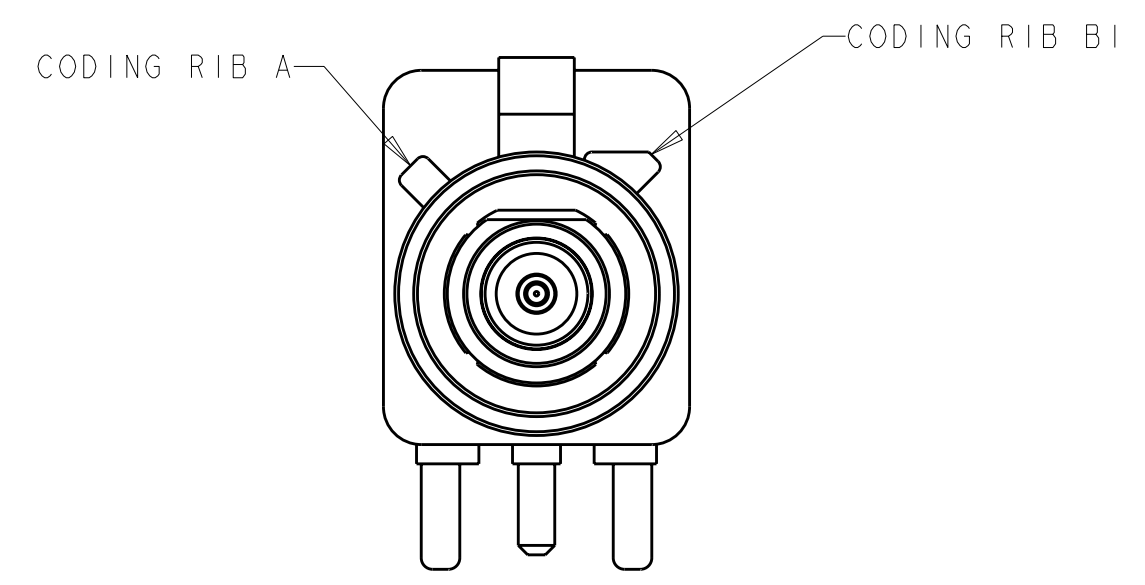


RECOMMENDED PC BOARD LAYOUT

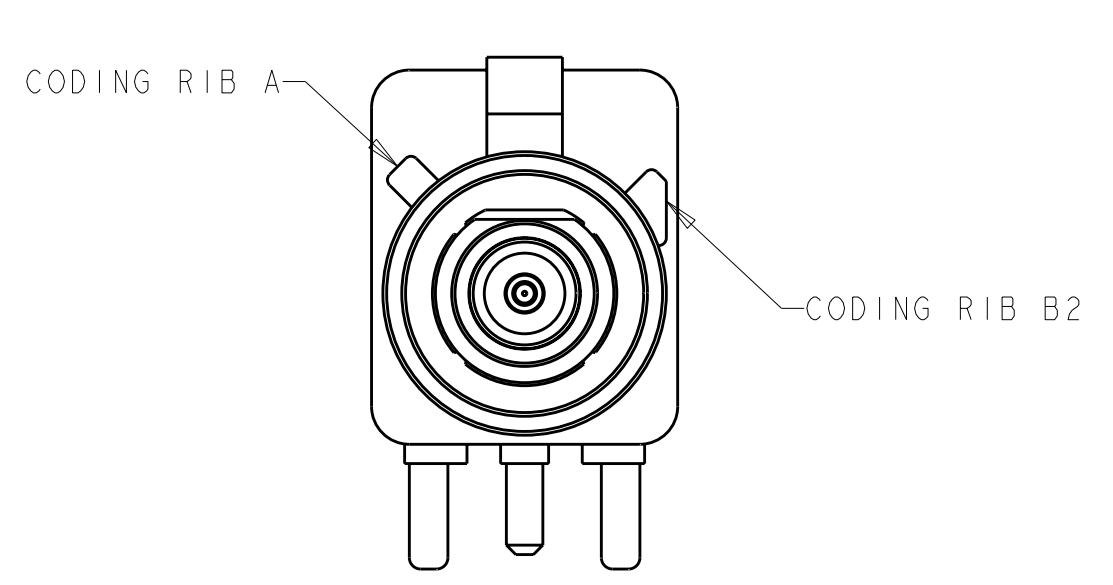
PER DETAIL	KEYING	KEY CODE	JACK HOUSING COLOR	PART NUMBER
PER DETAIL Z	Z		WATERBLUE	1-638817-1
PER DETAIL K	K		CURRY	1-638817-0
PER DETAIL I	I		BEIGE	638817-9
PER DETAIL H	H		VIOLET	638817-8
PER DETAIL G	G		GREY	638817-7
PER DETAIL F	F		BROWN	638817-6
PER DETAIL E	E		GREEN	638817-5
PER DETAIL D	D		BORDEAUXVIOLET	638817-4
PER DETAIL C	C		BLUE	638817-3
PER DETAIL B	B		SIGNAL WHITE	638817-2
PER DETAIL A	A		BLACK	638817-1

THIS DRAWING IS A CONTROLLED DOCUMENT.		DNW: D. HARDY 05JUL00	TE Connectivity NAME: JACK ASSEMBLY, FAKRA, 1 POSITION, RIGHT ANGLE, PCB, 50 Ohm, SMB PRODUCT SPEC: 108-2054 APPLICATION SPEC: 114-13043 WEIGHT: 4.10 g CUSTOMER DRAWING
DIMENSIONS:	TOLERANCES UNLESS OTHERWISE SPECIFIED:	CHK: J.W. HALL 06JUL00	
mm	9 PLC ± 3 PLC ±0.25 5 PLC ± 4 PLC ± ANGLES ±	APVD: J.W. HALL 06JUL00	
MATERIAL:	FINISH:	SIZE: CAGE CODE DRAWING NO: A100779C-638817	
		SCALE: 5:1	SHEET: 1 OF 2

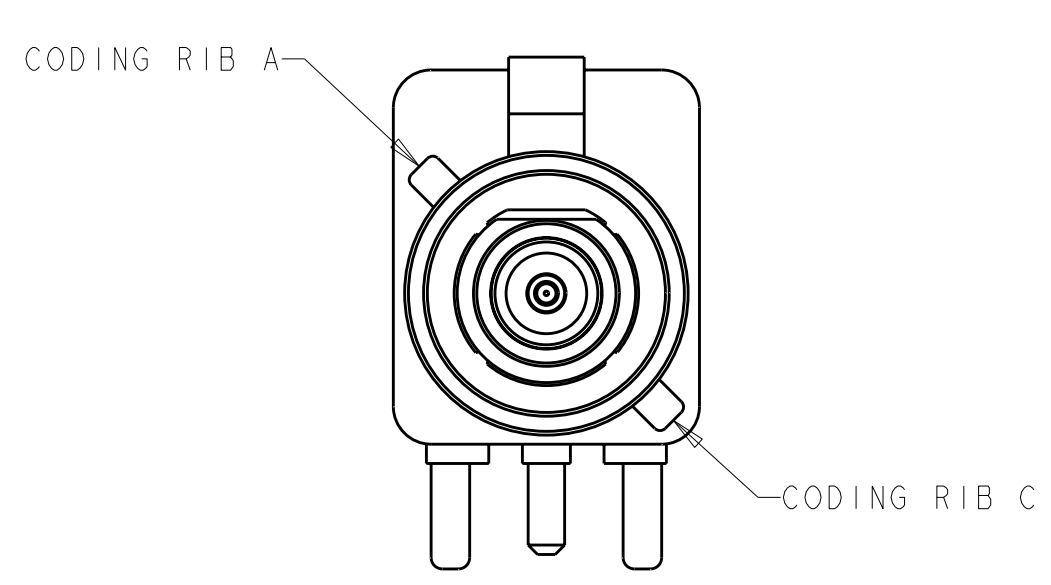
LOC	DIST	REVISIONS			
		REV	DATE	BY	APPD
FX	00	-	-	-	-
		SEE SHEET 1			



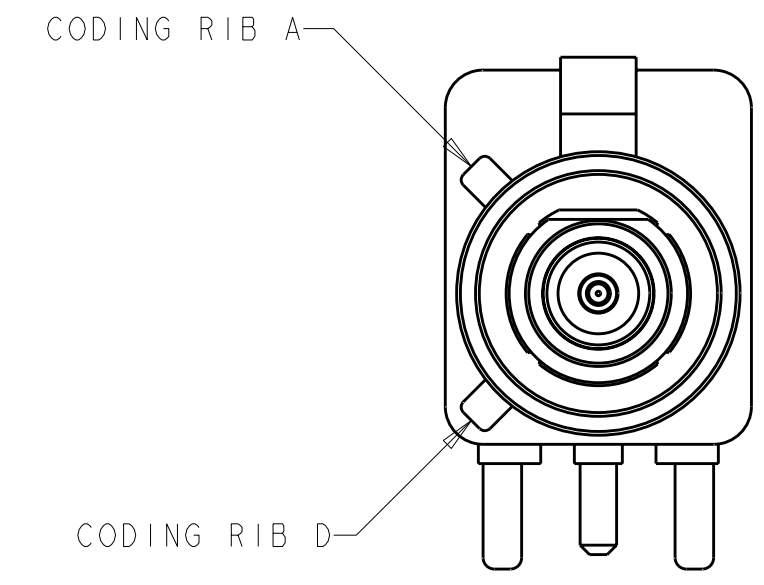
DETAIL A



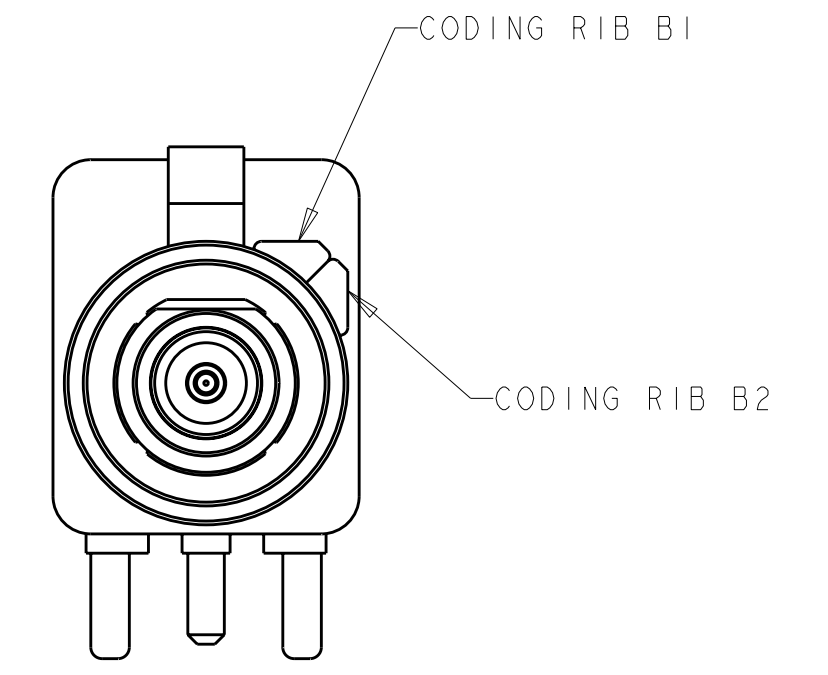
DETAIL B



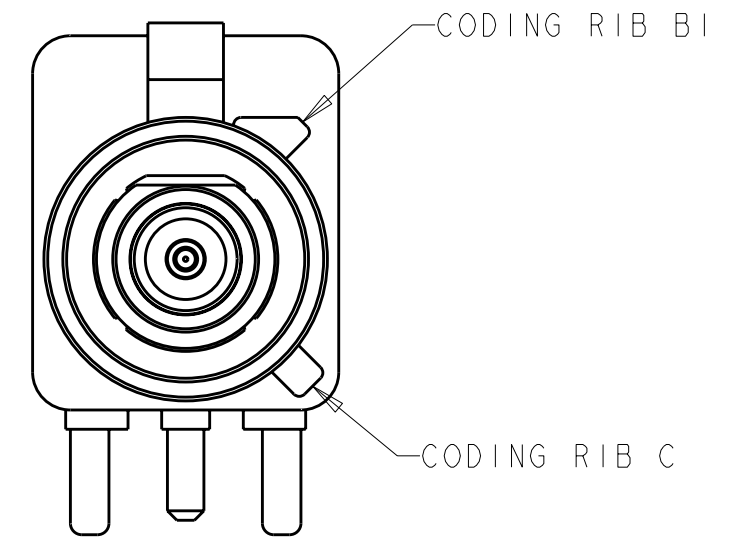
DETAIL C



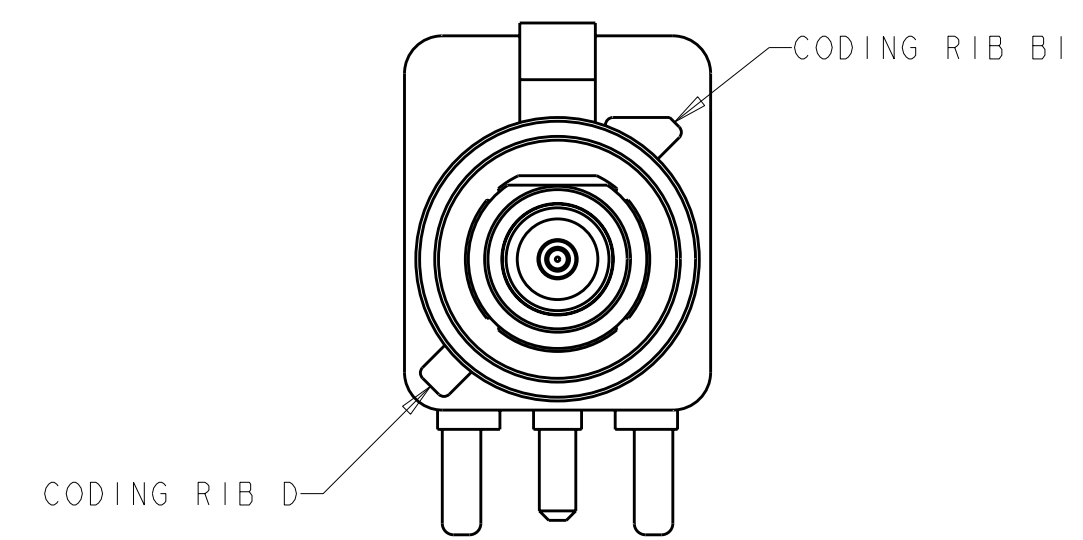
DETAIL D



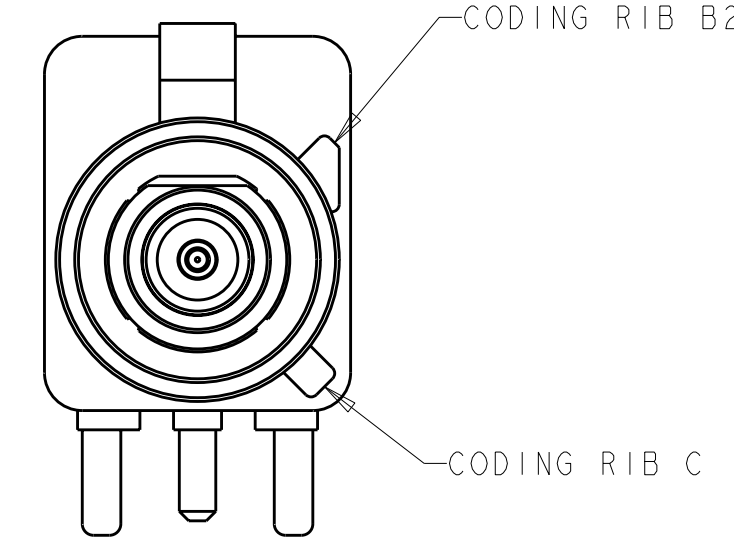
DETAIL E



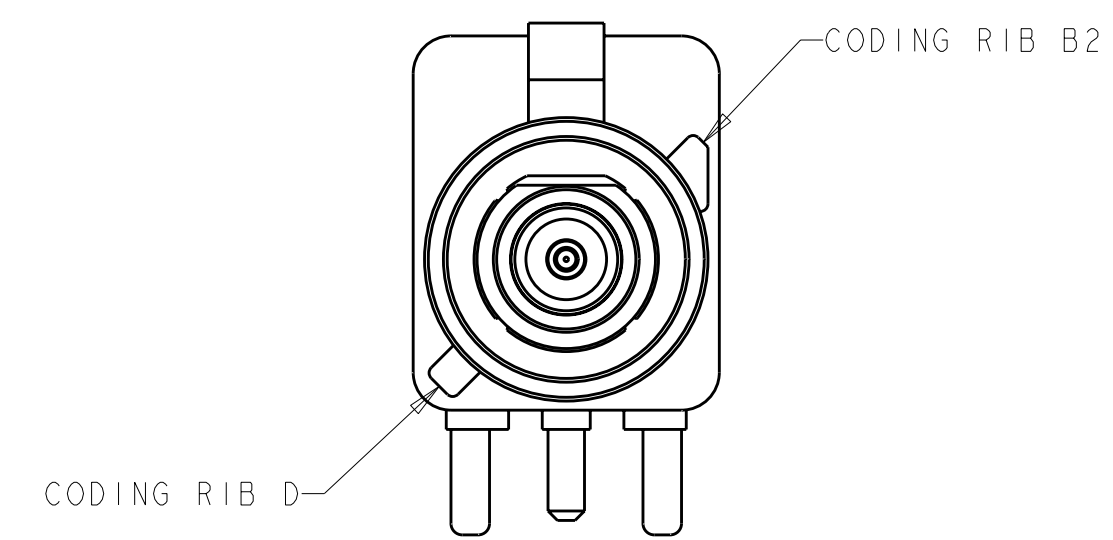
DETAIL F



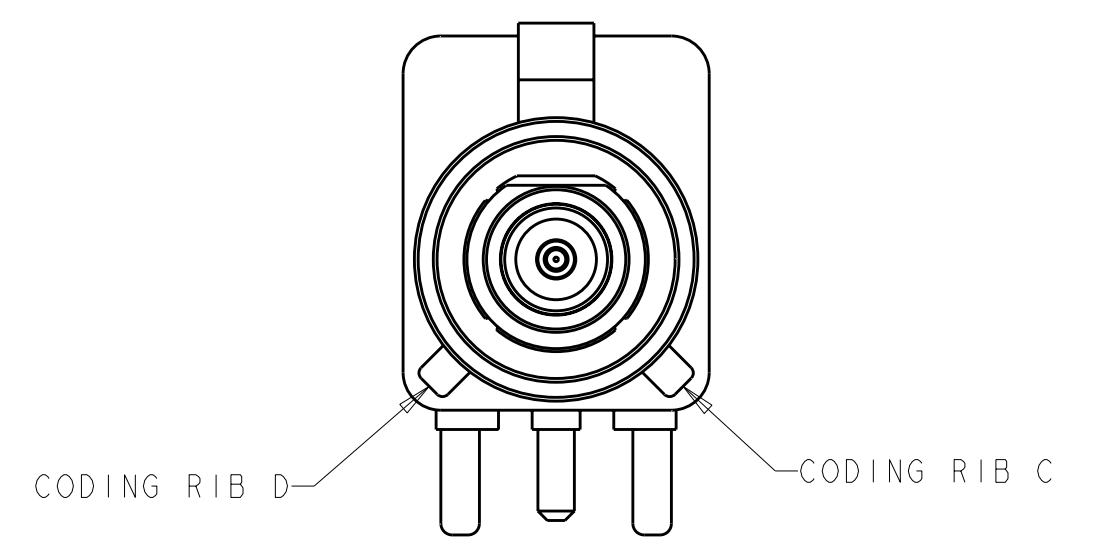
DETAIL G



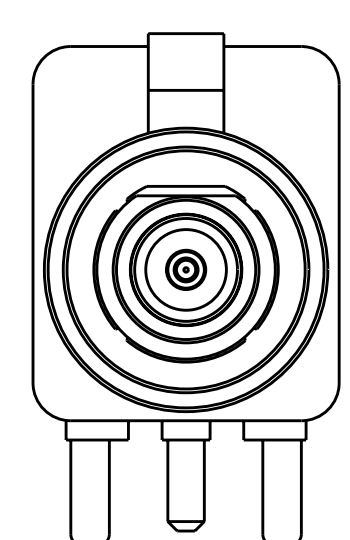
DETAIL H



DETAIL I



DETAIL K



DETAIL Z

THIS DRAWING IS A CONTROLLED DOCUMENT.		OWN	D. HARDY	05JUL00	TE Connectivity NAME JACK ASSEMBLY, FAKRA, 1 POSITION, RIGHT ANGLE, PCB, 50 Ohm, SMB
DIMENSIONS:		CHK	J. W. HALL	06JUL00	
TOLERANCES UNLESS OTHERWISE SPECIFIED:		APVD	J. W. HALL	06JUL00	
mm	0 PLC ±	PRODUCT SPEC			
	1 PLC ±	APPLICATION SPEC			
	2 PLC ±0.25	SIZE	A100779	C=638817	RESTRICTED TO
	3 PLC ±	WEIGHT			
	4 PLC ±	CUSTOMER DRAWING			
	ANGLES ±	SCALE	5:1	SHEET 2 OF 2	REV J1
MATERIAL	FINISH				

单击下面可查看定价，库存，交付和生命周期等信息

[>>TE Connectivity\(泰科\)](#)