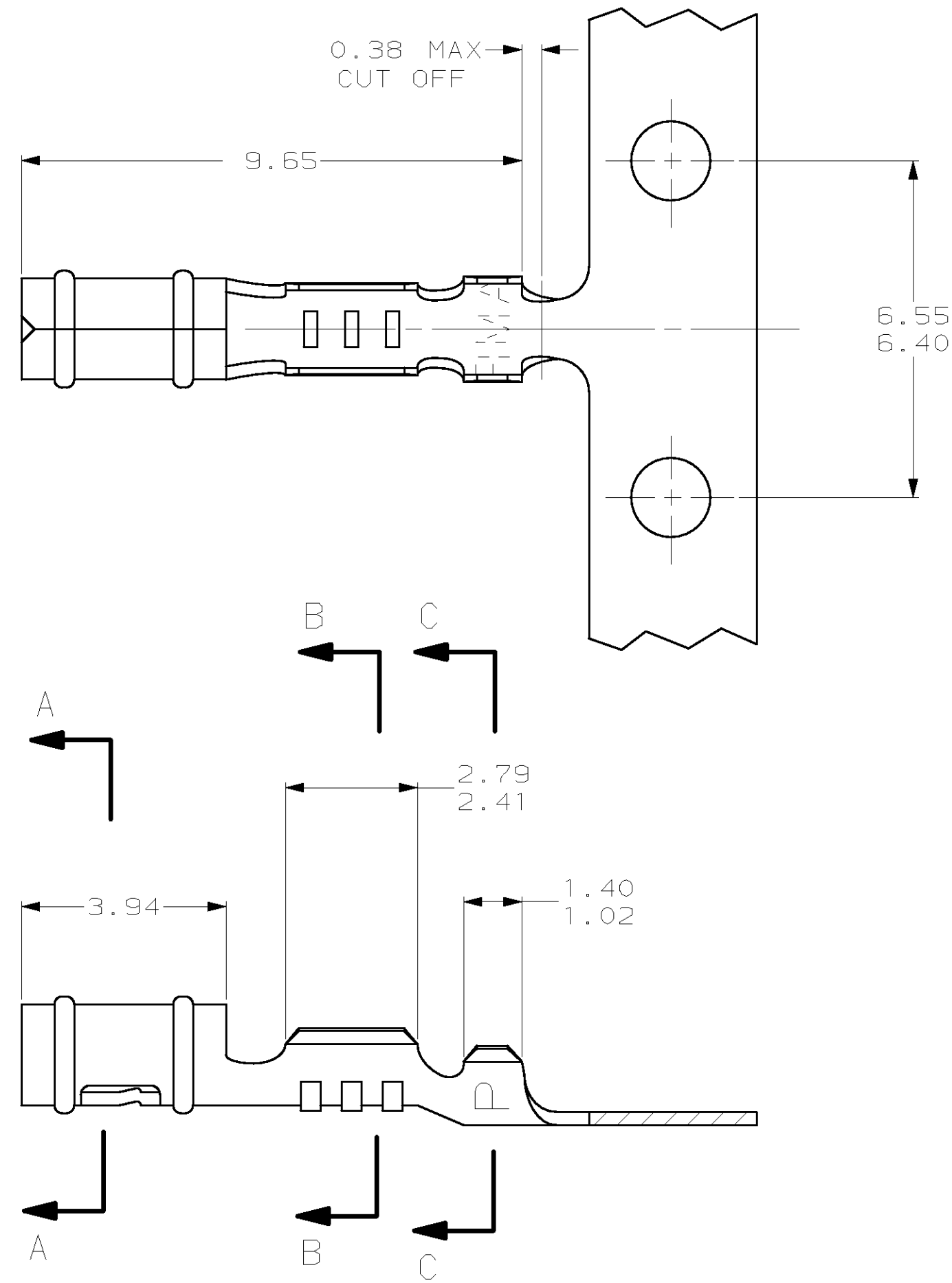


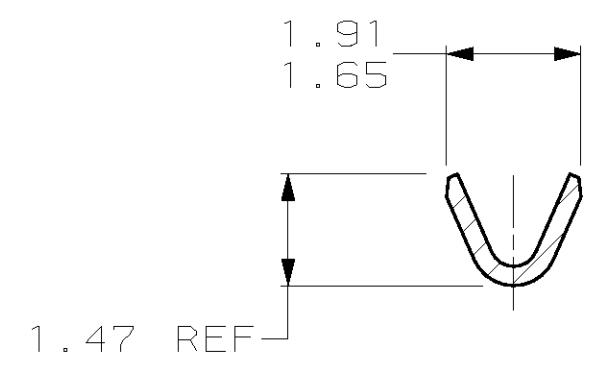
THIS DRAWING IS UNPUBLISHED. RELEASED FOR PUBLICATION .19
 (C) COPYRIGHT 19 BY AMP INCORPORATED. ALL RIGHTS RESERVED.

LOC	DIST	REVISIONS			
P	LTR	DESCRIPTION	DATE	DWN	APVD
CM	52	AG	REV & REDWN PER EC 0L30-0164-97	4-29-97	TB RS

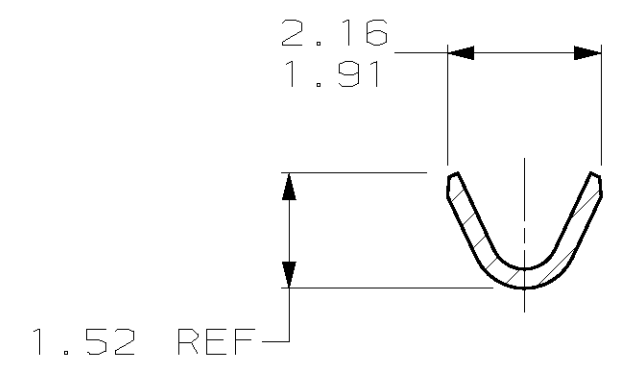
1. WIRE RANGE: 0.08 - 0.15 MM² (28 - 26 AWG)
2. INSULATION RANGE: 0.89 - 1.14
- 3 REVERSED REELED.



SECTION A-A



SECTION B-B



SECTION C-C

PRE-TIN	0.25 PH BRZ	60354-7
PRE-TIN	0.25 PH BRZ	60354-2
FINISH	MATERIAL	PART NUMBER

1.14	.045	1.65	.065	6.40	.252	-	-
1.02	.040	1.52	.060	3.94	.155	-	-
0.89	.035	1.486	.0585	2.79	.110	-	-
0.38	.015	1.47	.058	2.41	.095	-	-
0.25	.010	1.40	.055	2.16	.085	9.65	.380
0.13	.005	1.359	.0535	1.91	.075	6.55	.258
MM	IN	MM	IN	MM	IN	MM	IN

CONVERSION TABLE

METRIC

THIS DRAWING IS A CONTROLLED DOCUMENT.

DIMENSIONS:	TOLERANCES UNLESS OTHERWISE SPECIFIED:	DWN	4-29-97
mm		T. BECK	
		CHK	4-29-97
		R. SWING	
		APVD	8-22-97
		A. BEDDICK	
		PRODUCT SPEC	
		108-1025	
		APPLICATION SPEC	
		114-1008	
MATERIAL	FINISH	WEIGHT	SCALE
SEE TABLE	SEE TABLE	-	10:1

CUSTOMER DRAWING

AMP Incorporated
Harrisburg, PA 17105-3608

RECEPTACLE, .058 DIAMETER,
28-26 AWG, .035-.045
INSULATION, P.C. CONTACT

SIZE: A2 CAGE CODE: 00779 DRAWING NO: 60354 RESTRICTED TO: -

SHEET 1 OF 1 REV AG

单击下面可查看定价，库存，交付和生命周期等信息

[>>TE Connectivity\(泰科\)](#)