

THIS DRAWING IS UNPUBLISHED.

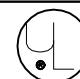
RELEASED FOR PUBLICATION

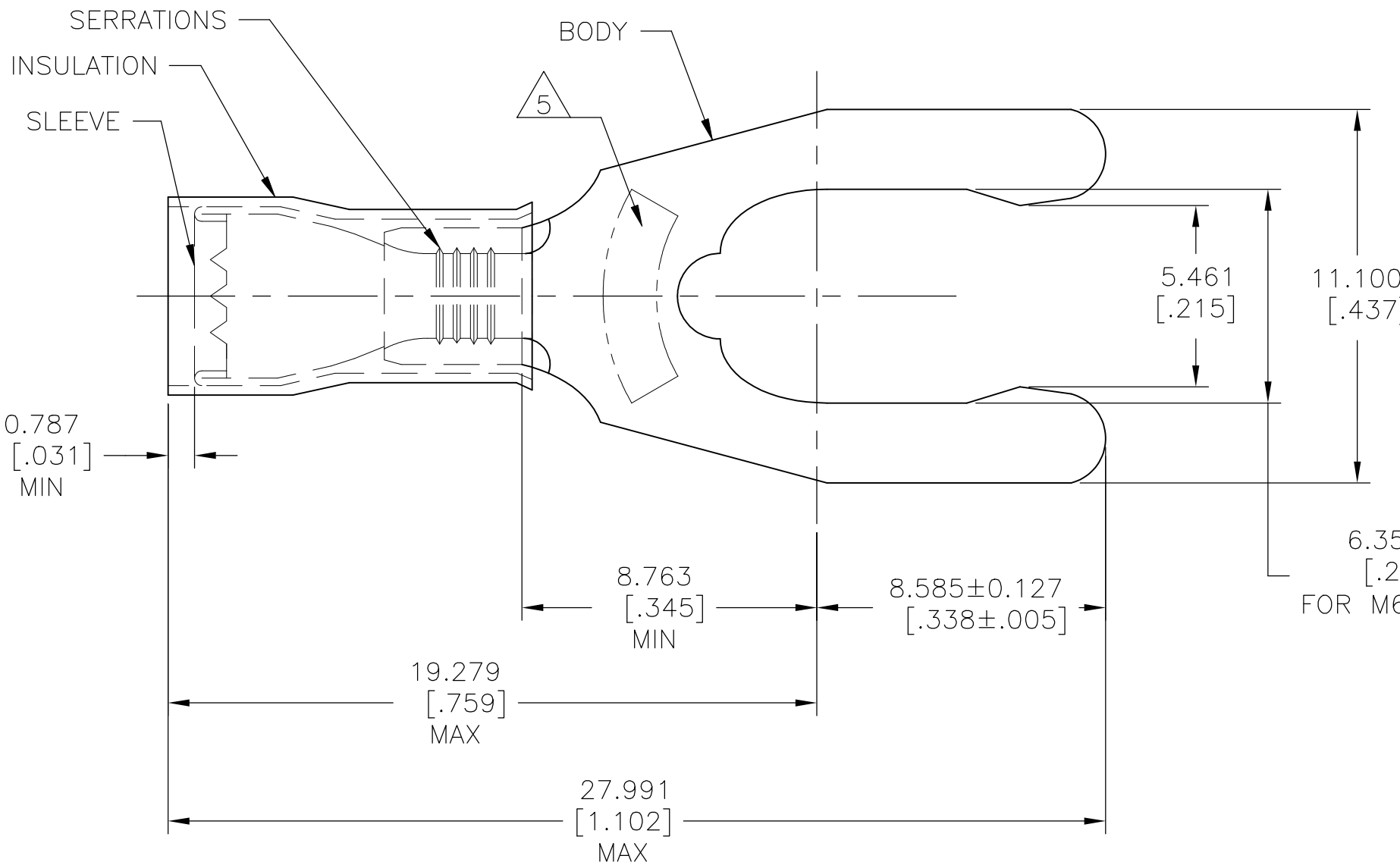
© COPYRIGHT - TE Connectivity Ltd.

ALL RIGHTS RESERVED.

REVISIONS

| P | LTR | DESCRIPTION | DATE | DWN | APVD |
|---|-----|---------------------------|-----------|-----|------|
| | K1 | REDRAWN PER ECR 10-010105 | 28JUN10 | JR | TM |
| | K2 | REVISED PER ECO-17-008114 | 31MAY2018 | RS | DR |

| | |
|--------------------------------|--|
| AMP WIRE RANGE |  E13288 Listed |
| 16-14 AWG SOLID OR STRANDED | 16-14 AWG SOLID OR STRANDED |



- 1 WIRE INSULATION DIA, SEE TABLE "A"
- 2 BODY MATL THK, 0.787±0.051 [.031±.002].
- 3 BODY: PHOS BRONZE PER ASTM B103
INSULATION: NYLON
SLEEVE: COPPER PER ASTM B152
- 4 BODY: TIN PLATE PER ASTM B545
SLEEVE: TIN PLATE PER ASTM B545
INSULATION: COLOR-BLUE
- 5 STAMP 1/4 S AMP 16-14* APPROX AS SHOWN

| | | | |
|----------------------------|------|--------------|---------|
| 2.667-3.810 [.105-.150] | 1000 | LOOSE PIECE | 52423 |
| DIM "A" | QTY | PACKAGE TYPE | PART NO |

AMP INCORPORATED
CUSTOMER SERVICE SYSTEMS

THIS DRAWING IS A CONTROLLED DOCUMENT.

DWN jr ruth 28JUN10

CHK TOM MICHIELUTTI 28JUN10

APVD TOM MICHIELUTTI 28JUN10

 TE Connectivity Ltd.

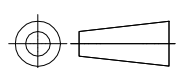
FOR ADDITIONAL
PRODUCT INFORMATION OR
COPIES OF DRAWINGS
AND TECHNICAL DOCUMENTS

PRODUCT INFORMATION CENTER
1-800-522-6752

MAX RECOMMENDED OPERATING
TEMPERATURE:
105°C [221°F]

VOLTAGE RATING:
300 V MAX

DIMENSIONS:
mm [INCHES]



TOLERANCES UNLESS
OTHERWISE SPECIFIED:

| | |
|--------|---------------|
| 0 PLC | ± - |
| 1 PLC | ± - |
| 2 PLC | ± - |
| 3 PLC | ± 0.127[.005] |
| 4 PLC | ± - |
| ANGLES | ± 5° |

PRODUCT SPEC
UL 486 A-B

APPLICATION SPEC
114-2157

WEIGHT

NAME
TERMINAL, PIDG, SPRING SPADE,
WIRE SIZE: 16-14

FOR APPLICATION
TOOLING INFORMATION

TOOLING ASSISTANCE CENTER
1-800-722-1111

WIRE CROSS SECTIONAL AREA RANGE,
1.04-2.62mm²[2,050-5,180] CIR MILS
SOLID OR STRANDED

MATERIAL
3

FINISH
4

CUSTOMER DRAWING

| | | | |
|------|-----------|------------|---------------|
| SIZE | CAGE CODE | DRAWING NO | RESTRICTED TO |
| A3 | 00779 | C-52423 | - |

FOR ORDER ENTRY
1-800-526-5142

SCALE 6:1 SHEET 1 OF 1 REV K2

单击下面可查看定价，库存，交付和生命周期等信息

[>>TE Connectivity\(泰科\)](#)