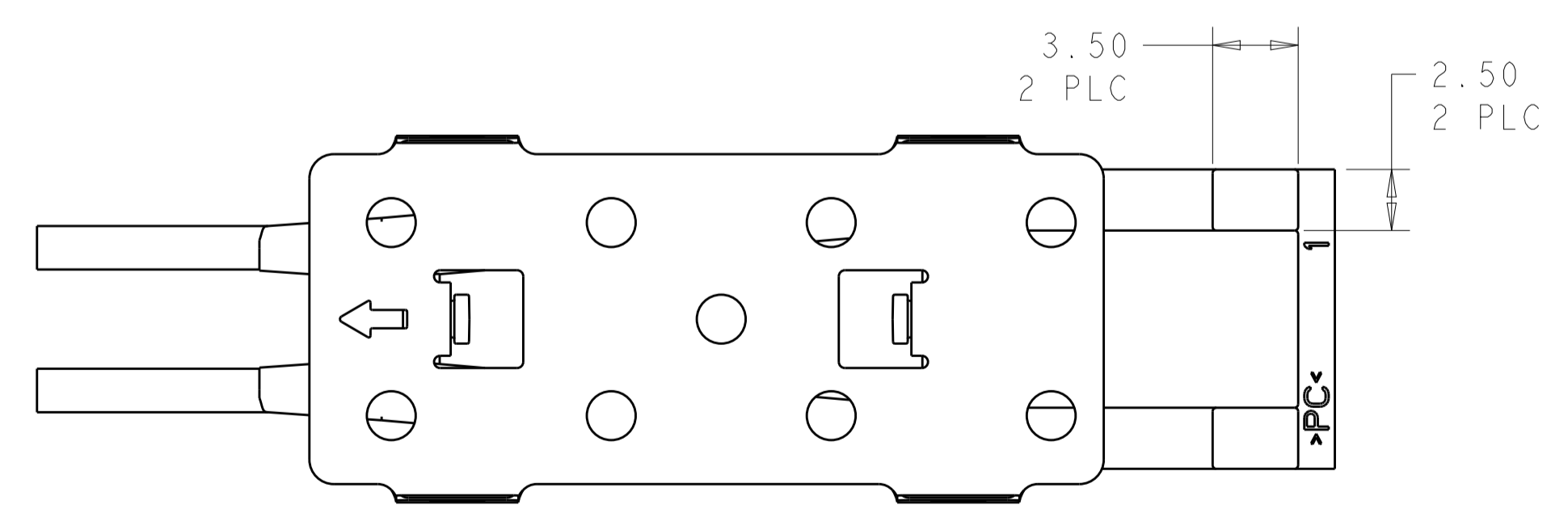
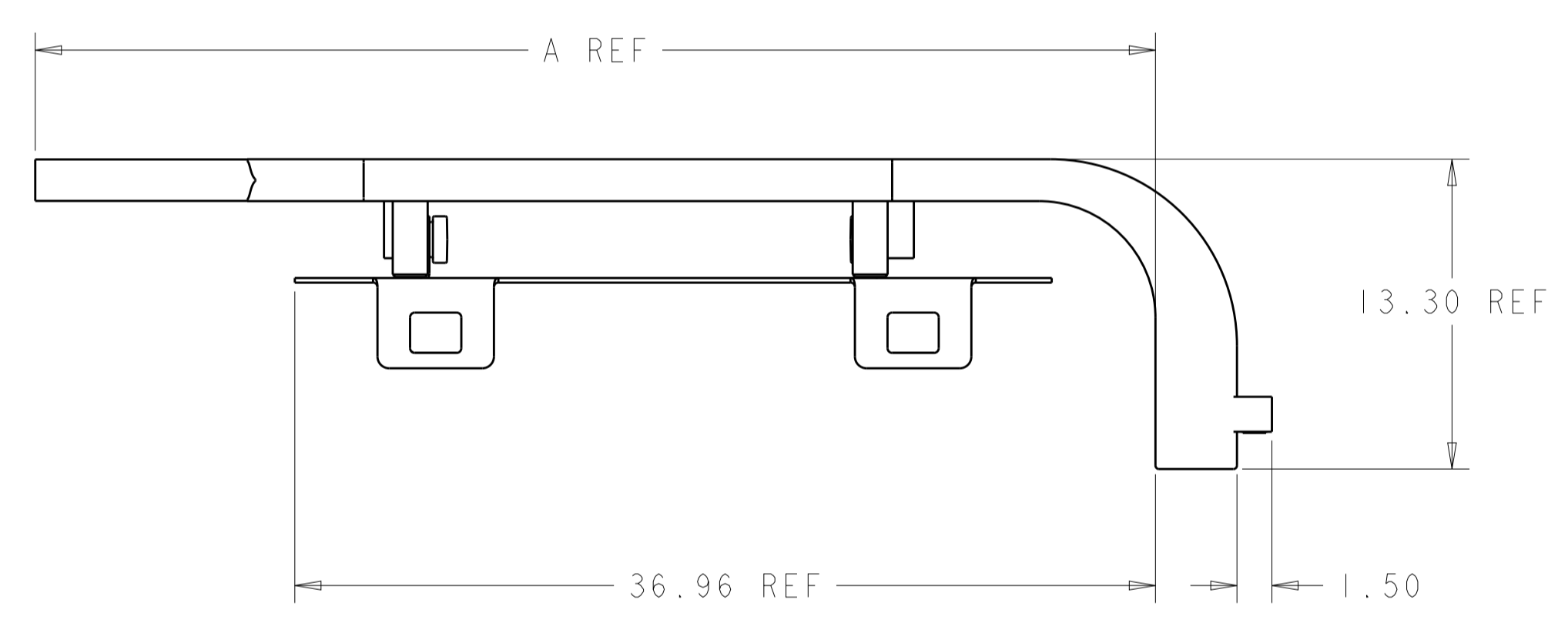
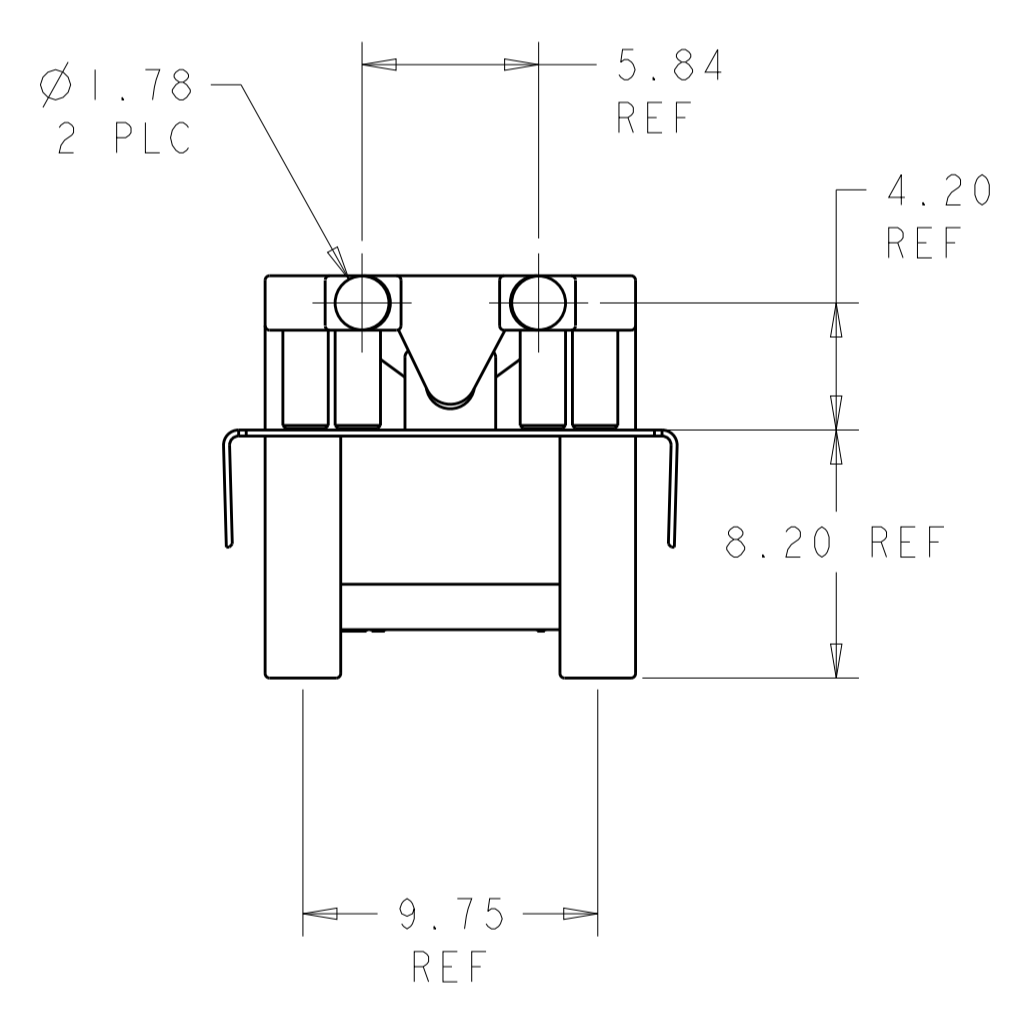
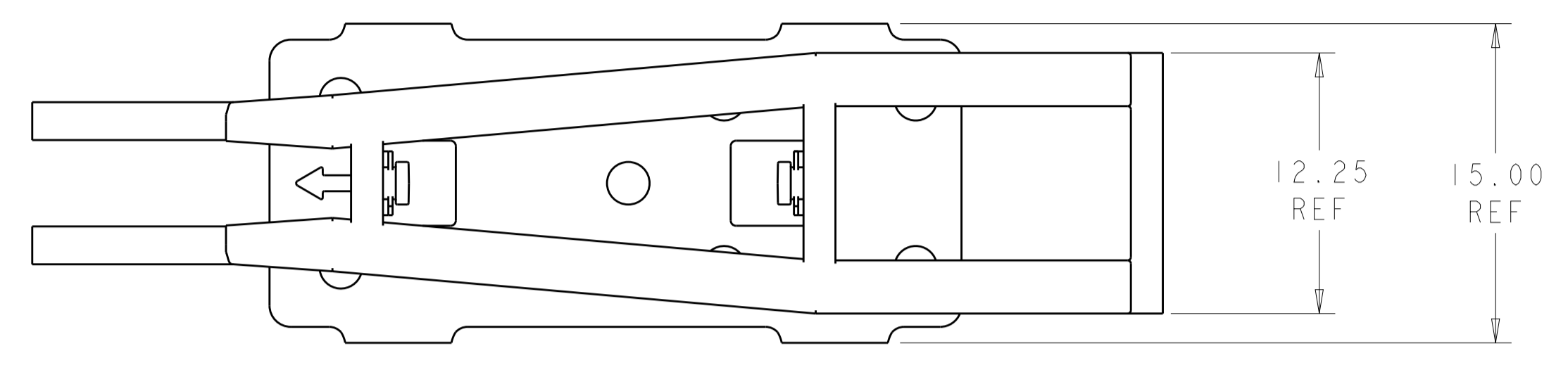
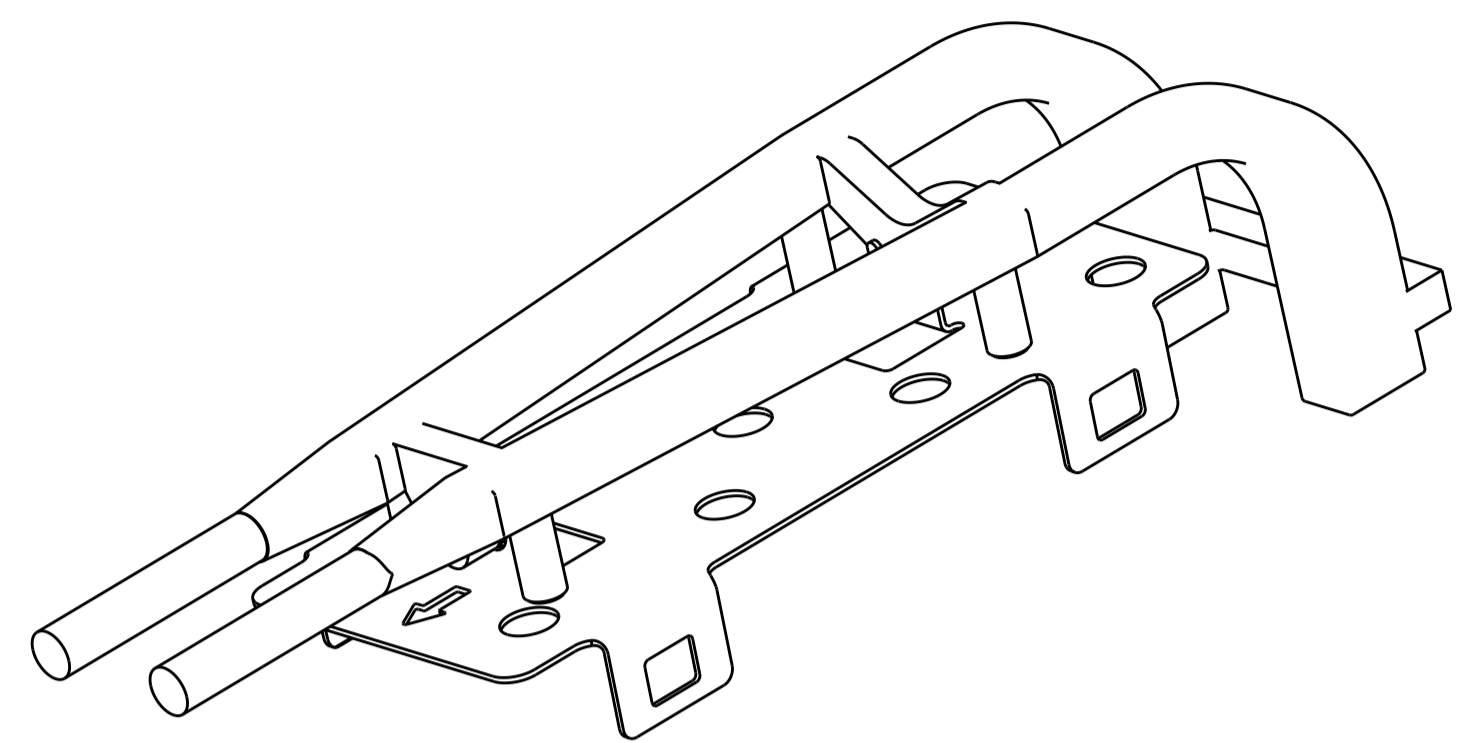


LOC	DIST	REVISIONS					
		P.	LTN	DESCRIPTION	DATE	DWN	APVD
ES	00	B		ECO-08-002182	14JAN08	ML	SY
		C		REVISED PER ECO-12-003825	17FEB2012	JY	AC
		D		REVISED PER ECO-19-001591	31JAN2019	ES	SH

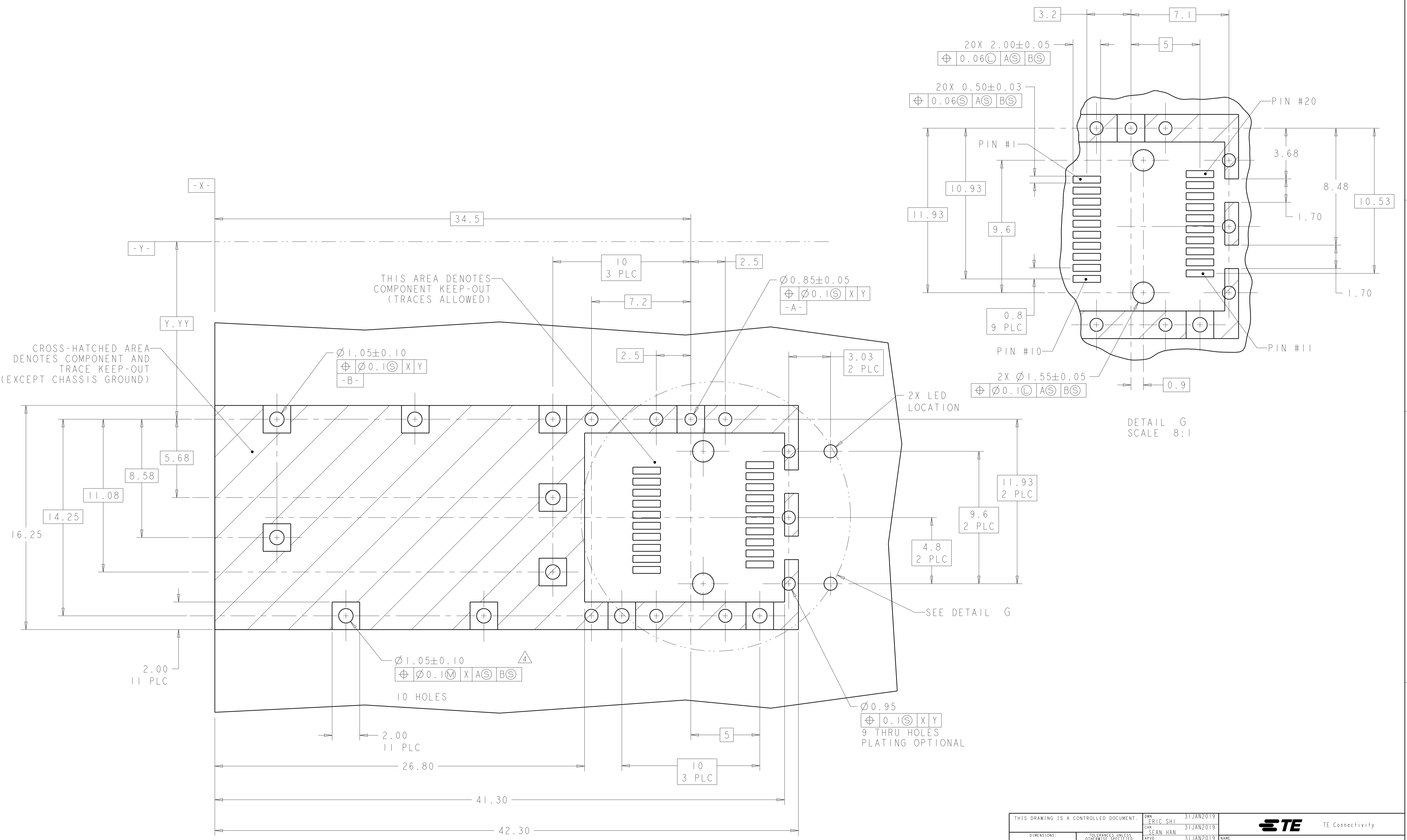


1. MATERIAL:
 LIGHTPIPE: POLYCARBONATE, CLEAR
 LIGHTPIPE BRACKET: STAINLESS STEEL.

46.90	1367627-8
47.00	1367627-2
48.10	1367627-1
DIM A	PART NUMBER

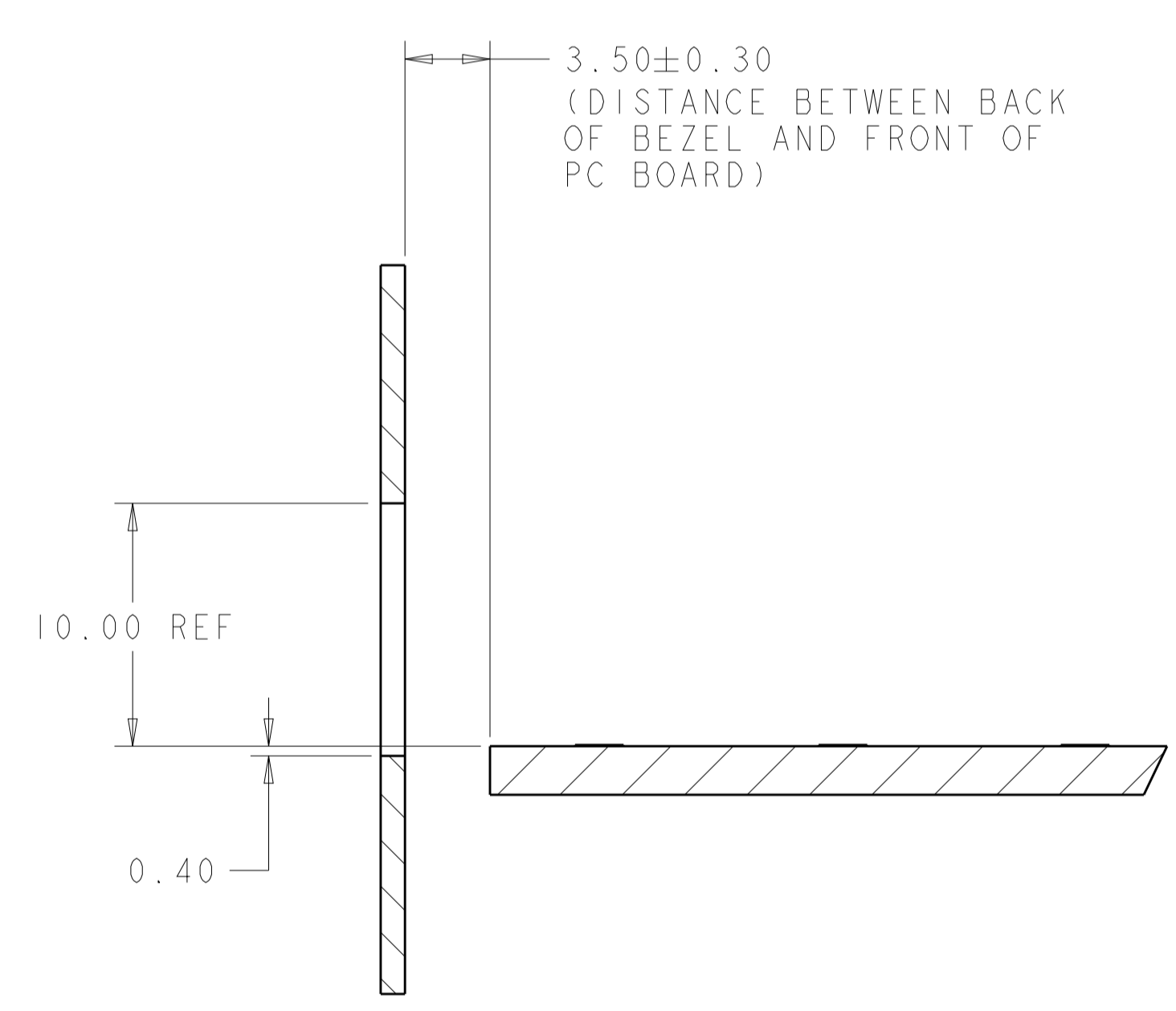
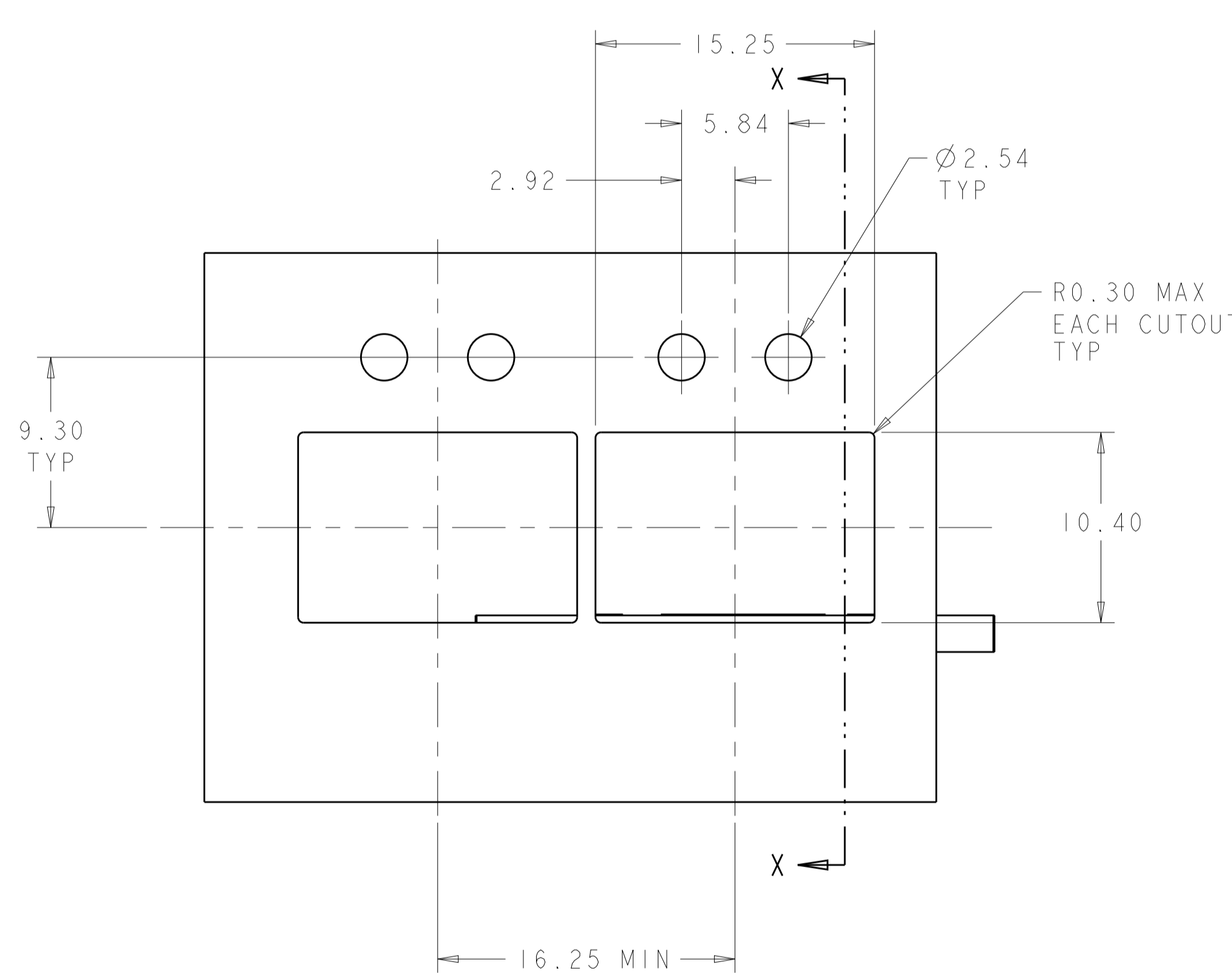
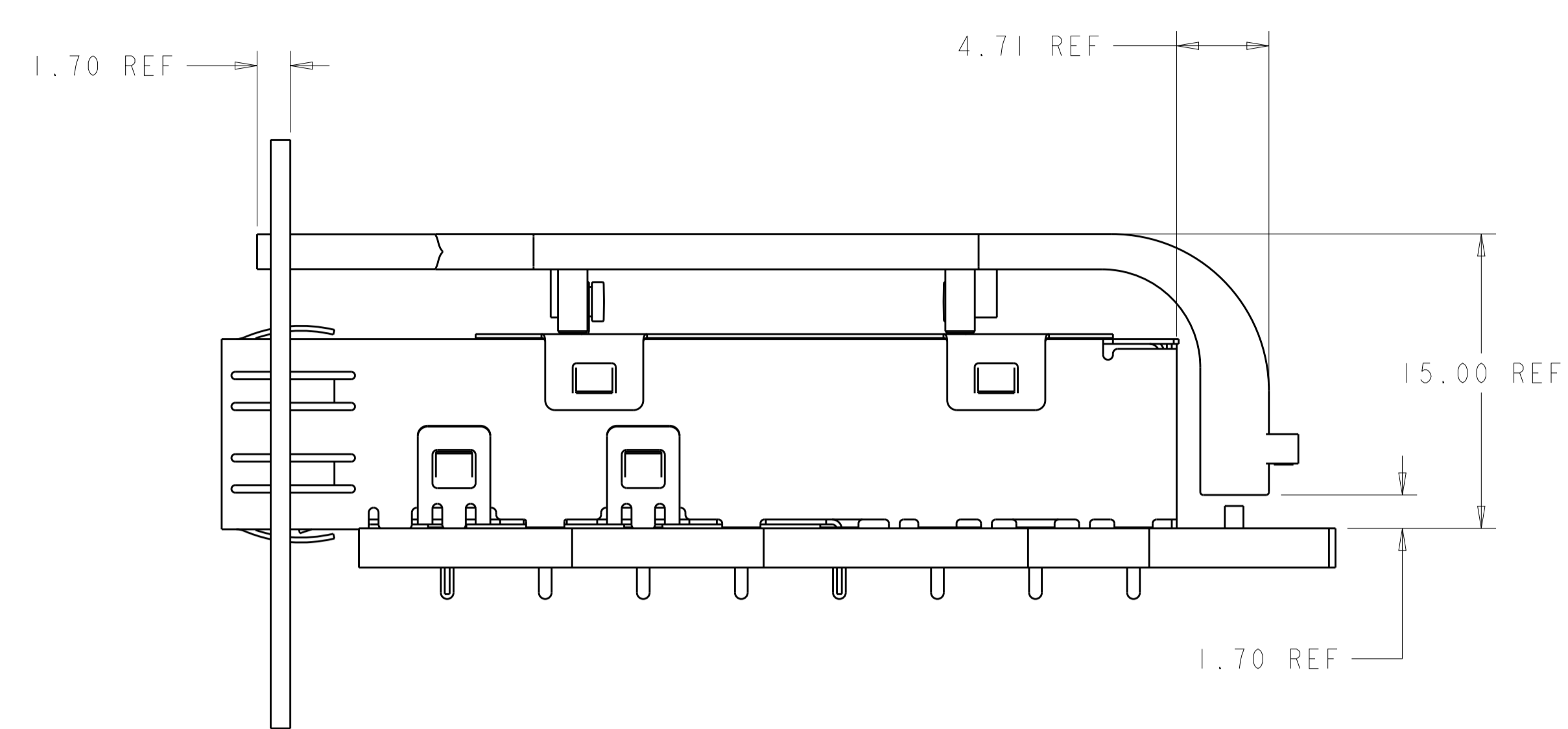
THIS DRAWING IS A CONTROLLED DOCUMENT.		DWN: ERIC SHI 31JAN2019	TE Connectivity LIGHT PIPE ASSEMBLY FOR IXI SFP
DIMENSIONS: mm		CHK: SEAN HAN 31JAN2019	
TOLERANCES UNLESS OTHERWISE SPECIFIED:		APVD: SEAN HAN 31JAN2019	NAME: -
0 PLC	±	PRODUCT SPEC	SIZE: A1
1 PLC	±0.10	APPLICATION SPEC	CAGE CODE: 1367627
2 PLC	±	FINISH	RESTRICTED TO: -
3 PLC	±	WEIGHT	SCALE: 2:1
4 PLC	±	CUSTOMER DRAWING	SHEET 1 OF 3
ANGLES	±		REV D

LOC		DIST		REVISIONS			
ES	00	P	LTH	DESCRIPTION	DATE	OWN	APVD
		-		SEE SHEET 1			



THIS DRAWING IS A CONTROLLED DOCUMENT.		OWN	ERIC SHI	31JAN2019	TE Connectivity
		CHK	SEAN HAN	31JAN2019	
		APVD	SEAN HAN	31JAN2019	NAME
					PRODUCT SPEC
					APPLICATION SPEC
					SIZE
					CAGE CODE
					DRAWING NO
					RESTRICTED TO
					A100779C=1367627
					SCALE
					2:1
					SHEET
					2 OF 3
					REV
					D

LOC		DIST		REVISIONS			
P	LTN	DESCRIPTION	DATE	DMN	APVD		
-	-	SEE SHEET 1	-	-	-		



SECTION X-X

RECOMMENDED BEZEL CUTOUT AND PC BOARD-BEZEL POSITION

THIS DRAWING IS A CONTROLLED DOCUMENT.		DMN: ERIC SHI 31JAN2019	TE Connectivity
DIMENSIONS: mm		CHK: SEAN HAN 31JAN2019	
TOLERANCES UNLESS OTHERWISE SPECIFIED:		APVD: SEAN HAN 31JAN2019	NAME: -
0 PLC	±	PRODUCT SPEC	LIGHT PIPE ASSEMBLY FOR IXI SFP
1 PLC	±0.10	APPLICATION SPEC	SIZE: A100779 C=1367627
2 PLC	±	WEIGHT	RESTRICTED TO
3 PLC	±	CUSTOMER DRAWING	SCALE: 2:1 SHEET 3 OF 3 REV D
4 PLC	±		
ANGLES	±		
FINISH	-		

单击下面可查看定价，库存，交付和生命周期等信息

[>>TE Connectivity\(泰科\)](#)