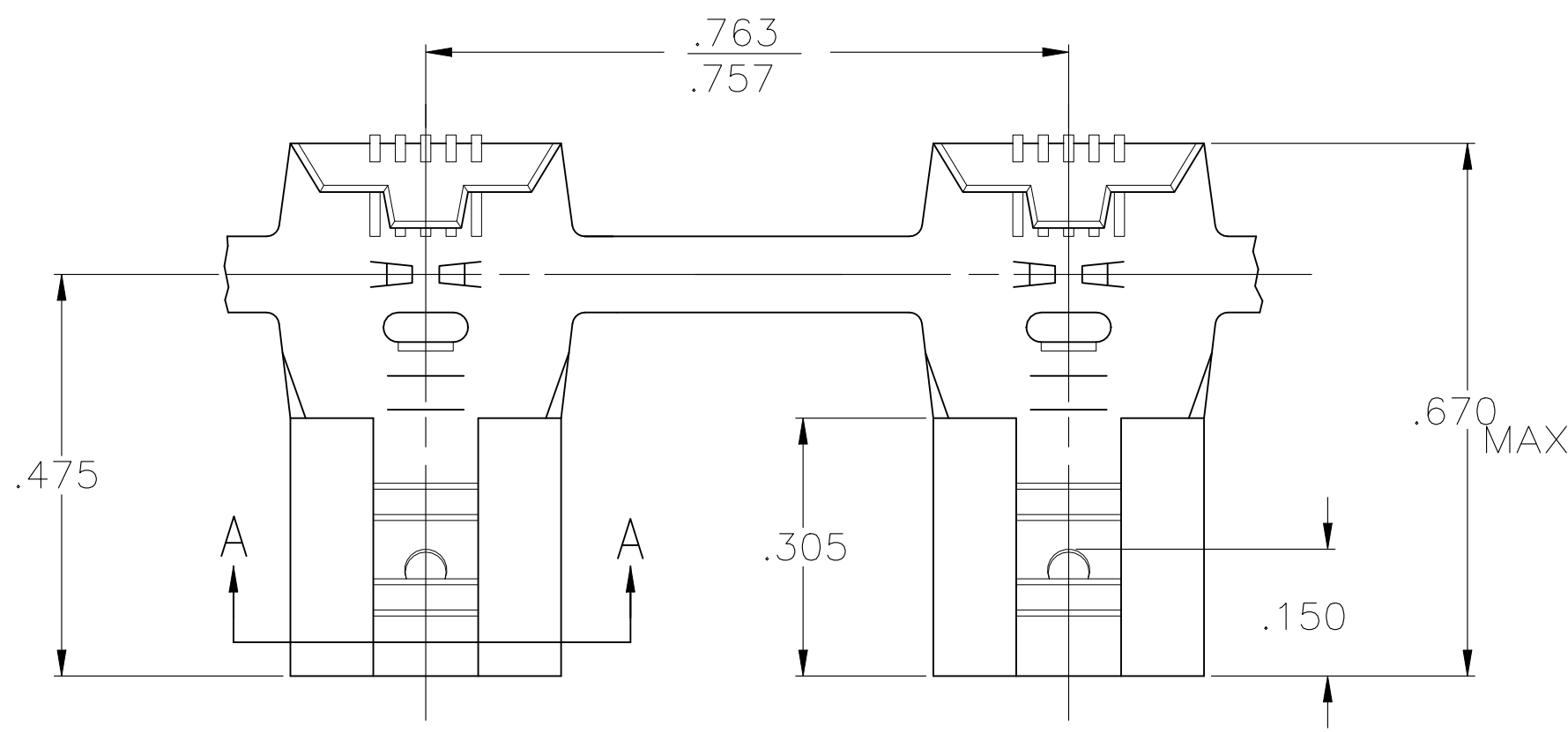
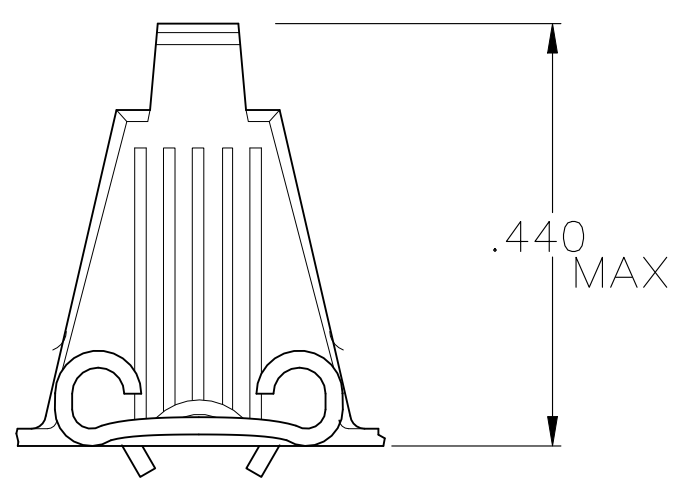
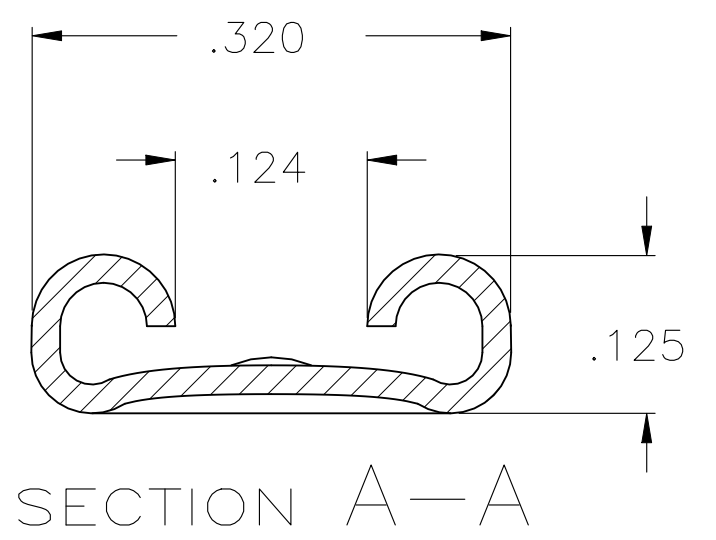


THIS DRAWING IS UNPUBLISHED. RELEASED FOR PUBLICATION
 © COPYRIGHT - By - ALL RIGHTS RESERVED.

LOC	DIST	REVISIONS					
AF	50	P	LTR	DESCRIPTION	DATE	DWN	APVD
			Z	REVISED PER ECR-21-100525	08MAR2021	PC	DH


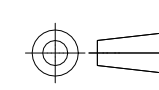


1 CONTINUOUS STRIP ON REELS.



OBSOLETE

REV.	REEL	L.H.	12-10	.032 ±.001	TIN	.018 PHOS. BRONZE	62057-8
REV.	REEL	L.H.	12-10	.032 ±.001	SILVER OVER NICKEL	.018 PHOS. BRONZE	62057-7
REV.	REEL	L.H.	12-10	.032 ±.001		.018 BRASS	62057-6
			12-10	.032 ±.001	TIN	.018 PHOS. BRONZE	62057-5
REV.	REEL	L.H.	12-10	.032 ±.001	TIN	BRASS	62057-4
			12-10	.032 ±.001	TIN	BRASS	62057-3
			12-10	.032 ±.001	SILVER OVER NICKEL	.018 PHOS. BRONZE	62057-1
	REELING		WIRE SIZE	TAB THK	FINISH	MATERIAL	PART NUMBER

THIS DRAWING IS A CONTROLLED DOCUMENT.		DWN	JR RUTH	2/3/86	 TE Connectivity
DIMENSIONS: INCHES		CHK	R KUZO	2/7/86	
		APVD	C MEYERS	2/7/86	
TOLERANCES UNLESS OTHERWISE SPECIFIED:		NAME		.250 SERIES FLAG FASTON RECEPTACLE	
0 PLC ± -		PRODUCT SPEC			
1 PLC ± -		APPLICATION SPEC			
2 PLC ± -		SIZE	A3	CAGE CODE	00779
3 PLC ± .015		DRAWING NO	C-62057		RESTRICTED TO
4 PLC ± -		WEIGHT	-		
ANGLES ± -		CUSTOMER DRAWING			
MATERIAL SEE TABLE		FINISH SEE TABLE		SCALE	1:1
				SHEET	1 OF 1
				REV	Z

单击下面可查看定价，库存，交付和生命周期等信息

[>>TE Connectivity\(泰科\)](#)