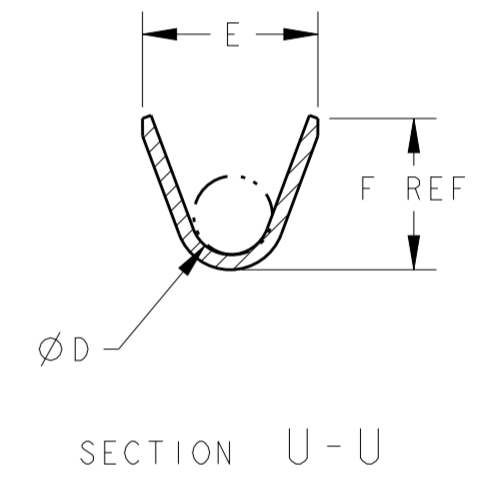
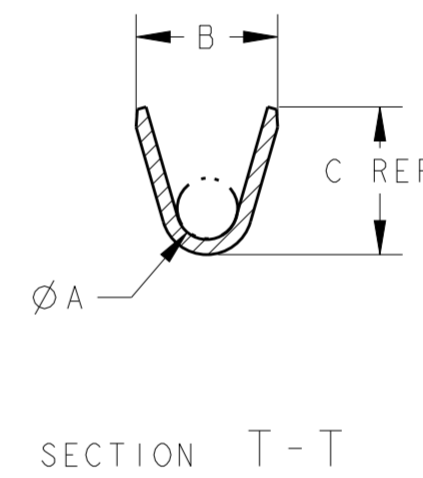
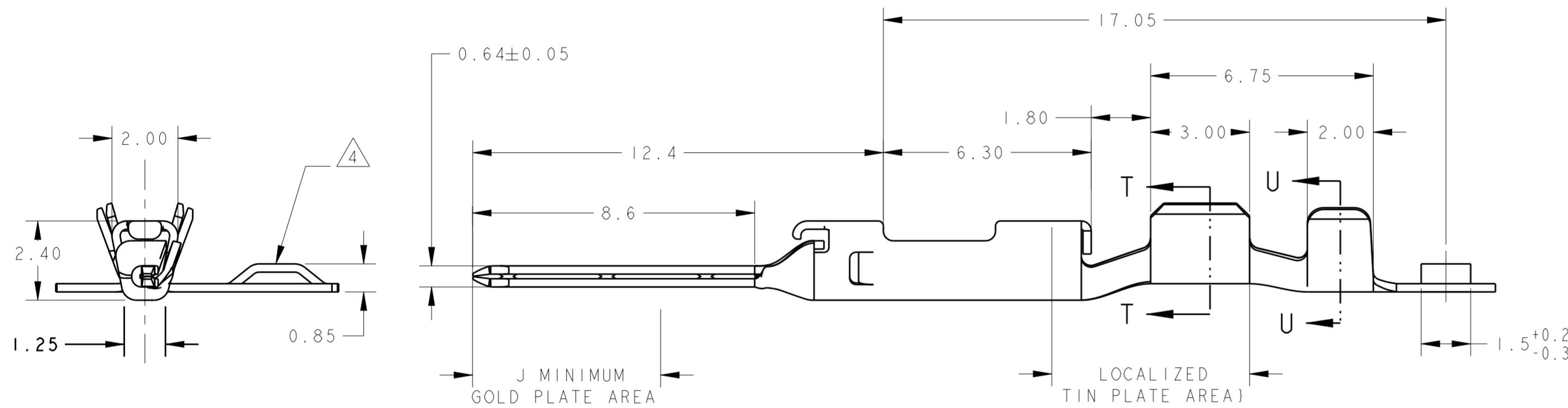
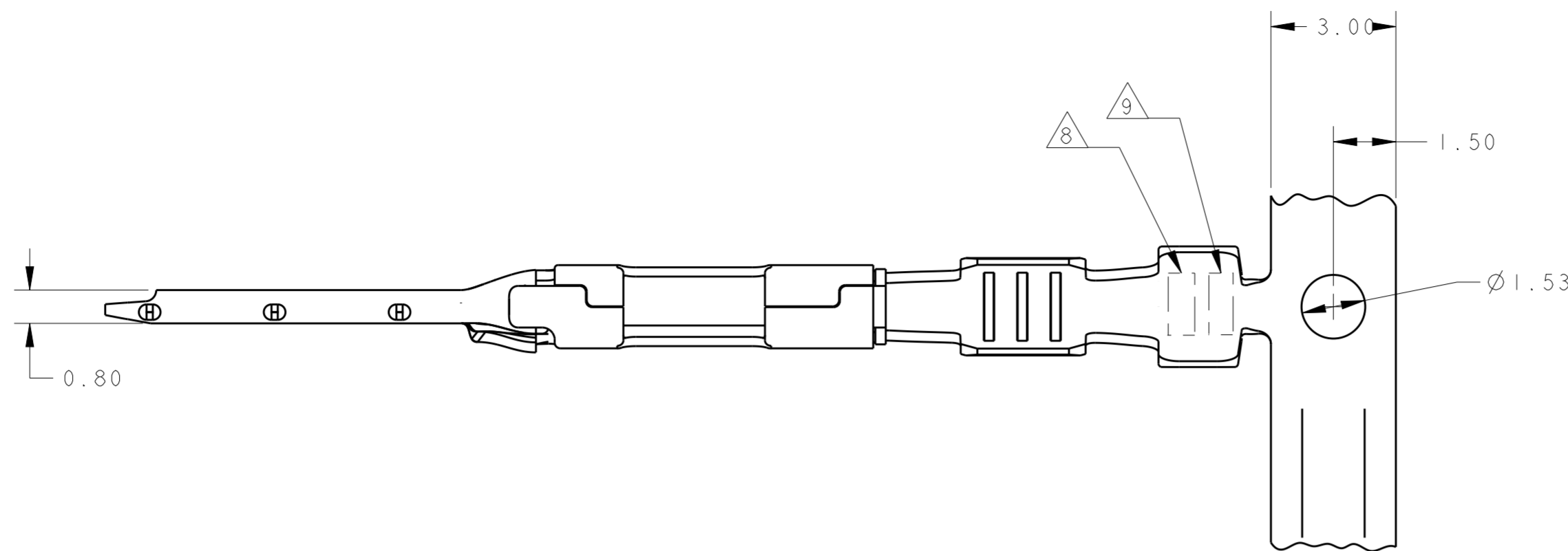
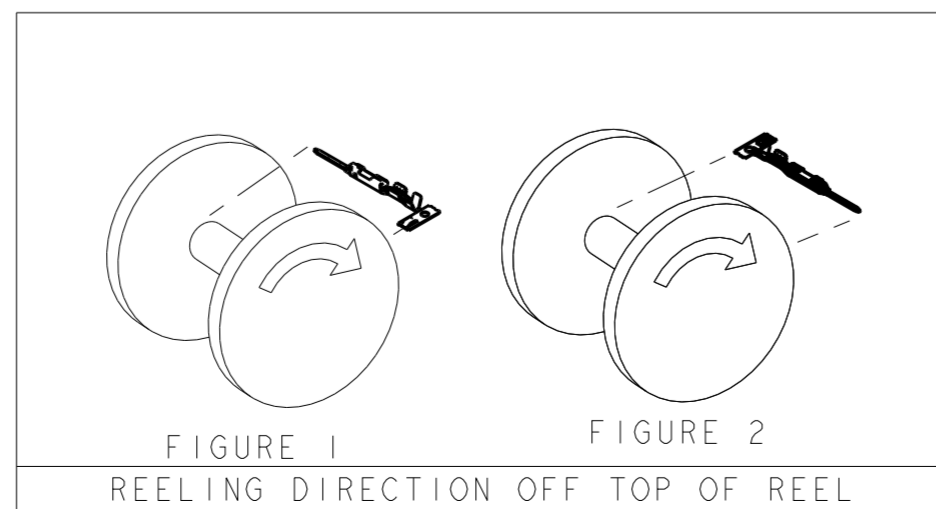


| REVISIONS | | | | | |
|-----------|-----|---------------------------|-----------|-----|------|
| P | LTR | DESCRIPTION | DATE | DWN | APVD |
| 0 | | EC 0K80-0282-01 | 23OCT01 | FK | AE |
| A | | REVISED PER ECO-20-013012 | 16SEP2020 | AP | AH |



- 1 MATERIAL: 0.25 THK BRASS
- 2 FINISH: 0.0025 MIN THK TIN IN LOCALIZED TIN PLATE AREA AND 0.00076 MIN THK GOLD IN GOLD PLATE AREA, ALL OVER 0.002 MIN THK NICKEL.
- 3 FOR USE WITH SHUNTED CONNECTOR.
- 4 FEATURE ON CARRIER STRIP IS RAISED TO INDICATE GOLD PLATED PRODUCT FEATURE APPEARS ADJACENT TO EVERY OTHER CONTACT MIN.
- 5 SEE FIGURE 1 FOR REELING DIRECTION.
- 6 SEE FIGURE 2 FOR REELING DIRECTION.
- 7. TERMINAL LUBRICATED WITH CHEMLUB 1102.
- 8 AMP TRADEMARK STAMPED IN THIS APPROXIMATE LOCATION. OPPOSITE SIDE.
- 9 WEEK CODE (YWW) STAMPED IN THIS APPROXIMATE LOCATION. OPPOSITE SIDE.
- 10 OBSOLETE PART



| 5.70 | 1.80 | 2.40 | 1.30 | 1.90 | 1.90 | 0.80 | 6 | 22 | 1488208-8 |
|-------|-------|-------|-------|-------|-------|-------|---------|-----------|-------------------------|
| 5.70 | 2.50 | 2.90 | 1.30 | 2.40 | 2.30 | 1.00 | | 18-20 | 1488208-7 |
| 7.00 | 1.80 | 2.40 | 1.30 | 1.90 | 1.90 | 0.80 | | 22 | 1488208-6 |
| 7.00 | 2.50 | 2.90 | 1.30 | 2.40 | 2.30 | 1.00 | 5 | 18-20 | 1488208-5 |
| 7.00 | 1.80 | 2.40 | 1.30 | 1.90 | 1.90 | 0.80 | | 22 | 1488208-4 10 |
| 7.00 | 2.50 | 2.90 | 1.30 | 2.40 | 2.30 | 1.00 | | 18-20 | 1488208-3 |
| 5.70 | 1.80 | 2.40 | 1.30 | 1.90 | 1.90 | 0.80 | 22 | 1488208-2 | |
| 5.70 | 2.50 | 2.90 | 1.30 | 2.40 | 2.30 | 1.00 | 18-20 | 1488208-1 | |
| DIM J | DIM F | DIM E | DIM D | DIM C | DIM B | DIM A | REELING | WIRE SIZE | PART NUMBER |

THIS DRAWING IS A CONTROLLED DOCUMENT.

| | | | | |
|-------------|--|------------------|-------------|---------|
| DIMENSIONS: | TOLERANCES UNLESS OTHERWISE SPECIFIED: | DWN | F. KINSEY | 23OCT01 |
| mm | 0 PLC ±.3 | CHK | A. EBRAHEEM | 23OCT01 |
| | 1 PLC ±.3 | APVD | J. MYER | 23OCT01 |
| | 2 PLC ±0.2 | PRODUCT SPEC | | |
| | 3 PLC ±.2 | APPLICATION SPEC | 114-13006 | |
| | 4 PLC ±. | WEIGHT | | |
| | ANGLES ±2° | FINISH | | |
| MATERIAL | | | | |
| material_2 | finish_spec_2 | CUSTOMER DRAWING | | |

CONTACT, MALE, 0.64MM, GOLD PLATED

SIZE: A2 CAGE CODE: 0779 DRAWING NO: C-1488208

SCALE: 8:1 SHEET: 1 OF 1 REV: A

单击下面可查看定价，库存，交付和生命周期等信息

[>>TE Connectivity\(泰科\)](#)